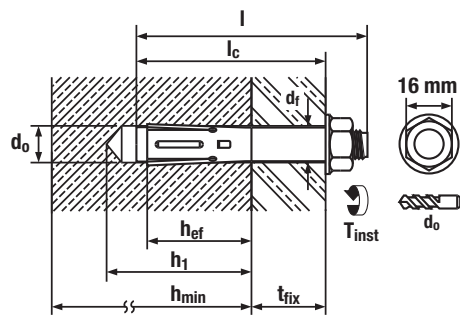
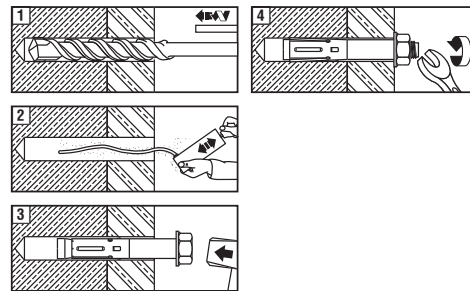


Anchor Size		Anchor Size			
		12x55/15	12x75/35	12x100/60	
Setting details					
d	Thread diameter	M10			
d <sub>o</sub>	Drill bit diameter	mm	12		
h <sub>1</sub>	min. Borehole depth	mm	56		
h <sub>ef</sub>	Min. Effective Anchorage depth	mm	33		
l	Total Anchor length	mm	65	85	110
l <sub>c</sub>	Anchor length under washer	mm	55	75	100
t <sub>fix</sub>	Max Fixing length	mm	15	35	60
T <sub>inst</sub>	Tightening torque concrete	Nm	40		
T <sub>inst</sub>	Tightening torque masonry	Nm	20		
d <sub>f</sub>	Clearance hole	mm	14		
h <sub>min</sub>	Minimum base material thickness	mm	100		



386348