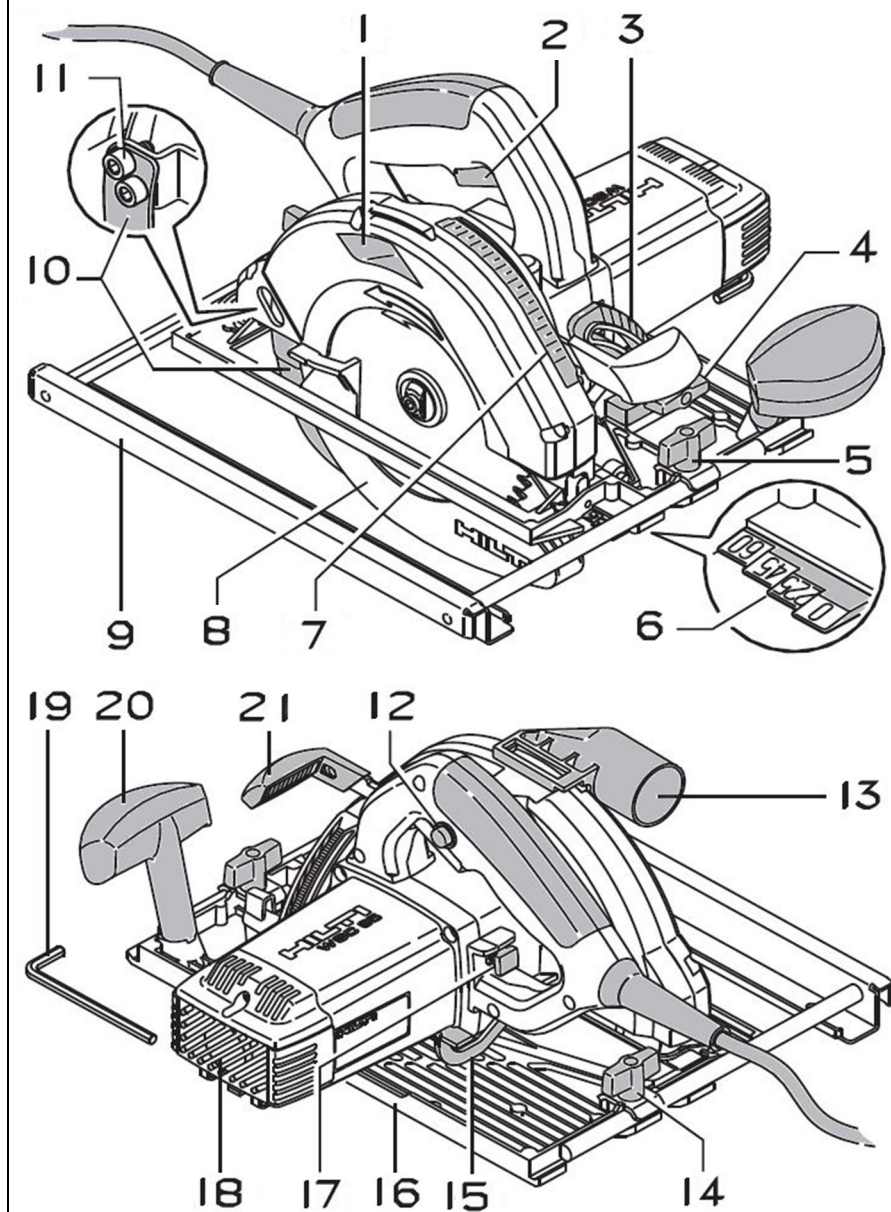


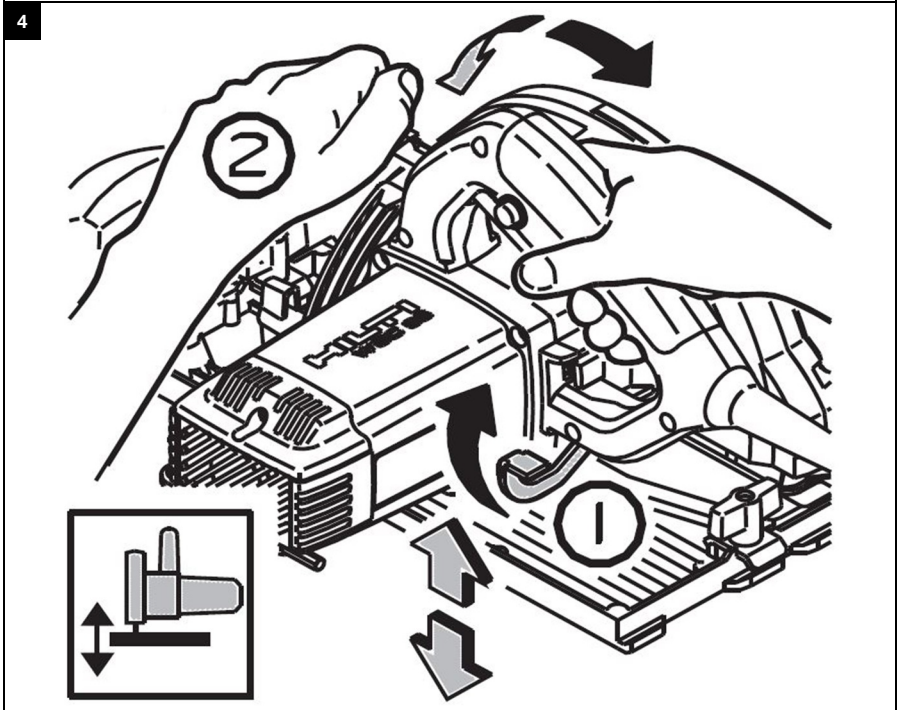
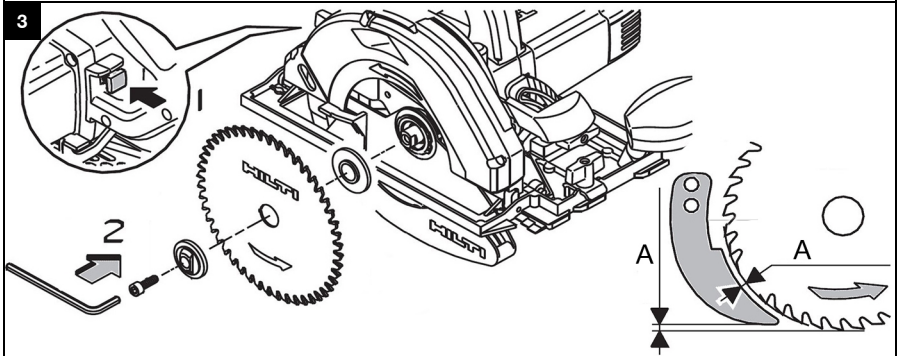
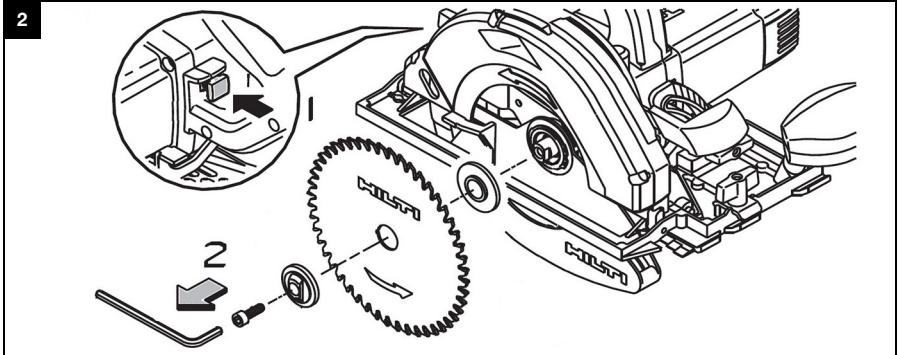


WSC 85

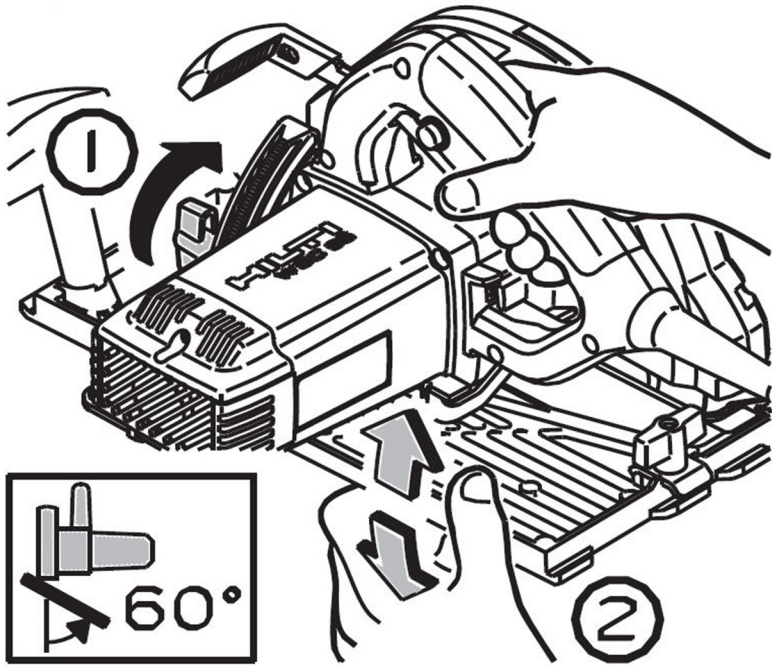
English
עברית

1
12

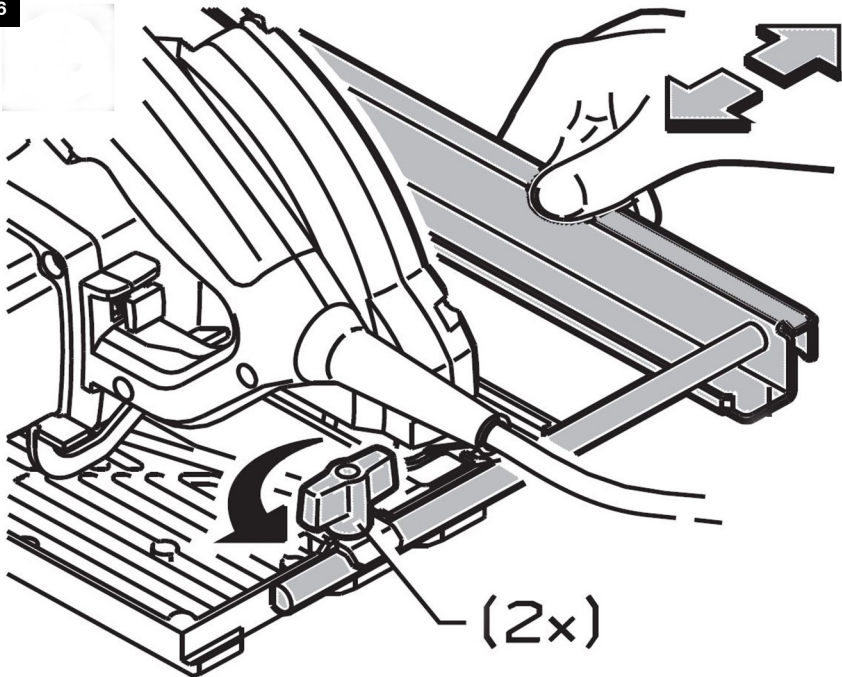




5



6



1 Information about the documentation

1.1 About this documentation

- Read this documentation before initial operation or use. This is a prerequisite for safe, trouble-free handling and use of the product.
- Observe the safety instructions and warnings in this documentation and on the product.
- Always keep the operating instructions with the product and make sure that the operating instructions are with the product when it is given to other persons.

1.2 Explanation of symbols used

1.2.1 Warnings

Warnings alert persons to hazards that occur when handling or using the product. The following signal words are used:



DANGER !

- ▶ Draws attention to imminent danger that will lead to serious personal injury or fatality.



WARNING !

- ▶ Draws attention to a potential threat of danger that can lead to serious injury or fatality.



CAUTION !

- ▶ Draws attention to a potentially dangerous situation that could lead to slight personal injury or damage to the equipment or other property.

1.2.2 Symbols in the documentation

The following symbols are used in this document:

	Read the operating instructions before use.
	Instructions for use and other useful information
	Dealing with recyclable materials
	Do not dispose of electric equipment and batteries as household waste

1.2.3 Symbols in the illustrations

The following symbols are used in illustrations:

	These numbers refer to the corresponding illustrations found at the beginning of these operating instructions
3	The numbering reflects the sequence of operations shown in the illustrations and may deviate from the steps described in the text
	Item reference numbers are used in the overview illustrations and refer to the numbers used in the product overview section
	This symbol is intended to draw special attention to certain points when handling the product.

1.3 Product-dependent symbols

1.3.1 Symbols

The following symbols can be used on the product:



n_0	Rated speed under no load
	Alternating current
/min	Revolutions per minute
RPM	Revolutions per minute
\varnothing	Diameter
	Wireless data transfer
	Protection class II (double-insulated)

1.4 Product information

HILTI products are designed for professional users and only trained, authorized personnel are permitted to operate, service and maintain the products. This personnel must be specifically informed about the possible hazards. The product and its ancillary equipment can present hazards if used incorrectly by untrained personnel or if used not in accordance with the intended use.

The type designation and serial number are printed on the rating plate.

- ▶ Write down the serial number in the table below. You will be required to state the product details when contacting Hilti Service or your local Hilti organization to inquire about the product.

Product information

Type:	WSC 85
Generation:	01
Serial no.:	

1.5 Declaration of conformity

We declare, on our sole responsibility, that the product described here complies with the applicable directives and standards. A copy of the declaration of conformity can be found at the end of this documentation.

The technical documentation is filed here:

Hilti Entwicklungsgesellschaft mbH | Tool Certification | Hiltistrasse 6 | 86916 Kaufering, Germany

2 Safety

2.1 General power tool safety warnings

⚠ WARNING Read all safety warnings, instructions, illustrations and specifications provided with this power tool. Failure to follow all instructions listed below may result in electric shock, fire and/or serious injury. **Save all warnings and instructions for future reference.**

The term "power tool" in the warnings refers to your mains-operated (corded) power tool or battery-operated (cordless) power tool.

Work area safety

- ▶ **Keep work area clean and well lit.** Cluttered or dark areas invite accidents.
- ▶ **Do not operate power tools in explosive atmospheres, such as in the presence of flammable liquids, gases or dust.** Power tools create sparks which may ignite the dust or fumes.
- ▶ **Keep children and bystanders away while operating a power tool.** Distractions can cause you to lose control.

Electrical safety

- ▶ **Power tool plugs must match the outlet. Never modify the plug in any way. Do not use any adapter plugs with earthed (grounded) power tools.** Unmodified plugs and matching outlets will reduce risk of electric shock.
- ▶ **Avoid body contact with earthed or grounded surfaces, such as pipes, radiators, ranges and refrigerators.** There is an increased risk of electric shock if your body is earthed or grounded.
- ▶ **Do not expose power tools to rain or wet conditions.** Water entering a power tool will increase the risk of electric shock.



- ▶ **Do not abuse the cord. Never use the cord for carrying, pulling or unplugging the power tool. Keep cord away from heat, oil, sharp edges or moving parts.** Damaged or entangled cords increase the risk of electric shock.
- ▶ **When operating a power tool outdoors, use an extension cord suitable for outdoor use.** Use of a cord suitable for outdoor use reduces the risk of electric shock.
- ▶ **If operating a power tool in a damp location is unavoidable, use a residual current device (RCD) protected supply.** Use of an RCD reduces the risk of electric shock.

Personal safety

- ▶ **Stay alert, watch what you are doing and use common sense when operating a power tool. Do not use a power tool while you are tired or under the influence of drugs, alcohol or medication.** A moment of inattention while operating power tools may result in serious personal injury.
- ▶ **Use personal protective equipment. Always wear eye protection.** Protective equipment such as a dust mask, non-skid safety shoes, hard hat or hearing protection used for appropriate conditions will reduce personal injuries.
- ▶ **Prevent unintentional starting. Ensure the switch is in the off-position before connecting to power source and/or battery pack, picking up or carrying the tool.** Carrying power tools with your finger on the switch or energising power tools that have the switch on invites accidents.
- ▶ **Remove any adjusting key or wrench before turning the power tool on.** A wrench or a key left attached to a rotating part of the power tool may result in personal injury.
- ▶ **Do not overreach. Keep proper footing and balance at all times.** This enables better control of the power tool in unexpected situations.
- ▶ **Dress properly. Do not wear loose clothing or jewellery. Keep your hair and clothing away from moving parts.** Loose clothes, jewellery or long hair can be caught in moving parts.
- ▶ **If devices are provided for the connection of dust extraction and collection facilities, ensure these are connected and properly used.** Use of dust collection can reduce dust-related hazards.
- ▶ **Do not let familiarity gained from frequent use of tools allow you to become complacent and ignore tool safety principles.** A careless action can cause severe injury within a fraction of a second.

Power tool use and care

- ▶ **Do not force the power tool. Use the correct power tool for your application.** The correct power tool will do the job better and safer at the rate for which it was designed.
- ▶ **Do not use the power tool if the switch does not turn it on and off.** Any power tool that cannot be controlled with the switch is dangerous and must be repaired.
- ▶ **Disconnect the plug from the power source and/or remove the battery pack, if detachable, from the power tool before making any adjustments, changing accessories, or storing power tools.** Such preventive safety measures reduce the risk of starting the power tool accidentally.
- ▶ **Store idle power tools out of the reach of children and do not allow persons unfamiliar with the power tool or these instructions to operate the power tool.** Power tools are dangerous in the hands of untrained users.
- ▶ **Maintain power tools and accessories. Check for misalignment or binding of moving parts, breakage of parts and any other condition that may affect the power tool's operation. If damaged, have the power tool repaired before use.** Many accidents are caused by poorly maintained power tools.
- ▶ **Keep cutting tools sharp and clean.** Properly maintained cutting tools with sharp cutting edges are less likely to bind and are easier to control.
- ▶ **Use the power tool, accessories and tool bits etc. in accordance with these instructions, taking into account the working conditions and the work to be performed.** Use of the power tool for operations different from those intended could result in a hazardous situation.
- ▶ **Keep handles and grasping surfaces dry, clean and free from oil and grease.** Slippery handles and grasping surfaces do not allow for safe handling and control of the tool in unexpected situations.

Service

- ▶ **Have your power tool serviced by a qualified repair person using only identical replacement parts.** This will ensure that the safety of the power tool is maintained.

2.2 Safety instructions for all saws

Cutting procedures

- ▶ **⚠ DANGER: Keep hands away from cutting area and the blade. Keep your second hand on auxiliary handle or motor housing.** If both hands are holding the saw, they cannot be cut by the blade.
- ▶ **Do not reach underneath the workpiece.** The guard cannot protect you from the blade below the workpiece.



- ▶ **Adjust the cutting depth to the thickness of the workpiece.** Less than a full tooth of the blade teeth should be visible below the workpiece.
- ▶ **Never hold the workpiece in your hands or across your leg while cutting. Secure the workpiece to a stable platform.** It is important to support the work properly to minimise body exposure, blade binding, or loss of control.
- ▶ **Hold the power tool by insulated gripping surfaces, when performing an operation where the cutting tool may contact hidden wiring or its own cord.** Contact with a "live" wire will also make exposed metal parts of the power tool "live" and could give the operator an electric shock.
- ▶ **When ripping, always use a rip fence or straight edge guide.** This improves the accuracy of cut and reduces the chance of blade binding.
- ▶ **Always use blades with correct size and shape (diamond versus round) of arbour holes.** Blades that do not match the mounting hardware of the saw will run off-centre, causing loss of control.
- ▶ **Never use damaged or incorrect blade washers or bolt.** The blade washers and bolt were specially designed for your saw, for optimum performance and safety of operation.

Kickback causes and related warnings

- kickback is a sudden reaction to a pinched, jammed or misaligned saw blade, causing an uncontrolled saw to lift up and out of the workpiece toward the operator;
- when the blade is pinched or jammed tightly by the kerf closing down, the blade stalls and the motor reaction drives the unit rapidly back toward the operator;
- if the blade becomes twisted or misaligned in the cut, the teeth at the back edge of the blade can dig into the top surface of the wood causing the blade to climb out of the kerf and jump back toward the operator.

Kickback is the result of saw misuse and/or incorrect operating procedures or conditions and can be avoided by taking proper precautions as given below.

- ▶ **Maintain a firm grip with both hands on the saw and position your arms to resist kickback forces. Position your body to either side of the blade, but not in line with the blade.** Kickback could cause the saw to jump backwards, but kickback forces can be controlled by the operator, if proper precautions are taken.
- ▶ **When blade is binding, or when interrupting a cut for any reason, release the trigger and hold the saw motionless in the material until the blade comes to a complete stop. Never attempt to remove the saw from the work or pull the saw backward while the blade is in motion or kickback may occur.** Investigate and take corrective actions to eliminate the cause of blade binding.
- ▶ **When restarting a saw in the workpiece, centre the saw blade in the kerf so that the saw teeth are not engaged into the material.** If a saw blade binds, it may walk up or kickback from the workpiece as the saw is restarted.
- ▶ **Support large panels to minimise the risk of blade pinching and kickback.** Large panels tend to sag under their own weight. Supports must be placed under the panel on both sides, near the line of cut and near the edge of the panel.
- ▶ **Do not use dull or damaged blades.** Unsharpened or improperly set blades produce narrow kerf causing excessive friction, blade binding and kickback.
- ▶ **Blade depth and bevel adjusting locking levers must be tight and secure before making the cut.** If blade adjustment shifts while cutting, it may cause binding and kickback.
- ▶ **Use extra caution when sawing into existing walls or other blind areas.** The protruding blade may cut objects that can cause kickback.

Lower guard function

- ▶ **Check the lower guard for proper closing before each use. Do not operate the saw if the lower guard does not move freely and close instantly. Never clamp or tie the lower guard into the open position.** If the saw is accidentally dropped, the lower guard may be bent. Raise the lower guard with the retracting handle and make sure it moves freely and does not touch the blade or any other part, in all angles and depths of cut.
- ▶ **Check the operation of the guard return spring. If the guard and the spring are not operating properly, they must be serviced before use.** Lower guard may operate sluggishly due to damaged parts, gummy deposits, or a build-up of debris.
- ▶ **The lower guard may be retracted manually only for special cuts such as "plunge cuts" and "compound cuts". Raise the lower guard by the retracting handle and as soon as the blade enters the material, the lower guard must be released.** For all other sawing, the lower guard should operate automatically.



- ▶ **Always observe that the lower guard is covering the blade before placing the saw down on bench or floor.** An unprotected, coasting blade will cause the saw to walk backwards, cutting whatever is in its path. Be aware of the time it takes for the blade to stop after switch is released.

Guard function

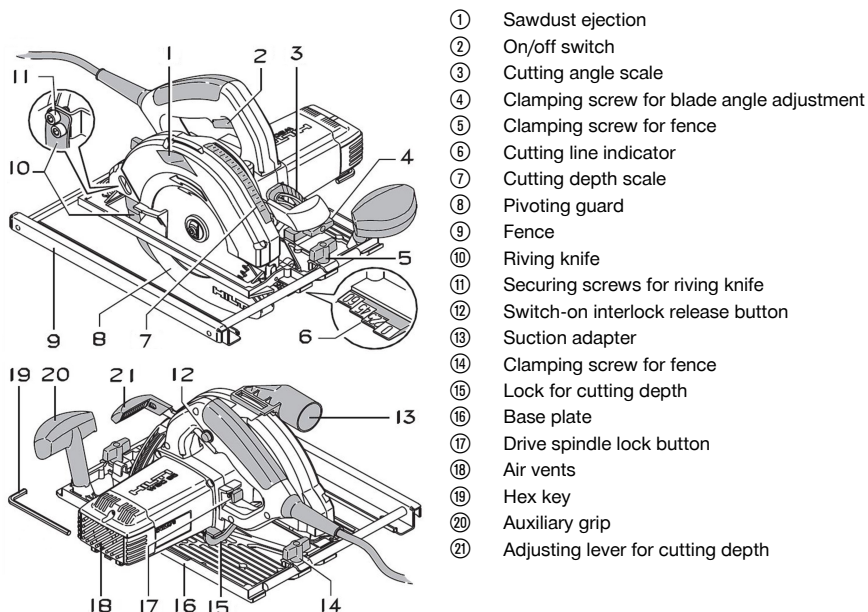
- ▶ **Check the guard for proper closing before each use. Do not operate the saw if the guard does not move freely and enclose the blade instantly. Never clamp or tie the guard so that the blade is exposed.** If the saw is accidentally dropped, the guard may be bent. Check to make sure that the guard moves freely and does not touch the blade or any other part, in all angles and depths of cut.
- ▶ **Check the operation and condition of the guard return spring. If the guard and the spring are not operating properly, they must be serviced before use.** The guard may operate sluggishly due to damaged parts, gummy deposits, or a build-up of debris.
- ▶ **Assure that the base plate of the saw will not shift while performing a “plunge cut”.** Blade shifting sideways will cause binding and likely kick back.
- ▶ **Always observe that the guard is covering the blade before placing the saw down on bench or floor.** An unprotected, coasting blade will cause the saw to walk backwards, cutting whatever is in its path. Be aware of the time it takes for the blade to stop after the switch is released.

Riving knife function

- ▶ **Use the appropriate saw blade for the riving knife.** For the riving knife to function, the body of the blade must be thinner than the riving knife and the cutting width of the blade must be wider than the thickness of the riving knife.
- ▶ **Adjust the riving knife as described in this instruction manual.** Incorrect spacing, positioning and alignment can make the riving knife ineffective in preventing kickback.
- ▶ **Always use the riving knife except when plunge cutting.** The riving knife must be replaced after plunge cutting. The riving knife causes interference during plunge cutting and can create kickback.
- ▶ **For the riving knife to work, it must be engaged in the workpiece.** The riving knife is ineffective in preventing kickback during short cuts.
- ▶ **Do not operate the saw if the riving knife is bent.** Even a light interference can slow the closing rate of a guard.

3 Description

3.1 Overview of the product



3.2 Intended use

The product described is a hand-held circular saw. It is designed for cutting wood or wood-like materials, plastics, gypsum plasterboard, gypsum fiberboard and composite materials, up to a cutting depth of 85 mm (3.35 in).

The circular saw is equipped with a removable connector for an optional vacuum cleaner / dust removal hose. This connector is designed to fit standard suction hoses. In order to connect the vacuum cleaner hose to the saw, use of a suitable adapter may be necessary.

3.2.1 Possible misuse

The use of saw blades that do not comply with the specifications given in the technical data or the use of cutting and grinding discs or blades made from high-alloy steel (HSS steel) is not permissible. Sawing metals is not permissible.

3.3 Items supplied

Circular saw, operating instructions.



To help ensure safe and reliable operation, use only genuine Hilti spare parts and consumables. Spare parts, consumables and accessories approved by Hilti for use with the product can be found at your local **Hilti Center** or online at: **www.hilti.group**

4 Technical data

4.1 Technical data



For details of the rated voltage, frequency, current and input power, refer to the country-specific type identification plate.

If the device is powered by a generator or transformer, the generator or transformer's power output must be at least twice the rated input power shown on the rating plate of the device. The operating voltage of the transformer or generator must always be within +5 % and -15 % of the rated voltage of the device.

	WSC 85
Power output	1,260 W
No-load speed	4,500 /min
Speed under load	3,100 /min
Cutting speed under no load	54 m/s
Cutting speed under load	37.3 m/s
Cutting depth at 0 °	0 mm ... 85 mm
Cutting depth at 45 °	0 mm ... 60 mm
Cutting depth at 60°	0 mm ... 43 mm
Saw blade diameter	207 mm ... 230 mm
Saw blade arbor size	30 mm
Riving knife thickness (standard)	2 mm
Weight in accordance with EPTA procedure 01	7.8 kg
Protection class	II

4.2 Noise information and vibration values in accordance with EN 62841

The sound pressure and vibration values given in these instructions were measured in accordance with a standardized test and can be used to compare one power tool with another. They can also be used for a preliminary assessment of exposure.

The data given represent the main applications of the power tool. However, if the power tool is used for different applications, with different accessory tools, or is poorly maintained, the data can vary. This can significantly increase exposure over the total working period.



An accurate estimation of exposure should also take into account the times when the tool is switched off, or when it is running but not actually being used for a job. This can significantly reduce exposure over the total working period.

Identify additional safety measures to protect the operator from the effects of noise and/or vibration, for example: maintaining the power tool and accessory tools, keeping the hands warm, organization of work patterns.

Noise information

	WSC 85
Emission sound pressure level (L_{pA})	94 dB(A)
Uncertainty for the sound pressure level (K_{pA})	3 dB(A)
Sound power level (L_{WA})	105 dB(A)
Uncertainty for the sound power level (K_{WA})	3 dB(A)

Vibration information

	WSC 85
Triaxial vibration value when cutting wood (a_h)	$\approx 2.3 \text{ m/s}^2$
Uncertainty (K)	0.5 m/s^2

5 Preparations at the workplace

CAUTION

Risk of injury! Inadvertent starting of the product.

- ▶ Unplug the supply cord before making adjustments to the power tool or before changing accessories.

Observe the safety instructions and warnings in this documentation and on the product.

5.1 Fitting the saw blade

CAUTION

Risk of damage! Unsuitable or incorrectly fitted saw blades may damage the saw.

- ▶ Only use blades which are suitable for this saw. Observe the direction-of-rotation arrow on the saw blade.
- ▶ Use only saw blades equipped with a rated maximum permissible speed that is at least as high as the maximum speed stated on the product.

1. Rest the power tool on the ribs provided.
2. Lock the arbor by holding the arbor lock button down with one hand.
3. Fit the clamping flange to the arbor.
4. Securely tighten the screw.
5. Make sure that the clamping flange is seated correctly.

The riving knife thickness must be less than the kerf width of the saw blade and at least equal to the saw blade disc thickness. Gap A must be less than 5 mm (0.2 in).

5.2 Adjusting the cutting depth

For a clean-edged cut, set cutting depth to the thickness of the material plus 2 mm.

1. Release the lock.
2. Set the cutting depth with the lever for the cutting depth.
 - ↳ The cutting depth is shown on the cutting depth scale.
3. Secure the lock.



5.3 Setting the cutting angle

1. Slacken the cutting angle adjustment clamping screw.
2. Pivot the base plate to the desired cutting angle.
 - ↳ The cutting angle is shown on the cutting angle scale.
3. Retighten the clamping screw.

5.4 Setting the width for the cut

1. Slacken the clamping screw.
2. Slide the fence guide under the clamping screw.
3. Set the fence to the correct width for the cut.
4. Tighten the clamping screw.

6 Types of work

WARNING

Damaged power cords are a safety hazard! If the supply cord or extension cord is damaged while work is in progress, immediately disconnect the device and the cord from the electricity supply. Do not touch the damaged part of the cord.

- ▶ Regularly check all supply cords. Replace defective extension cords. Have damaged power cords replaced by a qualified specialist.
-

Use of a ground fault circuit interrupter (residual current device, RCD) with a maximum tripping current of 30 mA is recommended.

6.1 Switching the power tool on

CAUTION

Risk of damage when cutting plastic! Overheating of the saw blade can cause plastic to deform or melt.

- ▶ Take repeated short breaks while working so that the saw blade has enough time to cool down.
-


1. Press the switch-on interlock.
2. Press the on/off switch.

6.2 Sawing along a line

1. Secure the workpiece to prevent movement.
2. Make sure that the saw blade has clearance underneath the workpiece.
3. Bring the front edge of the base plate into contact with the workpiece.
4. Switch on the circular saw.
5. Guide the circular saw along the cutting line on the workpiece at a suitable speed.

6.3 Sawing with the plunge function

In plunge cutting, the saw blade is lowered into the workpiece at a point suitable for starting the cut. The plunge function can be used with the saw blade set to any cutting angle.

 To reduce the risk of kickback, secure a stop piece to the workpiece directly behind the base plate.

1. Set the cutting depth to 0.
2. Set the circular saw flat on the workpiece.
3. Bring the rear mark on the base plate into alignment with the cutting line.
4. Release the cutting depth lock.
5. Press the saw against the workpiece and against the stop.
6. Switch on the circular saw.
 - ↳ The saw blade moves down.
7. Retighten the cutting depth lock as soon as the desired cutting depth is reached.



8. Make the cut.

6.4 Switching the power tool off

1. Release the on/off switch.
2. Wait until the saw blade has stopped rotating.

7 Care and maintenance

WARNING

Electric shock hazard! Attempting care and maintenance with the supply cord connected to a power outlet can lead to severe injury and burns.

- ▶ Always unplug the supply cord before carrying out care and maintenance tasks.

Care

- Carefully remove any dirt that may be adhering to parts.
- Clean the air vents carefully with a dry brush.
- Use only a slightly damp cloth to clean the casing. Do not use cleaning agents containing silicone as these may attack the plastic parts.

Maintenance

WARNING

Danger of electric shock! Improper repairs to electrical components may lead to serious injuries including burns.

- ▶ Repairs to the electrical section of the tool or appliance may be carried out only by trained electrical specialists.
- Check all visible parts and controls for signs of damage at regular intervals and make sure that they all function correctly.
- Do not operate the product if signs of damage are found or if parts malfunction. Have it repaired immediately by **Hilti** Service.
- After cleaning and maintenance, fit all guards or protective devices and check that they function correctly.



To help ensure safe and reliable operation, use only genuine Hilti spare parts and consumables. Spare parts, consumables and accessories approved by Hilti for use with the product can be found at your local **Hilti Store** or online at: www.hilti.group.

7.1 Removing the saw blade

CAUTION

Risk of injury! The accessory tool may be hot and/or have sharp edges.

- ▶ Wear protective gloves when changing the accessory tool.
 - ▶ Never lay down a hot accessory tool on a flammable surface.
1. Rest the power tool on the ribs provided.
 2. Lock the arbor by holding the arbor lock button down with one hand.
 3. Use a hex key to slacken the flange screw underneath the motor cover.
 4. Use the adjusting lever to set the cutting depth to 0.
 5. Use the hex key to turn the screw counter-clockwise to remove.
 6. Remove the clamping flange.
 7. Open the pivoting guard and hold it in the open position.
 8. Remove the saw blade.

7.2 Cleaning the guard

1. Remove the saw blade.
2. Clean the parts of the guard carefully with a dry brush.
3. Use a suitable tool to remove deposits or cuttings from the inside surfaces of the parts of the guard.
4. Reinstall the saw blade.



7.3 Check of pivoting guard

- ▶ Using the operating lever, fully open the pivoting guard.
 - ↳ The pivoting guard must close quickly and completely when the guard operating lever is released.

8 Transport and storage

Transport

- ▶ Do not transport this product with an accessory tool installed.
- ▶ Make sure that the equipment is held securely throughout all transport operations.
- ▶ After transporting, always check all visible parts and controls for signs of damage and make sure that they all function correctly.

Storage

- ▶ Always store this product with the electric supply cable unplugged from the electricity supply.
- ▶ Store this product in a dry place, where it cannot be accessed by children or unauthorized persons.
- ▶ After a long period of storage, always check all visible parts and controls for signs of damage and make sure that they all function correctly.

9 Troubleshooting

If the trouble you are experiencing is not listed in this table or you are unable to remedy the problem by yourself, please contact **Hilti Service**.

9.1 Troubleshooting table

Trouble or fault	Possible cause	Action to be taken
The power tool does not develop full power.	The extension cord is too long or its gauge is inadequate.	▶ Use an extension cord of an approved length and/or of adequate gauge.
	The voltage provided by the electric supply is too low.	▶ Check the ratings on your tool's type identification plate.
The power tool does not work.	The voltage provided by the electric supply is too low.	▶ Plug in another power tool or appliance and check whether it works.
	The supply cord or plug is defective.	▶ Have the tool checked by a trained electrical specialist.
	The on / off switch is defective.	▶ Have the tool checked by a trained electrical specialist.
	The carbon brushes are worn.	▶ Have the power tool checked by a trained electrical specialist and the carbon brushes replaced if necessary.
No suction power or reduced suction power	The chip ejector channel is blocked.	▶ Clean the chip ejector channel.

10 Disposal

Most of the materials from which **Hilti** tools and appliances are manufactured can be recycled. The materials must be correctly separated before they can be recycled. In many countries, your old tools, machines or appliances can be returned to **Hilti** for recycling. Ask **Hilti Service** or your Hilti representative for further information.



- ▶ Do not dispose of power tools, electronic equipment or batteries as household waste!

11 RoHS (Restriction of Hazardous Substances)

Click on the link to go to the table of hazardous substances: qr.hilti.com/r933.

There is a link to the RoHS table, in the form of a QR code, at the end of this document.



12 Manufacturer's warranty

- ▶ Please contact your local **Hilti** representative if you have questions about the warranty conditions.



1.1 על אודות תיעוד זה

- קרא את תיעוד זה במלואו לפני השימוש הראשון. רק כך ניתן להבטיח עבודה בטוחה ונטולת תקלות.
- ציית להוראות הבטיחות והאזהרות שבתיעוד זה ולא להלך המצוינות על המוצר.
- שמור את הוראות ההפעלה תמיד בצמוד למוצר, והקפד להעביר אותן לאדם שאליו אתה מעביר את המוצר.

1.2 הסבר הסימנים
1.2.1 אזהרות

האזהרות מזדהרות מפני סכנות בשימוש במוצר. במדריך זה מופיעות מילות המפתח הבאות:

סכנה

סכנה!

← מציינת סכנה מיידית, המובילה לפציעות גוף קשות או למוות.

אזהרה

אזהרה!

← מציינת סכנה אפשרית, שיכולה להוביל לפציעות גוף קשות או למוות.

זהירות

זהירות!

← מציינת מצב שעלול להיות מסוכן ולהוביל לפציעות או לנזקים לרכוש.

1.2.2 סמלים במסמך זה

הסמלים הבאים מופיעים בתיעוד זה:

	קרא את הוראות ההפעלה לפני השימוש
	הנחיות לשימוש ומידע שימושי נוסף
	טיפול נכון בחומרים למיחזור
	אין להשליך לפסולת הביתית מכשירים חשמליים וסוללות

1.2.3 סמלים באיורים

הסמלים הבאים משמשים באיורים:

	מספרים אלה מפנים לאיור המתאים בתחילת חוברת ההוראות
3	המספרים באיורים משקפים את רצף הפעולות, והם עשויים להיות שונים מרצף הפעולות המצוינות בטקסט
	מספרי הפריטים מופיעים באיור סקירה ותואמים את המספרים במקרא בפרק סקירת המוצר
	סימן זה אמור לעורר את תשומת לבך המיוחדת בעת השימוש במוצר.

1.3 סמלים ספציפיים למוצר
1.3.1 סמלים

הסמלים הבאים עשויים להופיע על המוצר:

n_0	מהירות סרק נקובה
	זרם חילופים
/min	סיבובים לדקה



APM	סיבובים לדקה
∅	קוטר
	תעבורת נתונים אלחוטית
	דירוג הגנה II (בידוד כפול)

1.4 פרטי המוצר

המוצרים של **HILTI** מיועדים למשתמש המקצועי, ורק אנשים מורשים, שעברו הכשרה מתאימה, רשאים לתפעל, לתחזק ולתקן אותם. אנשים אלה חייבים ללמוד באופן מיוחד את הסכנות האפשריות. המוצר המתואר והעזרים שלו עלולים להיות מסוכנים כאשר אנשים שלא עברו הכשרה מתאימה משתמשים בהם באופן לא מקצועי או כאשר משתמשים בהם שלא בהתאם לייעוד. שם הדגם והמספר הסידורי מצוינים על לוחית הדגם.

רשום את המספר הסידורי בטבלה הבאה. בכל פנייה לנציגינו או למעבדת שירות יש לציין את נתוני המוצר.

נתוני המוצר

דגם:	WSC 85
דור:	01
מס' סידורי:	

1.5 הצהרת תאימות

אנו מצהירים באחריותנו הבלעדית כי המוצר המתואר כאן תואם את התקנות והתקנים התקפים. בסוף תיעוד זה ישנו צילום של הצהרת התאימות.

התיעוד הטכני שמור כאן:

Hilti Entwicklungsgesellschaft mbH | Zulassung Geräte | Hiltistraße 6 | 86916 Kaufering, DE

2 בטיחות

2.1 הוראות בטיחות כלליות לכלי עבודה חשמליים

⚠ אזהרה קרא את כל הוראות הבטיחות, ההנחיות, האיומים והנתונים הטכניים המוצגים לכלי העבודה החשמלי. אי ציות להנחיות עלול להוביל להתחשמלות, לשרפה ו/או לפציעות קשות.

שמור את כל הוראות הבטיחות וההנחיות לעיון בעתיד.

המונח "כלי עבודה חשמלי" המשמש בהוראות הבטיחות מתייחס לכלי עבודה חשמליים המחוברים לרשת החשמל (עם כבל חשמל) או לכלי עבודה חשמליים המופעלים באמצעות סוללה נטענת (ללא כבל חשמל).

בטיחות במקום העבודה

- ◀ **שמור על אזור העבודה שלך כקי ודאג לתאורה מספקת.** חוסר סדר או תאורה לקויה במקום העבודה עלולים לגרום לתאונות.
- ◀ **אין להפעיל את כלי העבודה החשמלי בסביבה שקיימת בה סכנת פיצוץ או שישים בה נחלים, גזים או אבק דליקים.** כלי עבודה חשמליים יוצרים ניצוצות, שעלולים להצית את האבק או האדים.
- ◀ **הרחק ילדים ואנשים אחרים מכלי העבודה החשמלי במהלך השימוש בו.** אם דעתך תוסח אתה עלול לאבד את השליטה במכשיר.

בטיחות בחשמל

- ◀ **תקע החשמל של כלי העבודה החשמלי חייב להתאים לשקע החשמל. אסור לנכות בשום אופן את תקע החשמל. אל תשתמש בשקע מתאים ביחד עם כלי עבודה חשמליים הכוללים הגנת הארקה.** שימוש בתקעים חשמליים שלא עברו שינוי ושקעי חשמל מתאימים מפחית את הסיכון להתחשמלות.
- ◀ **מנע מגע של הגוף בשטחים מוארקים כגון צינורות, גופי חימום, תנורים ומקררים.** קיימת סכנה גבוהה להתחשמלות כאשר הגוף שלך מוארק.
- ◀ **הרחק כלי עבודה חשמליים מגשם או רטיבות.** חדרית מים לכלי העבודה החשמלי מגדילה את הסיכון להתחשמלות.
- ◀ **אל תשתמש בכבל החשמל למטרות שלא לשמן הוא נועד, לדוגמה: אל תרים את כלי העבודה החשמלי באמצעות הכבל ואל תנסה לנתק את התקע משקע החשמל במשיכה מהכבל. הרחק את הכבל מחום, שמן, פינות חדות או מחלקים נעים.** כבלים שנידוקו או שהסתככו בחלקים אחרים מגדילים את הסיכון להתחשמלות.
- ◀ **כאשר אתה עובד עם כלי העבודה החשמלי בחוץ, השתמש רק בכבל מאריך המיועד לשימוש חיצוני.** שימוש בכבל מאריך המתאים לשימוש חיצוני מפחית את הסיכון להתחשמלות.
- ◀ **אם לא ניתן להימנע משימוש בכלי העבודה החשמלי בסביבה לה, השתמש בממסר פחת.** השימוש בממסר פחת מפחית את הסיכון להתחשמלות.



בטיחות של אנשים

- ◀ היה ערבי, שים לב למה שאתה עושה, ופעל בתבונה כאשר אתה עובד עם כלי עבודה חשמלי. אל תפעיל כלי עבודה חשמליים כשאתה עייף או תחת השפעת סמים, אלכוהול או תרופות. די ברגע אחד של חוסר תשומת-לב בזמן השימוש בכלי העבודה החשמלי כדי לגרום פציעות קשות.
- ◀ **לבש תמיד ציוד מגן ומשקפי מגן.** לבישת ציוד מגן אישי, כגון מסכת אבק, נעלי בטיחות מונעות החלקה, קסדת מגן או מגני שמיעה – בהתאם לסוג השימוש בכלי העבודה החשמלי – מקטינה את הסיכון לפציעות.
- ◀ **מנע הפעלה בשוגג.** ודא שכלי העבודה החשמלי כבוי לפני שאתה מחבר אותו לאספקת החשמל ו/או לפני שאתה מחבר את הסוללה ולפני הרמתו. אל תניח את אצבעך על המתג בזמן שאתה נושא את המכשיר ואל תחבר אותו לאספקת החשמל כאשר הוא מופעל, אחרת עלולות להיגרם תאונות.
- ◀ **הרחק כלי כוונון או מפתחות ברגים לפני שאתה מפעיל את כלי העבודה החשמלי.** כלי עבודה או מפתחות הנמצאים בקרבת חלקים מסתובבים עלולים לגרום פציעות.
- ◀ **הימנע מתנוחות גוף לא נכונות.** עמוד באופן יציב ושומר תמיד על שיווי משקל. כך תוכל לשלוט טוב יותר בכלי העבודה החשמלי במצבים לא צפויים.
- ◀ **לבש בגדים מתאימים.** אל תלבש בגדים רחבים או תכשיטים. הרחק את השער, הבגדים וכפפות מחלקים נעים. בגדים רופפים, תכשיטים ושיער ארוך עלולים להיתפס בחלקים נעים.
- ◀ **כאשר ניתן להתקין התקני שאיבת אבק ולכידה יש לודא שהם מחוברים לחשמל, ויש להקפיד להשתמש בהם בצורה נכונה.** שימוש בהתקן שאיבת אבק מקטין את הסכנות הנובעות מהאבק.
- ◀ **אל תהיה שאנן בנושאי בטיחות ואל תעלם מהוראות בטיחות של כלי עבודה חשמליים, גם אם שהשתמשת במכשיר פעמים רבות ואתה מכיר אותו היטב.** התנהגות רשלנית עלולה להוביל לפציעות קשות בתוך שניות.

שימוש וטיפול בכלי העבודה החשמלי

- ◀ **אל תפעיל עומס רב מדי על המכשיר.** השתמש בכלי העבודה החשמלי המתאים לעבודה שאתה מבצע. כלי העבודה החשמלי המתאים מבטיח לך עבודה טובה ובטוחה יותר בתחום ההספק הנקוב.
- ◀ **אל תשתמש בכלי העבודה אם המתג שלו אינו תקין.** כלי עבודה חשמלי שלא ניתן עוד להפעיל או לכבות אותו מהווה סכנה ויש לתקבו.
- ◀ **נתק את תקע החשמל מהשקע ו/או הסר את הסוללה לפני שאתה מבצע כוונונים במכשיר, מחליף כלים או לאחר שאתה מפסיק לעבוד עם המכשיר.** אמצעי זהירות זה מונע הפעלה בשוגג של כלי העבודה החשמלי.
- ◀ **שמור כלי עבודה חשמליים שאינם בשימוש הרחק מהישג ידם של ילדים.** אל תאפשר לאנשים שאינם יודעים כיצד להשתמש במכשיר או שלא קראו את ההוראות להשתמש במכשיר. כלי עבודה חשמליים הם מסוכנים כאשר משתמשים בהם אנשים חסרי ניסיון.
- ◀ **טפל בכלי עבודה חשמליים ובאביזרים בהקפדה.** בדוק אם החלקים הנעים פועלים בצורה חלקה ואינם נתקעים, אם ישנם חלקים שבורים או מקולקלים המשבשים את הפעולה התקינה של כלי העבודה החשמלי. לפני השימוש במכשיר דאג לתיקון חלקים לא תקינים. תאונות רבות נגרמו עקב תחזוקה לקויה של כלי עבודה חשמליים.
- ◀ **שמור על כלי החיתוך חדים ונקיים.** כלי חיתוך מטופלים היטב, שלהביהם חדים נתקעים פחות וקלים יותר לתפעול.
- ◀ **השתמש בכלי העבודה החשמלי, באביזרים, בכלי העבודה הנוספים וכן הלאה בהתאם להוראות אלה.** התחשב בתנאי העבודה ובפעולה שעליך לבצע. שימוש בכלי העבודה החשמלי למטרות אחרות מאלה שלשמן הוא מיועד עלול להיות מסוכן.
- ◀ **שמור על ידיות ואזורים אחיזה נקיים מכלוך משומן ומגריזי.** ידיות ואזורים אחיזה חלקים אינם מאפשרים תפעול בטוח ושליטה טובה בכלי העבודה החשמלי במצבים לא צפויים.

שירות

- ◀ **דאג לתיקון כלי העבודה החשמלי שלך רק בידי טכנאים מוסמכים, המשתמשים בחלקי חילוף מקוריים בלבד.** כך תבטיח שמירה על בטיחות העבודה במכשיר.

2.2 הוראות בטיחות לכל המסורים

תהליך חיתוך

- ◀ **⚠ סכנה: אל תשלח ידיים לאזור המסור ולהב המסור.** אחוז בידך השנייה בידיית הנוספת או בבית המנוע. אם שתי ידיך יחזיקו במסור, הלהב לא יוכל לפצוע אותך.
- ◀ **אל תאחד מתחת חלק שבעבודה.** מגן הלהב אינו יכול להגן עליך מפני להב המסור מתחת לחלק שבעבודה.
- ◀ **התאם את עומק החיתוך לעובי החלק שבעבודה.** הלהב צריך לבלוט מתחת לחלק שבעבודה גובה שן מלאה.
- ◀ **בשום אופן אל תחזיק בידך או ברגליך את החלק שברצונך לנסר.** הדק את החלק שבעבודה למקום יציב. חשוב מאוד לייצב היטב את החלק שבעבודה כדי למזער את הסיכון למגע בגוף, להיתקעות של להב המסור או לאיבוד השליטה במסור.
- ◀ **כאשר אתה מבצע עבודות שבהן עלול לפגוע בקווי חשמלי מוסתרים או בכבל החשמל של המכשיר החזק את כלי העבודה החשמלי רק במקומות האחיזה המבודדים.** נגיעה בקו המוליך חשמל תעביר זרם גם לחלקים המתכתיים של כלי העבודה החשמלי וכך עלולה לגרום להתחשמלות.
- ◀ **בעת חיתוך לאורך החלק יש להשתמש תמיד במוליך.** המוליך משפר את הדיוק בחיתוך ומפחית את הסיכוי להיתקעות להב המסור.
- ◀ **השתמש תמיד בלהבי מסור בגודל הנכון ובעלי קדח מתאים (כגון בצורת כוכב או עגול).** להבי מסור שאינם מתאים לרכיבי החיבור של המסור יסתובבו בצורה לא עגולה ויגרמו לאבדן השליטה.



- ◀ **לעולם אין להשתמש בדיסקיות ללהב המסור או בברגים אם הם פגומים או לא מתאימים.** דסקיות המסור והברגים תוכננו במיוחד עבור המסור שלך, כדי לספק ביצועים ובטיחות מיטביים.
- רתע - סיבות והוראות בטיחות מתאימות**
- רתע זו תגובה פתאומית כתוצאה מהיתקעות או תנועה לא טובה של להב המסור, הגורמת לכך שהמסור מתרומם ללא שליטה ונדקדק מהחלק שבעבודה הנוצח לכיוון האדם המפעיל את המסור;
- אם החריץ המנוסר נסגר ועקב כך להב המסור נתקע, המסור ייחסם וכוח המנוע יזרוק את המסור לכיוון המפעיל;
- אם להב המסור מסתובב בצורה לא טובה בחתך, השיניים של הקצה האחורי של להב המסור עלולות להיתקע בפני השטח של החלק בעבודה, ועקב זאת להב המסור ינוע אל מחוץ לחריץ המנוסר והמסור יקפוץ לאחור לכיוון המפעיל.
- רתע נוצר כתוצאה של שימוש שגוי במסור. ניתן למנוע אותו בעזרת אמצעי הזהירות המוסברים להלן.
- ◀ **אחזת את המסור היטב בשתי ידיך והחזק את דרוגותיך בתנוחה שבה יוכלו לספוג את כוחות הרתע. עמוד תמיד בצד להב המסור, לעולם אל תביא את המסור לקו אחד עם הגוף שלך.** במקרה של רתע המסור העגול עשוי לקפוץ לאחור, אולם המפעיל עדיין יכול לשלוט בכוחות הרתע אם ינקוט את אמצעי הזהירות המתאימים.
- ◀ **במקרה שהמסור נתקע או שאתה מפסיק לעבוד, כבה את המסור והחזק אותו יציב בחלק שבעבודה עד שלהב המסור נעצר. אל תנסה בשום אופן להריק את להב המסור מהחלק שבעבודה או לשוך אותו אחורה כל עוד להב המסור מסתובב, אחרת עלול להתרחש רתע.** ברר את הסיבה להיתקעות של להב המסור וטפל בעיה.
- ◀ **אל תרצה להפעיל מחדש מסור שתקוע בחלק שבעבודה, עליך למרכז את להב המסור בחריץ המנוסר ולוודא ששיני הלהב אינן תקועות בחלק.** אם להב המסור ייתקע הוא עלול לנוע אל מחוץ לחלק שבעבודה או לגרום לרתע כשתפעיל מחדש את המסור.
- ◀ **לפני ניסור לוחות גדולים יש לתמוך אותם מלמטה, כדי למנוע רתע עקב היתקעות של להב המסור.** לוחות גדולים עשויים להתכופף תחת משקלם העצמי. יש לתמוך לוחות גדולים מלמטה משני צדיהם, גם בקרבת החריץ המנוסר וגם בקצה.
- ◀ **אל תשתמש בלהבי מסור כהים או פגומים.** להבי מסור פגומים או בעלי שיניים לא מתאימות ינסרו חריץ צר מדי, שיגרום לחיכוך מוגבר, להיתקעות להב המסור ולרתע.
- ◀ **יש לקבע את עומק החיתוך וזווית החיתוך לפני תחילת העבודה ולהדק היטב.** אם הכווננים האלה ישתנו במהלך הניסור, המסור עלול להיתקע ולגרום לרתע.
- ◀ **היה זהיר במיוחד בניסור קירות קיימים או חלקים דומים.** כאשר להב המסור חודר פנימה הוא עשוי להיחסם על ידי עצמים מוסתרים ולגרום לרתע.
- תפקוד מגן הלהב התחתון**
- ◀ **בדוק לפני כל שימוש אם מגן הלהב התחתון נסגר בצורה חלקה. אל תשתמש במסור אם מגן הלהב התחתון אינו נע בחופשיות ואינו נסגר מיד. לעולם אין לקשור או להפוס את מגן הלהב התחתון במצב פתוח.** אם המסור ייפול לרצפה מגן הלהב התחתון עלול להתעקם. פתח את המגן באמצעות ידית המשיכה וודא שהוא נע בחופשיות, ושכלל זוויות עומקי החיתוך הוא אינו נוגע בלהב המסור או בחלקים אחרים.
- ◀ **בדוק את תפקוד הקפיץ של מגן הלהב התחתון. אם מגן הלהב התחתון והקפיץ אינם פועלים באופן מושלם דאג לתיקונם לפני תחילת העבודה.** חלקים פגומים, משקעים דביקים או הצטברויות של נסורת ישבשו את פעולת מגן הלהב התחתון.
- ◀ **פתח את מגן הלהב התחתון בידך רק לצורך ביצוע חיתוכים מיוחדים כגון חיתוכים בחדירה וחיתוכים בזווית. פתח את מגן הלהב התחתון באמצעות ידית המשיכה לאחור ודא שחזר את הידית ברגע שהמסור חודר לחלק שבעבודה.** בכל עבודות הניסור האחרות אמור מגן הלהב התחתון לפעול באופן אוטומטי.
- ◀ **אל תביא את המסור על שלוחן העבודה או על הקרקע לפני שלהב המסור כוסה על ידי מגן הלהב התחתון.** להב מסור לא מוגן שעדיין לא נעצר ידחוף את המסור נגד כיוון החיתוך וינסר את כל מה שיימצא בדרכו. שים לב שהמסור ממשיך להסתובב מעט גם לאחר סיום העבודה.
- אופן פעולת מגן הלהב**
- ◀ **בדוק לפני כל שימוש אם מגן הלהב נסגר בצורה חלקה. אל תשתמש במסור אם מגן הלהב אינו נע בחופשיות ואינו נסגר מיד. לעולם אין לקעוץ או לקשור את מגן הלהב; עקב כך להב המסור לא יהיה מוגן.** אם המסור ייפול לרצפה מגן הלהב עלול להתעקם. ודא שמגן הלהב נע בחופשיות ושהוא אינו נוגע בלהב המסור או בחלקים אחרים בכל זווית חיתוך או עומק חיתוך אפשריים.
- ◀ **בדוק את מצב ותפקוד הקפיץ של מגן הלהב. אם מגן הלהב והקפיץ אינם פועלים באופן מושלם דאג לתיקונם לפני תחילת העבודה.** חלקים פגומים, משקעים דביקים או הצטברויות של נסורת ישבשו את פעולת מגן הלהב התחתון.
- ◀ **בעת ביצוע חיתוך בחדירה במרכז החומר שלא בזווית ישרה, יש לאבטח את לוחית הבסיס של המסור כך שלא תוכל לסטות הצדה.** סטייה הצדה עשויה לגרום להיתקעות להב המסור ובכך לרתע.
- ◀ **אל תביא את המסור על שלוחן העבודה או על הקרקע לפני שלהב המסור כוסה על ידי מגן הלהב.** להב מסור לא מוגן שעדיין לא נעצר ידחוף את המסור נגד כיוון החיתוך וינסר את כל מה שיימצא בדרכו. שים לב שהמסור ממשיך להסתובב מעט גם לאחר סיום העבודה.
- תפקיד הטריז המפריד**
- ◀ **השתמש בטריז מפריד המתאים ללהב המסור.** כדי שהטריז המפריד ימלא את תפקידו ביעילות, עובי דיסק להב המסור חייב להיות דק יותר מהטריז המפריד ורוחב השיניים צריך להיות רחב יותר מעובי הטריז.
- ◀ **כוונן את הטריז המפריד כמוסבר בהוראות הפעלה אלה.** עובי שגוי, מיקום וישיור שגויים עלולים לגרום לכך שהטריז המפריד לא יוכל למנוע רתע ביעילות.

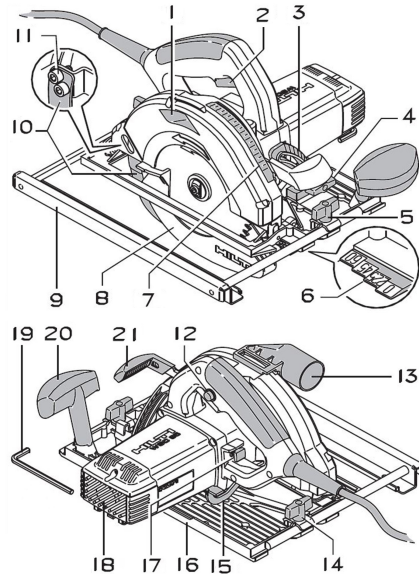


- ◀ השתמש תמיד בטריד המפריד, מלבד בניסור חודר במרכז החלק. התקן את הטריד המפריד מחדש לאחר ביצוע החיתוך החודר במרכז החלק. הטריד המפריד מפריע בחיתוך חודר במרכז החלק ועלול לגרום לרתע.
- ◀ כדי שהטריד המפריד יוכל למלא את תפקידו ביעילות הוא חייב להימצא בתוך חתריץ המנוסר. בחיתוכים קצרים הטריד המפריד אינו יעיל במניעת רתע.
- ◀ אין להשתמש במסור כאשר מותקן בו טריד מפריד מעוקם. די בהפרעה קלה כדי לשבש את סגירת מגן הלהב.

3 תיאור

3.1 סקירת המוצר

- ① פתח יציאת שבבים
- ② מתג הפעלה/כיבוי
- ③ סקאלת זווית חיתוך
- ④ בורג הידוק עבור כוונן הזווית
- ⑤ בורג הידוק עבור המוליך המקבילי
- ⑥ סמן חיתוך
- ⑦ סקאלת עומק חיתוך
- ⑧ מגן דיסק קפיצי
- ⑨ מוליך מקבילי
- ⑩ טריד מפריד
- ⑪ ברגים לחיבור הטריד המפריד
- ⑫ לחצן חסימת הפעלה
- ⑬ מתאם שאיבה
- ⑭ בורג הידוק למוליך המקבילי
- ⑮ נעילת עומק החיתוך
- ⑯ לוחית בסיס
- ⑰ כפתור עבור נעילת הצינור
- ⑱ חריצי אוורור
- ⑲ מפתח אלן
- ⑳ ידית אחיזה נוספת
- ㉑ מנוף כוונן עומק החיתוך



3.2 שימוש בהתאם לייעוד

המוצר המתואר הוא מסור עגול בהפעלה ידנית. הוא מיועד לעבודות ניסור בעץ או בחומרים דמויי עץ, פלסטיקים, לוחות גבס, קרטון גבס וחומרים מרוכבים עד לעומק חיתוך של 85 מ"מ (3.35 אינץ'). המסור העגול הידני מצויד במחבר שאיבה עבור שואב אבק אופציונלי, ומתאים לצינורות שואבי האבק הנפוצים. ייתכן שתדדק מתאם כדי לחבר את צינור שואב האבק למסור.

3.2.1 שימוש שגוי אפשרי

אסור להשתמש בדיסקי מסור שאינם תואמים את הנתונים הטכניים וכן בדיסקי חיתוך והשחזה ודיסקי מסור עשויים פלדת HSS. אין לנסר מתכות.

3.3 מפרט אספקה

מסור עגול, הוראות הפעלה.

לצורך הפעלה בטווח של המכשיר יש להשתמש רק בחלקי חילוף וחומרים מתכלים מקוריים. את חלקי החילוף, החומרים המתכלים והאביזרים שאושרו על-ידנו עבור המוצר שלך תמצא אצל משווק Hilti או בכתובת: www.hilti.group



4.1 נתונים טכניים

את המתח הנקוב, הזרם הנקוב, התדירות וההספק הנקוב תמצא בלוחית הדגם הספציפית למדינתך.



בעת הפעלה באמצעות גנרטור או שנאי הספק המוצא שלהם חייב להיות לפחות כפול מההספק הנקוב המצוין על לוחית הדגם של המכשיר. מתח העבודה של השנאי או הגנרטור חייב להימצא תמיד בטווח שבין +5% לבין -15% ביחס למתח הנקוב של המכשיר.

WSC 85	
1,260 ואט	הספק מוצא
4,500 סל"ד	מהירות סיבוב טרק
3,100 סל"ד	מהירות בעומס
54 מ'/שנייה	מהירות חיתוך בסרק
37.3 מ'/שנייה	מהירות חיתוך בעומס
0 מ"מ ... 85 מ"מ	עומק חיתוך ב-0°
0 מ"מ ... 60 מ"מ	עומק חיתוך ב-45°
0 מ"מ ... 43 מ"מ	עומק חיתוך ב-60°
207 מ"מ ... 230 מ"מ	קוטר דיסק מסור
30 מ"מ	קוד חיבור של דיסק המסור
2 מ"מ	עובי הטריד המפריד (סטנדרטי)
7.8 ק"ג	משקל בהתאם להליך EPTA מתאריך 01
II	דירוג הגנה

4.2 ערכי רעש לפי EN 62841

ערכי לחץ הקול והרעידות המצוינים בהוראות אלה נמדדו בהתאם לנוהל המדידה התקני, וניתן להשתמש בהם לצורך השוואה בין כלי עבודה חשמליים. הם מתאימים גם להערכה זמנית של העומסים.

הנתונים המצוינים תקפים לשימושים העיקריים בכלי העבודה החשמלי. אולם אם משתמשים בכלי העבודה החשמלי לשימושים אחרים, בשילוב אביזרים אחרים או אם המכשיר אינו עובר תחזוקה מספקת, הנתונים עשויים להשתנות. בעקבות זאת פריסת העומסים למשך זמן העבודה כולו עשויה להיות גבוהה באופן משמעותי.

לצורך הערכה מדויקת של העומסים יש לקחת בחשבון גם את הזמנים שבהם המכשיר כבוי או שבהם הוא פועל אך אינו בשימוש בפועל. בעקבות זאת פריסת העומסים למשך זמן העבודה כולו עשויה להיות נמוכה באופן משמעותי.

יש לקבוע הנחיות בטיחות נוספות להגנה על המשתמש מפני ההשפעות של קול ו/או רעידות, כגון: תחזוקה של כלי העבודה החשמלי ושל כלי העבודה המחבורים, שמירה על ידיים חמות, ארגון תהליכי העבודה.

מידע על רעשים

WSC 85	
94 dB(A)	רמת לחץ קול (L_{pA})
3 dB(A)	אי ודאות ברמת לחץ קול (K_{pA})
105 dB(A)	רמת הספק קול (L_{WA})
3 dB(A)	אי ודאות ברמת הספק קול (K_{WA})

מידע על רעידות

WSC 85	
≈ 2.3 מ'/שני ²	ערך רעידות מרחבי בניסור עץ (a_h)
0.5 מ'/שני ²	אי ודאות (K)

5 הכנה לעבודה


סכנת פציעה! תחילת תנוע לא מכוונת של המוצר.

▶ נתק את תקע החשמל לפני שאתה מבצע כוונונים במכשיר או מחליף אביזרים.

ציית להוראות הבטיחות והאזהרות שבתייעוד זה ולא לה המצוינות על המוצר.



5.1 הכנסת דיסק מסור 3

זהירות

- סכנת נדק!** דיסקי מסור לא מתאימים או שחוברו שלא כהלכה עלולים לגרום נדק למסור. השתמש רק בדיסקי מסור המתאימים למסור זה. שים לב לחץ כיוון הסיבוב על דיסק המסור.
- ◀ השתמש רק בדיסקי מסור שמהירות הסיבוב המותרת שלהם גבוהה לפחות כמו מהירות הסיבוב המרבית המצוינת על המוצר.

1. הנח את המכשיר על צלעות הבסיס.
2. כדי לנעול את ציר המסור, החזק ביד אחת את כפתור נעילת הציר לחוץ.
3. חבר את האוגן הנגדי לציר המכשיר.
4. הדק את הבורג.
5. ודא שהאוגן הנגדי יושב נכון.

עובי הטריז המפריד צריך להיות קטן מרוחב החתך של דיסק המסור, ולפחות בעובי של גוף דיסק המסור. המרווח A חייב להיות קטן מ-5 מ"מ (0.2 אינץ').

5.2 כוונן עומק החיתוך 4

כדי להשיג חיתוך נקי, עומק החיתוך צריך להיות גדול ב-2 מ"מ מעובי החומר.

1. שחרר את הנעילה.
2. כוונן את עומק החיתוך באמצעות מנוף כוונן עומק החיתוך.
3. ⇨ עומק החיתוך יוצג על סקאלת עומק החיתוך.
3. קבע את הנעילה.

5.3 כוונן זווית החיתוך 5

1. שחרר את בורג ההידוק של כוונן זווית החיתוך.
2. הטה את לוחית הבסיס לזווית החיתוך המבוקשת.
3. ⇨ זווית החיתוך תוצג על סקאלת זווית החיתוך.
3. הדק בחזרה את בורג ההידוק.

5.4 כוונן רוחב החיתוך 3

1. שחרר את בורג ההידוק.
2. דחף את המוליך של המוליך המקביל מתחת לבורג ההידוק.
3. קבע את רוחב החיתוך המבוקש.
4. הדק את בורג ההידוק.

6 עבודה

אזהרה

סכנה עקב כבל פגום! אם כבל החשמל או הכבל המאריך ניזוקו במהלך העבודה, נתק את מיד את המכשיר עם הכבל מרשת החשמל. אל תיגע במקום הפגום!

◀ בדוק באופן סדיר את כל הכבלים. החלף כבל מאריך לא תקין. אם כבל החשמל פגום, פנה לחשמלאי מוסמך לצורך החלפתו.

ככל מומלץ להשתמש במפסק הגנה (RCD) בעל זרם התרה של 30 mA.

6.1 הפעלת המכשיר

זהירות

סכנת נדק בניסור פלסטיק! דיסק המסור מתחמם מאוד, והחום עלול לעוות או להתיך את הפלסטיק.

◀ ערוך הפסקות קצרות במהלך העבודה, כדי לאפשר לדיסק המסור להתקרר.

1. לחץ על לחצן חסימת ההפעלה.
2. לחץ על מתג ההפעלה/כיבוי.



6.2 ניסור לפי סימון

1. הדק את החלק שבעבודה כך שלא יוכל לזוז ממקומו.
2. ודא שדיסק המסור יכול לנוע בחופשיות מתחת לחלק שבעבודה.
3. הצב את המוצר עם הקצה הקדמי של לוחית הבסיס על החלק המיועד לניסור.
4. הפעל את המסור העגול.
5. הולך את המסור העגול בקצב מתאים לאורך הסימון על פני החלק שבעבודה.

6.3 ניסור עם פונקציית חדרה מלמעלה

חיתוך בחדרה מלמעלה מאפשר חיתוך של החלק על ידי החדרת דיסק המסור בנקודה כלשהי לבחירתך. אפשר להשתמש בפונקציית החדירה מלמעלה בכל זוויות החיתוך.

כדי להפחית את הסכנה לרתע, חבר מעצור לחלק שבעבודה, מאחורי לוחית הבסיס.



1. כוונן עומק חיתוך 0.
2. הצב את המסור העגולה שטוח על החלק שבעבודה.
3. הבא את הסימון האחורי בלוחית הבסיס ואת הסמן לאותו הגובה.
4. שחרר את נעילת עומק החיתוך.
5. הצמד את המכשיר ביד אחת לחלק שבעבודה וכנגד המעצור.
6. הפעל את המסור העגול.
7. דיסק המסור מונמך.
8. ברגע שהגעת לעומק החיתוך המבוקש, הדק בחזרה את נעילת עומק החיתוך.
9. בצע את החיתוך.

6.4 כיבוי המכשיר

1. שחרר את מתג ההפעלה/כיבוי.
2. המתן עד שדיסק המסור נעצר.

7 טיפול ותחזוקה

אזהרה

סכנת התחשמלות! עבודות טיפול ותחזוקה כאשר תקע החשמל מחובר לשקע עלולות להוביל לפציעות ולכוויות קשות.
 לפני ביצוע עבודות טיפול או תחזוקה כלשהי יש להקפיד ולנתק את תקע החשמל!

טיפול

- הסר בזהירות לכלוך שנדבק.
- נקה בזהירות את חריצי האוורור באמצעות מברשת יבשה.
- נקה את גוף המכשיר רק בעזרת מטלית לחה מעט. אין להשתמש בחומרי טיפול המכילים סיליקון, מאחר שהם עלולים לפגוע בחלקי הפלסטיק.

תחזוקה

אזהרה

סכנת התחשמלות! תיקון לא מקצועי של רכיבים חשמליים עלול לגרום לפציעות קשות ולכוויות.
 רק חשמלאים מורשים רשאים לבצע תיקונים ברכיבים חשמליים.

- יש לבדוק באופן סדיר את כל החלקים הגלויים כדי לאתר נדקים ולוודא שכל הרכיבים פועלים באופן תקין.
- אם ישנם נדקים ו/או תקלות אין להפעיל את המוצר. הבא מיד את המכשיר לתיקון במעבדת שירות של Hilti.
- לאחר עבודות טיפול ותחזוקה יש להקפיד ולחבר את כל התקבי ההגנה ולבדוק את תפקוד המכשיר.

לצורך הפעלה בטוחה של המכשיר יש להשתמש רק בחלקי חילוף וחומרים מתכלים מקוריים. את חלקי החילוף, החומרים המתכלים והאביזרים שאושרו על-ידנו עבור המוצר שלך תמצא ב- **Hilti Store** שלך או בכתובת: **www.hilti.group**.



7.1 הסרת דיסק המסור

זהירות 

- ▶ **סכנת פציעה!** הכלי עשוי להיות חם מאוד ו/או חד.
- ▶ לבש כפפות מגן בעת החלפת כלי.
- ▶ לעולם אין להניח כל חם על חומרים דליקים.

1. הנח את המכשיר על צלעות הבסיס.
2. כדי לנעול את ציר המסור, החזק ביד אחת את כפתור נעילת הציר לחוץ.
3. באמצעות מפתח אלן שחרר את בורג האום מתחת למכסה המנוע.
4. כוונן עומק חיתוך 0 באמצעות מנוף הכוונן.
5. הברג החוצה באמצעות מפתח האלן את הבורג נגד כיוון השעון.
6. הסר את האוגן הנגדי.
7. פתח את מגן הדיסק הקפיצי והחזק אותו היטב.
8. הוצא את דיסק המסור.

7.2 ביקוי התקני ההגנה

1. הסר את דיסק המסור.
2. נקה את התקני ההגנה בזהירות בעזרת מברשת יבשה.
3. הסר משקעים ושכבים בחלק הפנימי של התקני ההגנה בעזרת כלי עבודה מתאים.
4. הרכב בחזרה את דיסק המסור.

7.3 בדיקת מגן הדיסק הקפיצי

- ▶ פתח את מגן הדיסק הקפיצי על ידי הזזת הידית עד הסוף.
- ⇐ שחרר את הידית וודא שמגן הדיסק הקפיצי נסגר לגמרי במהירות.

8 הובלה ואחסון

הובלה

- ▶ אין להוביל את המוצר כאשר מחובר אליו כלי עבודה.
- ▶ ודא שהמכשיר יציב בהובלה.
- ▶ לאחר כל הובלה בדוק את כל החלקים הגלויים לאיתור נזקים ובדוק תפקוד תקין של כל רכיבי ההפעלה.

אחסון

- ▶ יש להקפיד לנתק את התקע לפני האחסון.
- ▶ יש לאחסן מוצר זה במקום יבש הרחוק מהישג ידם של ילדים ואנשים לא מורשים.
- ▶ לאחר כל אחסון ממושך בדוק את כל החלקים הגלויים לאיתור נזקים ובדוק תפקוד תקין של כל רכיבי ההפעלה.

9 תיקון תקלות

אם מתרחשת תקלה שאינה מוסברת בטבלה זו או שאינך יכול לתקן בעצמך, פנה לשירות של **Hilti**.

9.1 טבלת תקלות

תקלה	סיבה אפשרית	פתרון
המכשיר אינו פועל בעוצמה מלאה.	הכבל המאריך ארוך מדי ו/או הקוטר שלו קטן מדי.	▶ השתמש בכבל מאריך באורך מותר או בעל קוטר גדול מספיק.
	מתח אספקת החשמל נמוך מדי.	▶ בדוק את נתוני ההספק בלוחית הדגם שלך.
המכשיר אינו פועל.	מתח אספקת החשמל נמוך מדי.	▶ חבר מכשיר חשמלי אחר ובדוק אם הוא פועל.
	כבל החשמל או תקע החשמל אינם תקינים.	▶ הבא את המכשיר לבדיקה אצל חשמלאי מוסמך.
	מתג הפעלה/כיבוי לא תקין.	▶ הבא את המכשיר לבדיקה אצל חשמלאי מוסמך.



תקלה	סיבה אפשרית	פתרון
המכשיר אינו פועל.	הפחמים נשחקו.	הבא את המכשיר לבדיקה אצל חשמלאי מורשה, והחלף את הפחמים במקרה הצורך.
אין שאיבה או השאיבה חלשה מאוד	תעלת השבבים סתומה.	נקה את תעלת השבבים.

10 סילוק

המוצרים של Hilti מיוצרים בחלקם מגדול מחומרים ניתנים למיחזור. כדי שניתן יהיה למחזרם דרושה הפרדת חומרים מקצועית. במדינות רבות Hilti תקבל את המכשיר הישן שלך בחזרה לצורך מיחזור. פנה לשירות של Hilti או למשווק.

אין להשליך כלי עבודה חשמליים, כלים אלקטרוניים וסוללות לפסולת הביתית!

11 RoHS (תקנה להגבלת השימוש בחומרים מסוכנים)

בקישור הבא תמצא את טבלת החומרים המסוכנים: qr.hilti.com/r933.
קישור לטבלת RoHS תמצא בסוף תיעוד זה, בצורת קוד QR.

12 אחריות יצרן

אם יש לך שאלות בנושא תנאי האחריות, פנה למשווק Hilti הקרוב אליך.







Hilti Aktiengesellschaft
Feldkircherstraße 100
9494 Schaan | Liechtenstein

WSC 85 (01)

[2003]

2014/30/EU

EN 55014-1 :2017

2006/42/EC

EN 55014-2:2015

2011/65/EU

EN 61000-3-2:2019

EN 62841-1

EN 61000-3-3:2013+A1:2019

EN 62841-2-4

Schaan, 17.06.2020

Paolo Luccini

Head of BA Quality and
Process-Management

BA Electric Tools & Accessories

Tassilo Deinzer

Executive Vice President

BU Power Tools and Accessories



RoHS qr.hilti.com/r933



Hilti Corporation
LI-9494 Schaan
Tel.:+423 234 21 11
Fax:+423 234 29 65
www.hilti.group



314714