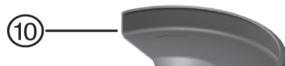
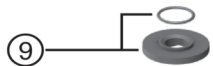
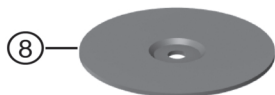
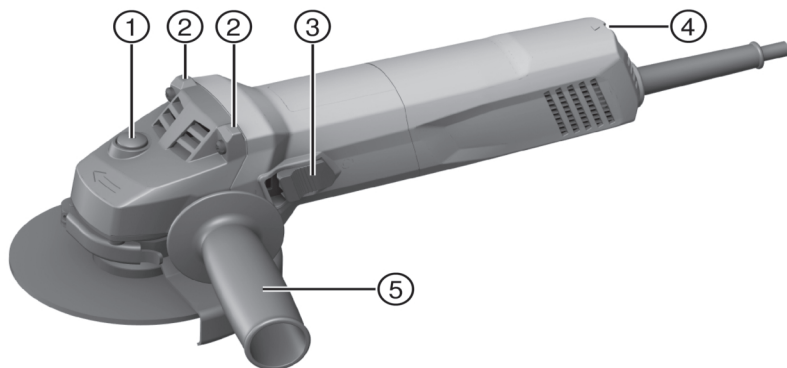




AG 125-7SE (05)
AG 125-8SE (05)

English
עברית

1
15



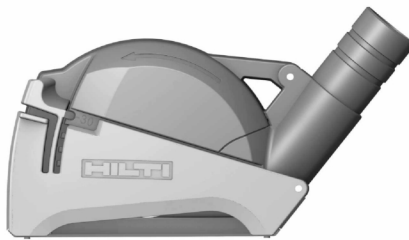
2



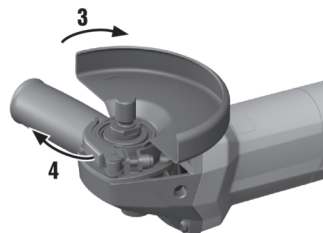
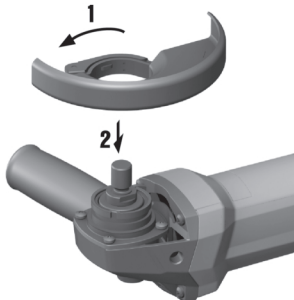
3



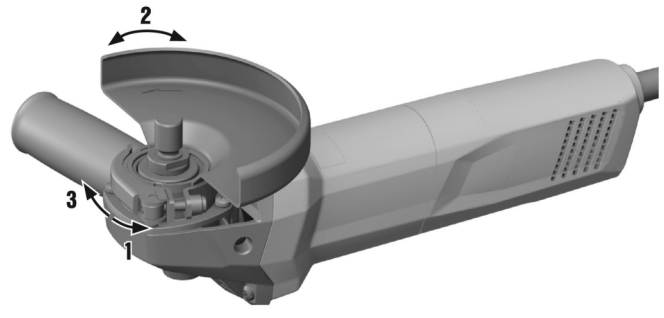
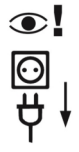
4



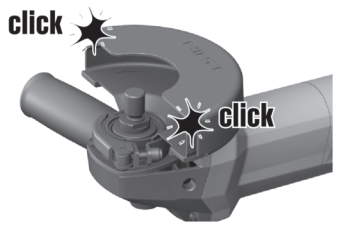
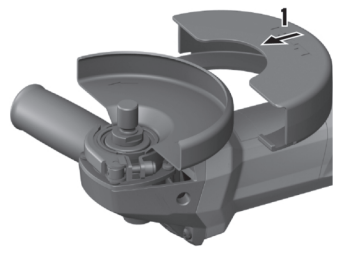
5



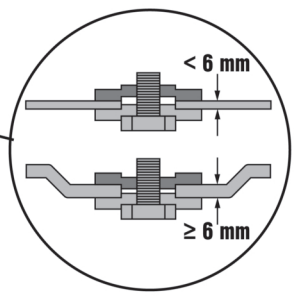
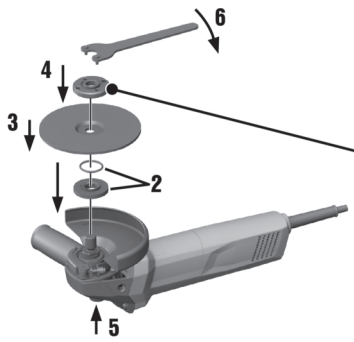
6



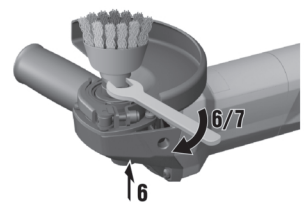
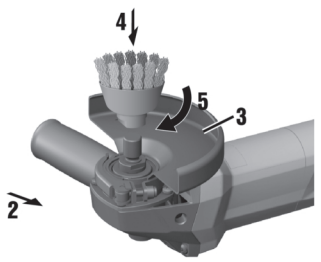
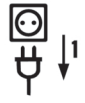
7



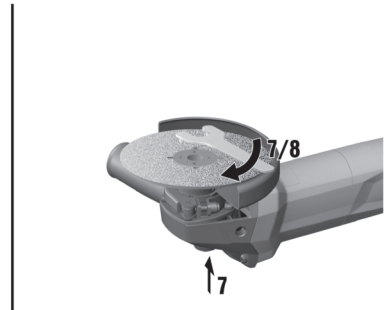
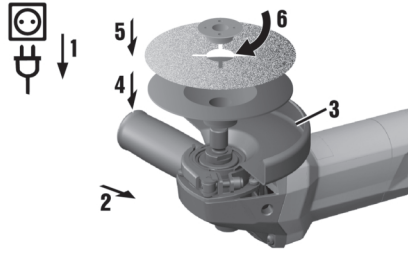
8



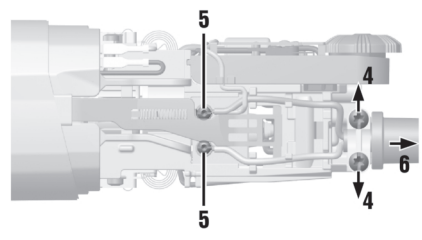
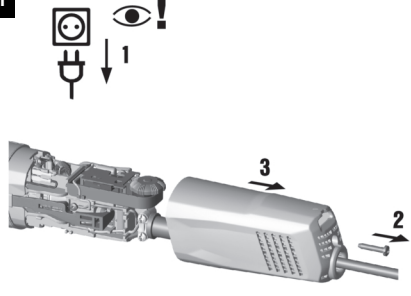
9



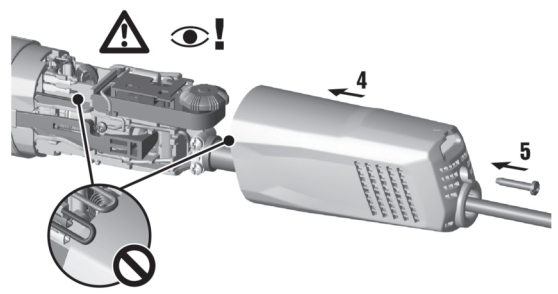
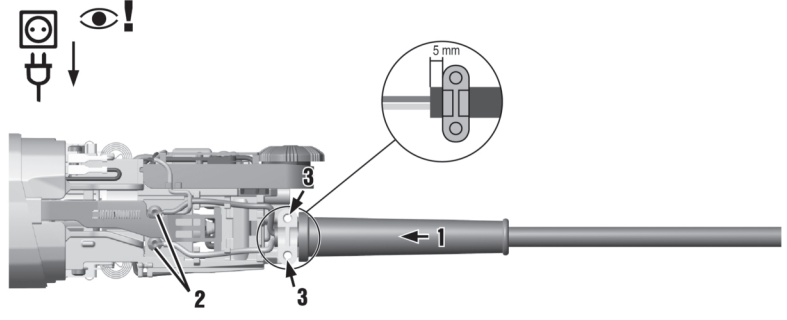
10

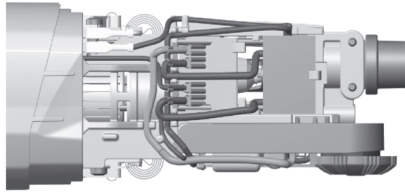
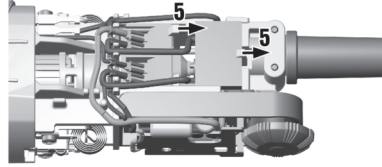
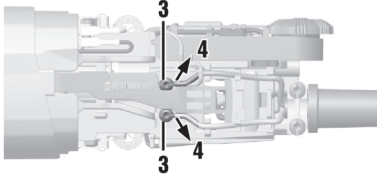
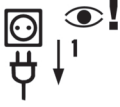


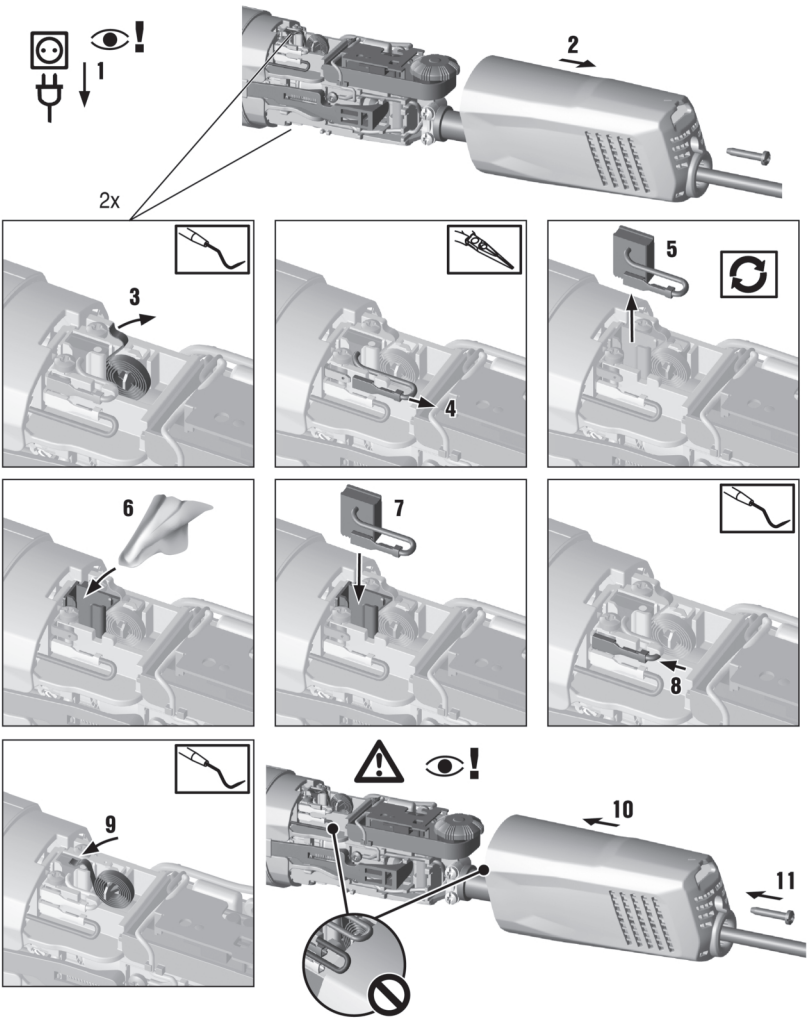
11



12







AG 125-7SE

AG 125-8SE

en	Original operating instructions	1
he	הוראות הפעלה מקוריות	15

Original operating instructions

1 Information about the operating instructions

1.1 About these operating instructions

- **Warning!** Read and understand all accompanying documentation, including but not limited to instructions, safety warnings, illustrations, and specifications provided with this product. Familiarize yourself with all the instructions, safety warnings, illustrations, specifications, components, and functions of the product before use. Failure to do so may result in electric shock, fire, and/or serious injury. Save all warnings and instructions for future reference.
- products are designed for professional users and only trained, authorized personnel are permitted to operate, service and maintain the products. This personnel must be specifically informed about the possible hazards. The product and its ancillary equipment can present hazards if used incorrectly by untrained personnel or if used not in accordance with the intended use.
- The accompanying documentation corresponds to the current state of the art at the time of printing. Please always check for the latest version on the product's page on Hilti's website. To do this, follow the link or scan the QR code in this documentation, marked with the symbol
- Ensure that these operating instructions are with the product when it is given to other persons.

1.2 Explanation of symbols

1.2.1 Warnings

Warnings alert persons to hazards that occur when handling or using the product. The following signal words are used:

DANGER

DANGER !

- ▶ Draws attention to imminent danger that will lead to serious personal injury or fatality.

WARNING

WARNING !

- ▶ Draws attention to a potential threat of danger that can lead to serious injury or fatality.

CAUTION

CAUTION !

- ▶ Draws attention to a potentially dangerous situation that could lead to personal injury or damage to the equipment or other property.

1.2.2 Symbols in the operating instructions

The following symbols are used in these operating instructions:

	Comply with the operating instructions
	Instructions for use and other useful information
	Dealing with recyclable materials
	Do not dispose of electric equipment and batteries as household waste

1.2.3 Symbols in illustrations

The following symbols are used in illustrations:

2	These numbers refer to the illustrations at the beginning of these operating instructions.
3	The numbers in illustrations refer to important work steps or to components important for the work steps. In the text, the corresponding numbers draw attention to these work steps or components, e.g. (3) .



11	Item reference numbers are used in the overview illustration and refer to the numbers used in the key in the product overview section.
	This symbol is intended to draw your special attention to certain points for handling the product.

1.3 Product-dependent symbols

1.3.1 Symbols on the product

The following symbols are used on the product:

	Always work with both hands.
	Do not work with the standard guard when carrying out cutting work.
	Wear eye protection
/min	Revolutions per minute
RPM	Revolutions per minute
n_0	Rated speed under no load
\varnothing	Diameter
	Protection class II (double-insulated)

1.4 Product information

Hilti products are designed for professional use and may be operated, serviced and maintained only by trained, authorized personnel. This personnel must be informed of any particular hazards that may be encountered. The product and its ancillary equipment may present hazards when used incorrectly by untrained personnel or when used not as directed.

The type designation and serial number are printed on the rating plate.

- ▶ Write down the serial number in the table below. You will be required to state the product details when contacting Hilti Service or your local Hilti organization to enquire about the product.

Product information 2

Product information

Angle grinder	AG 125-8SE AG 125-7SE
Generation	05
Serial no.	

1.5 Declaration of conformity

We declare, on our sole responsibility, that the product described here complies with the applicable directives and standards. A copy of the declaration of conformity can be found at the end of this documentation.

The technical documentation is filed here:

Hilti Entwicklungsgesellschaft mbH | Tool Certification | Hiltistrasse 6 | 86916 Kaufering, Germany

2 Safety

2.1 General power tool safety warnings

⚠ WARNING Read all safety warnings, instructions, illustrations and specifications provided with this power tool. Failure to follow all instructions listed below may result in electric shock, fire and/or serious injury. **Save all warnings and instructions for future reference.**

The term "power tool" in the warnings refers to your mains-operated (corded) power tool or battery-operated (cordless) power tool.



Work area safety

- ▶ **Keep work area clean and well lit.** Cluttered or dark areas invite accidents.
- ▶ **Do not operate power tools in explosive atmospheres, such as in the presence of flammable liquids, gases or dust.** Power tools create sparks which may ignite the dust or fumes.
- ▶ **Keep children and bystanders away while operating a power tool.** Distractions can cause you to lose control.

Electrical safety

- ▶ **Power tool plugs must match the outlet. Never modify the plug in any way. Do not use any adapter plugs with earthed (grounded) power tools.** Unmodified plugs and matching outlets will reduce risk of electric shock.
- ▶ **Avoid body contact with earthed or grounded surfaces, such as pipes, radiators, ranges and refrigerators.** There is an increased risk of electric shock if your body is earthed or grounded.
- ▶ **Do not expose power tools to rain or wet conditions.** Water entering a power tool will increase the risk of electric shock.
- ▶ **Do not abuse the cord. Never use the cord for carrying, pulling or unplugging the power tool. Keep cord away from heat, oil, sharp edges or moving parts.** Damaged or entangled cords increase the risk of electric shock.
- ▶ **When operating a power tool outdoors, use an extension cord suitable for outdoor use.** Use of a cord suitable for outdoor use reduces the risk of electric shock.
- ▶ **If operating a power tool in a damp location is unavoidable, use a residual current device (RCD) protected supply.** Use of an RCD reduces the risk of electric shock.

Personal safety

- ▶ **Stay alert, watch what you are doing and use common sense when operating a power tool. Do not use a power tool while you are tired or under the influence of drugs, alcohol or medication.** A moment of inattention while operating power tools may result in serious personal injury.
- ▶ **Use personal protective equipment. Always wear eye protection.** Protective equipment such as a dust mask, non-skid safety shoes, hard hat or hearing protection used for appropriate conditions will reduce personal injuries.
- ▶ **Prevent unintentional starting. Ensure the switch is in the off-position before connecting to power source and/or battery pack, picking up or carrying the tool.** Carrying power tools with your finger on the switch or energising power tools that have the switch on invites accidents.
- ▶ **Remove any adjusting key or wrench before turning the power tool on.** A wrench or a key left attached to a rotating part of the power tool may result in personal injury.
- ▶ **Do not overreach. Keep proper footing and balance at all times.** This enables better control of the power tool in unexpected situations.
- ▶ **Dress properly. Do not wear loose clothing or jewellery. Keep your hair and clothing away from moving parts.** Loose clothes, jewellery or long hair can be caught in moving parts.
- ▶ **If devices are provided for the connection of dust extraction and collection facilities, ensure these are connected and properly used.** Use of dust collection can reduce dust-related hazards.
- ▶ **Do not let familiarity gained from frequent use of tools allow you to become complacent and ignore tool safety principles.** A careless action can cause severe injury within a fraction of a second.

Power tool use and care

- ▶ **Do not force the power tool. Use the correct power tool for your application.** The correct power tool will do the job better and safer at the rate for which it was designed.
- ▶ **Do not use the power tool if the switch does not turn it on and off.** Any power tool that cannot be controlled with the switch is dangerous and must be repaired.
- ▶ **Disconnect the plug from the power source and/or remove the battery pack, if detachable, from the power tool before making any adjustments, changing accessories, or storing power tools.** Such preventive safety measures reduce the risk of starting the power tool accidentally.
- ▶ **Store idle power tools out of the reach of children and do not allow persons unfamiliar with the power tool or these instructions to operate the power tool.** Power tools are dangerous in the hands of untrained users.
- ▶ **Maintain power tools and accessories. Check for misalignment or binding of moving parts, breakage of parts and any other condition that may affect the power tool's operation. If damaged, have the power tool repaired before use.** Many accidents are caused by poorly maintained power tools.
- ▶ **Keep cutting tools sharp and clean.** Properly maintained cutting tools with sharp cutting edges are less likely to bind and are easier to control.



- ▶ **Use the power tool, accessories and tool bits etc. in accordance with these instructions, taking into account the working conditions and the work to be performed.** Use of the power tool for operations different from those intended could result in a hazardous situation.
- ▶ **Keep handles and grasping surfaces dry, clean and free from oil and grease.** Slippery handles and grasping surfaces do not allow for safe handling and control of the tool in unexpected situations.

Service

- ▶ **Have your power tool serviced by a qualified repair person using only identical replacement parts.** This will ensure that the safety of the power tool is maintained.

2.2 Safety instructions for all operations

Safety warnings common for grinding, sanding, wire brushing or cutting-off operations:

- ▶ **This power tool is intended to function as a grinder, sander, wire brush or cut-off tool. Read all safety warnings, instructions, illustrations and specifications provided with this power tool.** Failure to follow all instructions listed below may result in electric shock, fire and/or serious injury.
- ▶ **Operations such as polishing or hole cutting are not to be performed with this power tool.** Operations for which the power tool was not designed may create a hazard and cause personal injury.
- ▶ **Do not convert this power tool to operate in a way which is not specifically designed and specified by the tool manufacturer.** Such a conversion may result in a loss of control and cause serious personal injury.
- ▶ **Do not use accessories which are not specifically designed and specified by the tool manufacturer.** Just because the accessory can be attached to your power tool, it does not assure safe operation.
- ▶ **The rated speed of the accessory must be at least equal to the maximum speed marked on the power tool.** Accessories running faster than their rated speed can break and fly apart.
- ▶ **The outside diameter and the thickness of your accessory must be within the capacity rating of your power tool.** Incorrectly sized accessories cannot be adequately guarded or controlled.
- ▶ **The dimensions of the accessory mounting must fit the dimensions of the mounting hardware of the power tool.** Accessories that do not match the mounting hardware of the power tool will run out of balance, vibrate excessively and may cause loss of control.
- ▶ **Do not use a damaged accessory. Before each use inspect the accessory such as abrasive wheels for chips and cracks, backing pad for cracks, tear or excess wear, wire brush for loose or cracked wires. If power tool or accessory is dropped, inspect for damage or install an undamaged accessory. After inspecting and installing an accessory, position yourself and bystanders away from the plane of the rotating accessory and run the power tool at maximum no-load speed for one minute.** Damaged accessories will normally break apart during this test time.
- ▶ **Wear personal protective equipment. Depending on application, use face shield, safety goggles or safety glasses. As appropriate, wear dust mask, hearing protectors, gloves and workshop apron capable of stopping small abrasive or workpiece fragments.** The eye protection must be capable of stopping flying debris generated by various applications. The dust mask or respirator must be capable of filtering particles generated by the particular application. Prolonged exposure to high intensity noise may cause hearing loss.
- ▶ **Keep bystanders a safe distance away from work area. Anyone entering the work area must wear personal protective equipment.** Fragments of workpiece or of a broken accessory may fly away and cause injury beyond immediate area of operation.
- ▶ **Hold the power tool by insulated gripping surfaces only, when performing an operation where the cutting accessory may contact hidden wiring or its own cord.** Cutting accessory contacting a "live" wire may make exposed metal parts of the power tool "live" and could give the operator an electric shock.
- ▶ **Position the cord clear of the spinning accessory.** If you lose control, the cord may be cut or snagged and your hand or arm may be pulled into the spinning accessory.
- ▶ **Never lay the power tool down until the accessory has come to a complete stop.** The spinning accessory may grab the surface and pull the power tool out of your control.
- ▶ **Do not run the power tool while carrying it at your side.** Accidental contact with the spinning accessory could snag your clothing, pulling the accessory into your body.
- ▶ **Regularly clean the power tool's air vents.** The motor's fan will draw the dust inside the housing and excessive accumulation of powdered metal may cause electrical hazards.
- ▶ **Do not operate the power tool near flammable materials.** Sparks could ignite these materials.
- ▶ **Do not use accessories that require liquid coolants.** Using water or other liquid coolants may result in electrocution or shock.



Kickback and related warnings

Kickback is a sudden reaction to a pinched or snagged rotating wheel, backing pad, brush or any other accessory. Pinching or snagging causes rapid stalling of the rotating accessory which in turn causes the uncontrolled power tool to be forced in the direction opposite of the accessory's rotation at the point of the binding.

For example, if an abrasive wheel is snagged or pinched by the workpiece, the edge of the wheel that is entering into the pinch point can dig into the surface of the material causing the wheel to climb out or kick out. The wheel may either jump toward or away from the operator, depending on direction of the wheel's movement at the point of pinching. Abrasive wheels may also break under these conditions.

Kickback is the result of power tool misuse and / or incorrect operating procedures or conditions and can be avoided by taking proper precautions as given below.

- ▶ **Maintain a firm grip with both hands on the power tool and position your body and arms to allow you to resist kickback forces. Always use auxiliary handle, if provided, for maximum control over kickback or torque reaction during start-up.** The operator can control torque reactions or kickback forces, if proper precautions are taken.
- ▶ **Never place your hand near the rotating accessory.** Accessory may kickback over your hand.
- ▶ **Do not position your body in the area where power tool will move if kickback occurs.** Kickback will propel the tool in direction opposite to the wheel's movement at the point of snagging.
- ▶ **Use special care when working corners, sharp edges etc. Avoid bouncing and snagging the accessory.** Corners, sharp edges or bouncing have a tendency to snag the rotating accessory and cause loss of control or kickback.
- ▶ **Do not attach a saw chain woodcarving blade, segmented diamond wheel with a peripheral gap greater than 10 mm or toothed saw blade.** Such blades create frequent kickback and loss of control.

Safety warnings specific for grinding and cutting-off operations:

- ▶ **Use only wheel types that are specified for your power tool and the specific guard designed for the selected wheel.** Wheels for which the power tool was not designed cannot be adequately guarded and are unsafe.
- ▶ **The grinding surface of centre depressed wheels must be mounted below the plane of the guard lip.** An improperly mounted wheel that projects through the plane of the guard lip cannot be adequately protected.
- ▶ **The guard must be securely attached to the power tool and positioned for maximum safety, so the least amount of wheel is exposed towards the operator.** The guard helps to protect the operator from broken wheel fragments, accidental contact with wheel and sparks that could ignite clothing.
- ▶ **Wheels must be used only for specified applications. For example: do not grind with the side of cut-off wheel.** Abrasive cut-off wheels are intended for peripheral grinding, side forces applied to these wheels may cause them to shatter.
- ▶ **Always use undamaged wheel flanges that are of correct size and shape for your selected wheel.** Proper wheel flanges support the wheel thus reducing the possibility of wheel breakage. Flanges for cut-off wheels may be different from grinding wheel flanges.
- ▶ **Do not use worn down wheels from larger power tools.** A wheel intended for larger power tool is not suitable for the higher speed of a smaller tool and may burst.
- ▶ **When using dual purpose wheels always use the correct guard for the application being performed.** Failure to use the correct guard may not provide the desired level of guarding, which could lead to serious injury.

Additional safety warnings specific for cutting-off operations:

- ▶ **Do not "jam" the cut-off wheel or apply excessive pressure. Do not attempt to make an excessive depth of cut.** Overstressing the wheel increases the loading and susceptibility to twisting or binding of the wheel in the cut and the possibility of kickback or wheel breakage.
- ▶ **Do not position your body in line with and behind the rotating wheel.** When the wheel, at the point of operation, is moving away from your body, the possible kickback may propel the spinning wheel and the power tool directly at you.
- ▶ **When the wheel is binding or when interrupting a cut for any reason, switch off the power tool and hold it motionless until the wheel comes to a complete stop. Never attempt to remove the cut-off wheel from the cut while the wheel is in motion otherwise kickback may occur.** Investigate and take corrective action to eliminate the cause of wheel binding.
- ▶ **Do not restart the cutting operation in the workpiece. Let the wheel reach full speed and carefully re-enter the cut.** The wheel may bind, walk up or kickback if the power tool is restarted in the workpiece.
- ▶ **Support panels or any oversized workpiece to minimize the risk of wheel pinching and kickback.** Large workpieces tend to sag under their own weight. Supports must be placed under the workpiece near the line of cut and near the edge of the workpiece on both sides of the wheel.



- ▶ **Use extra caution when making a "pocket cut" into existing walls or other blind areas.** The protruding wheel may cut gas or water pipes, electrical wiring or objects that can cause kickback.
- ▶ **Do not attempt to do curved cutting.** Overstressing the wheel increases the loading and susceptibility to twisting or binding of the wheel in the cut and the possibility of kickback or wheel breakage, which can lead to serious injury.

Safety warnings specific for sanding operations:

- ▶ **Use proper sized sanding disc paper. Follow manufacturers recommendations, when selecting sanding paper.** Larger sanding paper extending too far beyond the sanding pad presents a laceration hazard and may cause snagging, tearing of the disc or kickback.

Safety warnings specific for wire brushing operations:

- ▶ **Be aware that wire bristles are thrown by the brush even during ordinary operation. Do not overstress the wires by applying excessive load to the brush.** The wire bristles can easily penetrate light clothing and / or skin.
- ▶ **If the use of a guard is specified for wire brushing, do not allow any interference of the wire wheel or brush with the guard.** Wire wheel or brush may expand in diameter due to work load and centrifugal forces.

2.3 Additional safety instructions

Personal safety

- ▶ Use the product and accessories only when they are in perfect working order.
- ▶ Never tamper with or modify the product or accessories in any way.
- ▶ Do not touch rotating parts – risk of injury!
- ▶ Wear protective gloves when changing the accessory tool. Touching the accessory tool can result in cuts and burns.
- ▶ Dust produced by grinding, sanding, cutting and drilling can contain dangerous chemicals. Some examples are: lead or lead-based paints; brick, concrete and other masonry products, natural stone and other products containing silicates; certain types of wood, such as oak, beech and chemically treated wood; asbestos or materials that contain asbestos. Determine the exposure of the operator and bystanders by means of the hazard classification of the materials to be worked. Implement the necessary measures to restrict exposure to a safe level, for example by the use of a dust collection system or by the wearing of suitable respiratory protection. The general measures for reducing exposure include:
 - ▶ working in an area that is well ventilated,
 - ▶ avoidance of prolonged contact with dust,
 - ▶ directing dust away from the face and body,
 - ▶ wearing protective clothing and washing exposed areas of the skin with water and soap.
- ▶ Take frequent breaks and do physical exercises to improve the blood circulation in your fingers. High vibration during long periods of work can lead to disorders of the blood vessels and nervous system in the fingers, hands and wrists.

Electrical safety

- ▶ Before beginning work, check the working area for concealed electric cables or gas and water pipes. External metal parts of the product could give you an electric shock or cause an explosion if you accidentally damage an electric cable or a gas or water pipe.

Power tool use and care

- ▶ Do not use cut-off wheels for grinding.
- ▶ Tighten the accessory tool and flange securely. If the accessory tool and flange are not tightened securely, the accessory tool may work loose from the arbor due to the braking effect of the motor after switching off.
- ▶ Secure the workpiece. Use clamps or a bench vise to hold the workpiece in position. The workpiece is thus held more securely than by hand and both hands remain free to operate the product.
- ▶ Grinding wheels must be stored and handled carefully in accordance with the manufacturer's instructions.

Additional notes on the use of the guards

To avoid the risks below always use the correct guard, see the section headed: "Suitability of wheels for the equipment used".

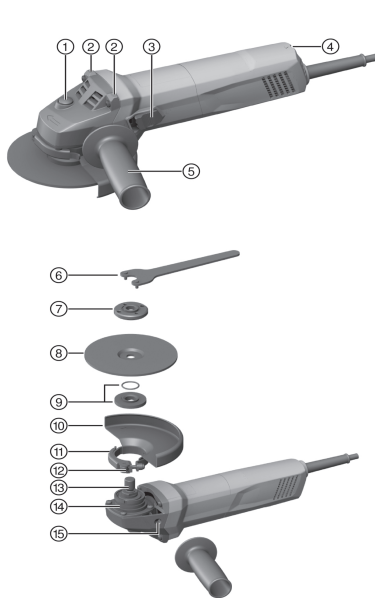
- ▶ If the Standard guard with front cover is used for surface grinding, the guard can touch the workpiece and thus lead to loss of control.
- ▶ If a wire brush of a thickness exceeding the maximum permissible thickness is used, the wires can snag on the guard and break.



- ▶ If the standard guard is used for cutting off metal with an abrasive cut-off wheel, there is an increased risk of exposure to sparks and particles and to wheel fragments if the wheel breaks.
- ▶ If the standard guard is used with or without front cover for cutting or for grinding concrete or masonry, there is a higher dust load and an increased risk of losing control of the product, which can lead to kickbacks.

3 Description

3.1 Product overview



- ① Arbor lockbutton
- ② Steadying rib for set-down
- ③ On/off switch
- ④ Speed adjustment thumbwheel
- ⑤ Side handle
- ⑥ Pin wrench
- ⑦ Clamping nut
- ⑧ Abrasive cut-off wheel/abrasive grinding disc
- ⑨ Clamping flange with O-ring
- ⑩ Guard
- ⑪ Clamping lever
- ⑫ Adjusting screw
- ⑬ Arbor
- ⑭ Keyed locating lug
- ⑮ Threaded socket for side handle

3.2 Intended use

The product described is a hand-held electric angle grinder. It is designed for cutting, grinding and sanding metal and mineral materials without use of water.

The tool may be operated only when connected to a power supply providing a voltage and frequency in compliance with the information given on its rating plate.

- The power tool may be used for cutting, slitting and grinding mineral materials only when equipped with the corresponding guard and front cover.
- A dust removal hood together with a suitable **Hilti** vacuum cleaner must be used for working on mineral materials such as concrete or stone.

3.3 Items supplied

Angle grinder, side handle, standard guard, front cover, clamping flange, clamping nut, wrench, operating instructions.

Other system products approved for use with this product can be found at your local **Hilti Store** or online at: www.hilti.group | USA: www.hilti.com

3.4 Speed preselection

This angle grinder has adjustable speed preselection with 6 speeds:

- AG 125 7SE: 6000 - 11500 rpm
- AG 125 8SE: 3500 - 11500 rpm



3.5 Restart interlock

The power tool does not restart by itself when the on/off switch is locked in the on-position and the power returns after an interruption in the electric supply. The on/off switch must first be released and then pressed again to restart.

3.6 Front cover for the guard

Use the standard guard with front cover for the applications listed below:

- Grinding with straight grinding wheels
- Cutting with cut-off wheels

3.7 DG-EX 115/4,5" dust hood for grinding (accessory)

The grinding system is suitable only for occasional use with diamond cup wheels for grinding mineral materials.

CAUTION Use of this hood for working on metal is prohibited.

3.8 DC-EX 125/5"C dust hood for cutting (accessory)

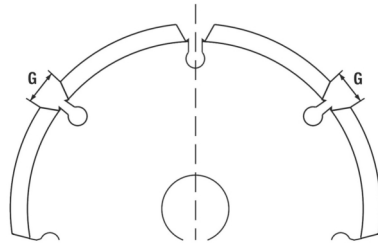
Use the DC-EX 125/5"C dust hood when cutting masonry and concrete.

CAUTION Use of this hood for working on metal is prohibited.

3.9 Dimensions and format of suitable diamond slitting wheels

Diamond slitting wheels must meet the following requirements in terms of dimensions and format.

Technical data	
Slot width between segments (G)	≤ 10 mm
Cutting angle	Negative



4 Consumables

Use only synthetic-resin-bonded, fiber-reinforced wheels with a maximum \varnothing of 125 mm approved for a rotational speed of at least 11500 rpm and a peripheral speed of 80 m/s.

WARNING! When cutting or slitting with cut-off wheels, always use the standard guard with additional cover plate.

Wheels

	Application	Designation	Material	max. thickness	max. diameter
Abrasive cut-off wheel	Cutting, slitting	AC-D	Metal	2.5 mm	125 mm
Diamond cut-off wheel	Cutting, slitting	DC-TP, DC-D (SPX, SP, P)	Mineral	3 mm	125 mm
Abrasive grinding wheel	Rough grinding	AG-D, AF-D, AN-D	Metal	6.4 mm	125 mm
Diamond grinding wheel	Rough grinding	DG-CW (SPX, SP, P)	Mineral	—	125 mm
Wire brush	Wire brushes	3CS, 4CS, 3SS, 4SS	Metal	— 27 mm	75 mm 125 mm
Abrasive resin-fiber wheel	Rough grinding	AP-D	Metal	—	125 mm



Suitability of discs for the equipment used

Item	Equipment	AC-D	AG-D, AF-D, AN-D	DG-CW (SPX, SP, P)	DC-TP, DC-D (SPX, SP, P)	AP-D	3CS, 4CS, 3SS, 4SS
A	Guard	X	X	X	X	X	X
B	Front cover (in combination with A)	X	—	—	X	—	—
C	DG-EX 115/4.5" dust hood for grinding (only for 115 DG-CW)	—	—	X	—	—	—
D	DC-EX 125/5" C dust hood for cutting (only in conjunction with A)	—	—	—	X	—	—
E	Side handle	X	X	X	X	X	X
F	Clamping nut	X	X	X	X	—	—
G	Clamping flange	X	X	X	X	—	—
H	Clamping nut for abrasive resin-fiber disc	—	—	—	—	X	—
I	Support plate	—	—	—	—	X	—

5 Technical data

5.1 Angle grinder

For rated voltage, frequency, current and input power, please refer to the country-specific type identification plate.

If the device is powered by a generator or transformer, the generator or transformer's power output must be at least twice the rated input power shown on the type identification plate of the device. The operating voltage of the transformer or generator must always be within +5% and -15% of the rated voltage of the device.

	AG 125-7SE	AG 125-8SE
Rated power input	710 W	800 W
Rated speed	11,500 /min	11,500 /min
Maximum disc diameter	125 mm	125 mm
Drive spindle thread	M14	M14
Spindle length	22 mm	22 mm
Weight in accordance with EPTA procedure 01	2.0 kg	2.0 kg

5.2 Noise information and vibration values in accordance with EN 62841

The sound pressure and vibration values given in these instructions have been measured in accordance with a standardized test and may be used to compare one power tool with another. They may be used for a preliminary assessment of exposure.

The data given represent the main applications of the power tool. However, if the power tool is used for different applications, with different accessory tools, or is poorly maintained, the data can vary. This can significantly increase exposure over the total working period.

An accurate estimation of exposure should also take into account the times when the power tool is switched off, or when it is running but not actually being used for a job. This can significantly reduce exposure over the total working period.

Identify additional safety measures to protect the operator from the effects of noise and/or vibration, for example: Maintaining the power tool and accessory tools, keeping the hands warm, organization of work patterns.

Grinding thin sheet metal or other large-area structures prone to vibration can lead to increased noise emissions higher than the stated noise emission values. You can reduce the noise emissions produced in



this way by adopting noise-reducing measures such as the application of heavy, flexible insulating mats. Always take these increased values into consideration as well in the hazard assessment of noise exposure and in the choice of suitable hearing protection.

Noise emission values

	AG 125-7SE	AG 125-8SE
Sound power level (L_{WA})	96 dB(A)	96 dB(A)
Uncertainty for the sound power level (K_{WA})	3 dB(A)	3 dB(A)
Emission sound pressure level (L_{pA})	88 dB(A)	88 dB(A)
Uncertainty for the sound pressure level (K_{pA})	3 dB(A)	3 dB(A)

Total vibration

	AG 125-7SE	AG 125-8SE
Surface grinding with the vibration-absorbing side handle ($a_{h,AG}$)	4.8 m/s ²	4.8 m/s ²
Sanding ($a_{h,DS}$)	3.6 m/s ²	3.6 m/s ²
Uncertainty (K)	1.5 m/s ²	1.5 m/s ²

6 Operation

6.1 Preparations at the workplace



CAUTION

Risk of injury! Inadvertent starting of the product.

- ▶ Unplug the supply cord before making adjustments to the power tool or before changing accessories.

Observe the safety instructions and warnings in this documentation and on the product.

6.2 Fitting the side handle

- ▶ Screw the side handle into one of the threaded bushings provided.

6.3 Guard

- ▶ Observe the instructions for fitting the applicable guard.

6.3.1 Fitting the guard



The keying on the guard ensures that only a guard designed for use with the power tool can be fitted. The keyed locating lug also prevents the guard from coming into contact with the disc.

1. Release the clamping lever.
2. Fit the guard onto the spindle collar so that the keyed locating lug engages in the recess provided.
3. Rotate the guard to the required position.
4. Secure the guard by closing the clamping lever.



The guard is already set to the correct tension by way of the adjusting screw. If the tension is too low when the guard is fitted, the adjusting screw can be tightened slightly to increase the tension.

6.3.2 Adjusting the guard

1. Release the clamping lever.
2. Turn the guard to the required position.
3. Secure the guard by closing the clamping lever.

6.3.3 Removing the guard

1. Release the clamping lever.
2. Rotate the guard until the keyed locating lug is aligned with the keyed locating groove and then remove the guard.



6.4 Fitting or removing the front cover

1. Position the front cover with the closed side on the standard guard and push it on until it engages.
2. To remove it, release the catch for the front cover and then lift the front cover away from the standard guard.

6.5 Fitting or removing the discs

CAUTION

Risk of injury. The accessory tool may be hot.

- ▶ Wear protective gloves when changing the accessory tool.



Diamond discs must be replaced when their cutting or grinding performance drops significantly. This generally is the case when the diamond segments reach a height of less than 2 mm (1/16").

Other discs must be replaced when their cutting performance drops significantly or other parts of the angle grinder (not the disc) come into contact with the material you are working on.

Abrasive discs must be replaced when their expiry date has been reached.

6.5.1 Fitting the grinding disc

1. Disconnect the mains plug from the power outlet.
2. Check that the O-ring is in place in the clamping flange and that it is undamaged.

Result

The O-ring is damaged.

There is no O-ring in the clamping flange.

- ▶ Fit a new clamping flange with O-ring.
3. Fit the clamping flange onto the drive spindle.
 4. Fit the grinding disc.
 5. Screw on the clamping nut corresponding to the type of accessory tool fitted.
 6. Press the spindle lockbutton and hold it in this position.
 7. Use the pin wrench to tighten the clamping nut securely, then release the spindle lockbutton and remove the wrench.

6.5.2 Removing the grinding disc

1. Disconnect the mains plug from the power outlet.

WARNING

Risk of breakage and irreparable damage. If the spindle lockbutton is pressed while the spindle is rotating, the accessory tool can detach from the power tool.

- ▶ Press the spindle lockbutton only when the spindle has stopped rotating.
2. Press the spindle lockbutton and hold it in this position.
 3. Release the clamping nut by gripping it with the pin wrench and turning the nut counterclockwise.
 4. Release the spindle lockbutton and remove the grinding disc.

6.6 Fitting the wire brush

1. Disconnect the mains plug from the power outlet.
2. Fit the side handle. 10
3. Fit the guard. 10
4. Place the wire brush in position and tighten it hand-tight.
5. Press the spindle lockbutton and hold it in this position.
6. Tighten the wire brush with a suitable open-end wrench.
7. Then release the spindle lockbutton and remove the open-end wrench.

6.7 Fitting the abrasive resin-fiber disc

1. Disconnect the mains plug from the power outlet.
2. Fit the side handle. 10
3. Fit the guard. 10



4. Fit the support plate and the abrasive resin-fiber disc, screw on the clamping nut and tighten it securely.
5. Press the spindle lockbutton and hold it in this position.
6. Use the pin wrench to tighten the clamping nut securely, then release the spindle lockbutton and remove the wrench.

6.8 Operation

WARNING

Damaged power cords are a safety hazard! If the supply cord or extension cord is damaged while work is in progress, immediately disconnect the device and the cord from the electricity supply. Do not touch the damaged part of the cord.

- ▶ Regularly check all supply cords. Replace defective extension cords. Have damaged power cords replaced by a qualified specialist.

Use of a ground fault circuit interrupter (residual current device, RCD) with a maximum tripping current of 30 mA is recommended.

6.9 Switching on

1. Plug the supply cord into the power outlet.
2. Press the rear section of the on/off switch.
3. Slide the on/off switch forward.
4. Lock the on/off switch.
 - ▶ The motor runs.

6.10 Cutting

- ▶ When cutting, apply moderate feed pressure and do not tilt the power tool or the cut-off wheel (when working, hold at approx. 90° to the surface being cut).



For best results when cutting profiles and square tube, start cutting at the smallest cross section.

6.11 Rough grinding

WARNING

Risk of injury. The abrasive cut-off wheel could shatter and flying fragments may cause injury.

- ▶ Never use abrasive cut-off wheels for grinding.
- ▶ Move the power tool to and fro while maintaining a 5° to 30° angle of attack and applying moderate pressure.
 - ▶ This will avoid overheating and discoloration of the workpiece and help ensure an even surface finish.

6.12 Switching off

- ▶ Press the rear section of the on/off switch.
 - ▶ The on/off switch jumps into the off position and the motor stops.

7 Care and maintenance

7.1 Care and maintenance

WARNING

Electric shock hazard! Attempting care and maintenance with the supply cord connected to a power outlet can lead to severe injury and burns.

- ▶ Always unplug the supply cord before carrying out care and maintenance tasks.

Care

- Carefully remove stubborn dirt.
- Carefully clean the air vents, if present, with a dry, soft brush.



- Use only a slightly damp cloth to clean the housing. Do not use cleaning agents containing silicone as these can attack the plastic parts.

Maintenance

WARNING

Danger of electric shock! Improper repairs to electrical components may lead to serious injuries including burns.

- ▶ Repairs to the electrical section of the tool or appliance may be carried out only by trained electrical specialists.
-
- Check all visible parts and controls for signs of damage at regular intervals and make sure that they all function correctly.
 - Do not use the product if signs of damage are found or if parts malfunction. Immediately have the product repaired by **Hilti Service**.
 - After cleaning and maintenance, install all guards and protective devices and check that they are in full working order.



To help ensure safe and reliable operation, use only genuine Hilti spare parts, consumables and accessories. Spare parts, consumables and accessories approved by **Hilti** for use with your product can be found at your **Hilti Store** or online at: www.hilti.group

7.2 Replacing the supply cord

7.2.1 Removing the supply cord

1. Disconnect the supply cord plug from the power outlet.
2. Unscrew the screw in the rear part of the housing and remove the rear part of the housing.
3. Slacken the two strain relief clamp screws.
4. Unscrew the two screws and disconnect and remove the supply cord.

7.2.2 Fitting the supply cord

1. Work the supply cord into position in the rear part of the housing.
2. Push the supply cord through the protective sleeve.
3. Strip 5 mm of insulation off the ends of the conductors.
4. Insert both conductors under the strain relief clamp.
5. Slip the supply cord conductors underneath the two screws and tighten the screws (tightening torque: 0.5-0.8 Nm).
6. Position the supply cord so that the protective sleeve fits snugly, without a gap.
7. Make sure that the cable sheath projects 5 mm past the strain relief clamp and tighten the screws of the strain relief clamp (tightening torque: 1.35-1.75 Nm).
8. Close the housing and tighten the screw in the rear part of the housing (tightening torque: 1.35-1.75 Nm).

7.3 Replacing the on/off switch

1. Disconnect the supply cord plug from the power outlet.
2. Unscrew the screw in the rear part of the housing and remove the rear part of the housing.
3. Slacken the two screws and disconnect the two supply cord conductors.
4. Mark the positions of the flat plugs on the on/off switch.
5. Disconnect the four conductors from the on/off switch.
6. Remove the on/off switch by lifting the other tab.
7. Insert the new on/off switch.
8. Connect the four conductors to the on/off switch in accordance with the markings.
9. Slip the supply cord conductors underneath the two screws and tighten the screws (tightening torque: 0.5-0.8 Nm).
10. Close the housing and tighten the screw in the rear part of the housing (tightening torque: 1.35-1.75 Nm).

7.4 Replacing the carbon brushes

1. Disconnect the supply cord plug from the power outlet.
2. Unscrew the screw in the rear part of the housing and remove the rear part of the housing.
3. Use pliers to slide the spring plate to the side.



4. Remove the carbon brush with your fingers or with the aid of a suitable tool.
5. Unplug the carbon brush.
6. Plug in the new carbon brush.
7. Insert the new carbon brush into the cage.
8. Position the spring plate on the carbon brush and press the parts in firmly.
9. Replace the other carbon brush in the same way.
10. Close the housing and tighten the screw in the rear part of the housing (tightening torque: 1.35-1.75 Nm).

7.5 Checks after care and maintenance work

- ▶ After carrying out care and maintenance, check that all protective and safety devices are fitted and that they function faultlessly.

8 Transport and storage

- Do not transport electric tools with accessory tools fitted.
- Always unplug the supply cord before storing an electric tool or appliance.
- Store tools and appliances in a dry place where they cannot be accessed by children or unauthorized persons.
- Check electric tools or appliances for damage after long periods of transport or storage.

9 Troubleshooting

If the trouble you are experiencing is not listed in this table or you are unable to remedy the problem by yourself, contact **Hilti Service**.

Trouble or fault	Possible cause	Action to be taken
The tool doesn't start.	Interruption in the electric supply.	▶ Plug in another power tool or appliance and check whether it works.
	The supply cord or plug is defective.	▶ Remove the supply cord. 13
		▶ Fit the supply cord. 13
	The carbon brushes are worn.	▶ Replace the carbon brushes. 13
The tool doesn't work.	The tool has been overloaded.	▶ Release the on/off switch and then press it again. Then allow the power tool to run under no load for approx. 30 seconds.
The tool does not achieve full power.	The extension cord conductor cross section (gauge) is inadequate.	▶ Use an extension cord with an adequate conductor cross section.

10 Disposal

Most of the materials from which **Hilti** tools and appliances are manufactured can be recycled. The materials must be correctly separated before they can be recycled. In many countries, your old tools, machines or appliances can be returned to **Hilti** for recycling. Ask **Hilti Service** or your Hilti representative for further information.



- ▶ Do not dispose of power tools, electronic equipment or batteries as household waste!

11 Manufacturer's warranty

- ▶ Please contact your local **Hilti** representative if you have questions about the warranty conditions.



1 מידע על הוראות ההפעלה

1.1 על הוראות הפעלה אלו

- **אזהרה!** לפני השימוש במוצר יש לקרוא ולהבין את הוראות ההפעלה המצורפות למוצר, כולל ההערות, הוראות הבטיחות והאזהרות, האיורים והמפרטים. יש ללמוד במיוחד את כל הוראות הבטיחות, האזהרות, המפרטים והפונקציות השונות של המוצר. התעלמות מהנחיה זו מובילה לסכנת התחשמלות, שריפה ופציעות קשות. שמור את הוראות ההפעלה, כולל כל הוראות הבטיחות והאזהרות לצורך שימוש בעתיד.
- המוצרים של **HILTI** מיועדים למשתמש המקצועי, ורק אנשים מורשים, שעברו הכשרה מתאימה, רשאים לתפעל, לתחזק ולתקן אותם. אנשים אלה חייבים ללמוד באופן מיוחד את הסכנות האפשריות. המוצר המתואר והעדרים שלו עלולים להיות מסוכנים כאשר אנשים שלא עברו הכשרה מתאימה משתמשים בהם באופן לא מקצועי או כאשר משתמשים בהם שלא בהתאם לייעוד.
- הוראות ההפעלה המצורפות נכתבו בהתאם לידיעות הטכנולוגיות במועד השליחה לדפוס. את הגרסה העדכנית ביותר אפשר למצוא תמיד בדף המוצר של Hilti. כדי להגיע לשם, יש לסרוק את קוד ה-QR בהוראות ההפעלה האלה, מסומן בסמל .
- אם אתה מעביר את המוצר לאדם אחר, מסור לו גם את הוראות ההפעלה האלה.

1.2 הסבר הסימנים

1.2.1 אזהרות

האזהרות מזהירות מפני סכנות בשימוש במוצר. במדרג זה מופיעות מילות המפתח הבאות:



סכנה

סכנה!

מציינת סכנה מיידית, המובילה לפציעות גוף קשות או למוות.



אזהרה

אזהרה!

מציינת סכנה אפשרית, שיכולה להוביל לפציעות גוף קשות או למוות.



זהירות

זהירות!

מציינת מצב שעלול להיות מסוכן ולהוביל לפציעות גוף או לנזקים לרכוש.

1.2.2 סמלים בהוראות ההפעלה

הסמלים הבאים מופיעים בהוראות הפעלה אלה:

שים לב להוראות הפעלה	
הנחיות לשימוש ומידע שימושי נוסף	
טיפול נכון בחומרים למיחזור	
אין להשליך לפסולת הביתית מכשירים חשמליים וסוללות	

1.2.3 סמלים באיורים

הסמלים הבאים משמשים באיורים:

מספרים אלה מפנים לאיור המתאים בתחילת הוראות הפעלה אלה.	2
המספרים באיורים מפנים לשלבי עבודה חשובים או לרכיבים שחשובים לשלבי העבודה. שלבי עבודה אלה או רכיבים אלה מודגשים בטקסט במספרים מתאימים, (לדוגמה 3).	3
מספרי הפרטים מופיעים באיור סקירה ותואמים את המספרים במקרא בפרק סקירת המוצר .	11
סימן זה אמור לעורר את תשומת לבך המיוחדת בעת השימוש במוצר.	



1.3 סמלים ספציפיים למוצר

1.3.1 סמלים על המוצר

הסמלים הבאים מופיעים על המוצר:

	עבוד תמיד בשתי ידיים.
	בעבודות חיתוך אין לעבודה עם מגן הדיסק הרגיל.
	השתמש במגני עיניים
/min	סיבובים לדקה
RPM	סיבובים לדקה
n_0	מהירות סרק נקובה
\emptyset	קוטר
	דירוג הגנה II (בידוד כפול)

1.4 פרטי המוצר

המוצרים של Hilti מיועדים למשתמש המקצועי, ורק אנשים מורשים, שעברו הכשרה מתאימה, רשאים לתפעל, לתחזק ולתקן אותם. אנשים אלה חייבים ללמוד באופן מיוחד את הסכנות האפשריות. המוצר המתואר והעזרים שלו עלולים להיות מסוכנים כאשר אנשים שלא עברו הכשרה מתאימה משתמשים בהם באופן לא מקצועי או כאשר נעשה בהם שימוש שלא בהתאם לייעוד. שם הדגם והמספר הסידורי מצוינים על לוחית הדגם.

◀ רשום את המספר הסידורי בטבלה הבאה. בכל פנייה לנציגינו או למעבדת שירות יש לציין את נתוני המוצר.

נתוני המוצר 16

נתוני המוצר

AG 125-8SE AG 125-7SE	משחזת זווית
05	דור
	מס' סידורי

1.5 הצהרת תאימות

אנו מצהירים באחריותנו הבלעדית כי המוצר המתואר כאן תואם את התקנות והתקנים התקפים. בסוף תיעוד זה ישנו צילום של הצהרת התאימות.

התיעוד הטכני שמור כאן:

Hilti Entwicklungsgesellschaft mbH | Zulassung Geräte | Hiltistraße 6 | 86916 Kaufering, DE

2 בטיחות

2.1 הוראות בטיחות כלליות לכלי עבודה חשמליים

אזהרה קרא את כל הוראות הבטיחות, ההנחיות, האירוסים והנתונים הטכניים המצורפים לכלי העבודה החשמלי. אי ציות להנחיות עלול להוביל להתחשמלות, לשרפה ו/או לפציעות קשות.

שמור את כל הוראות הבטיחות וההנחיות לעיון בעתיד.

המונח "כלי עבודה חשמלי" המשמש בהוראות הבטיחות מתייחס לכלי עבודה חשמליים המחוברים לרשת החשמל (עם כבל חשמל) או לכלי עבודה חשמליים המופעלים באמצעות סוללה נטענת (ללא כבל חשמל).

בטיחות במקום העבודה

◀ **שמור על אזור העבודה שלך נקי ודאג לתאורה מספקת.** חוסר סדר או תאורה לקויה במקום העבודה עלולים לגרום לתאונות.

◀ **אין להפעיל את כלי העבודה החשמלי בסביבה שקיימת בה סכנת פיצוץ או שישים בה נוזלים, גדים או אבק דליקים.** כלי עבודה חשמליים יוצרים ניצוצות, שעלולים להצית את האבק או האדים.

◀ **הרחק ילדים ואנשים אחרים מכלי העבודה החשמלי במהלך השימוש בו.** אם דעתך תוסח אתה עלול לאבד את השליטה במכשיר.



בטיחות בחשמל

- ▶ **אל תשתמש בשקע מתאם ביחד עם כלי עבודה חשמליים הכוללים הגנת הארקה.** שימוש בתקעים חשמליים שלא עברו שינוי ושקעי חשמל מתאימים מפחית את הטיחות והתחשמלות.
- ▶ **מנע מגע של הגוף בשטחים מוארקים כגון צינורות, גופי חימום, תנורים ומקררים.** קיימת סכנה גבוהה להתחשמלות כאשר הגוף שלך מוארק.
- ▶ **הרחק כלי עבודה חשמליים מגשם או רטיבות.** חדירת מים לכלי העבודה החשמלי מגדילה את הסיכון להתחשמלות.
- ▶ **אל תשתמש בכלי החשמל למטרות שלא לשמן הוא נועד, לדוגמה: אל תרים את כלי העבודה החשמלי באמצעות הכבל ואל תנסה לנתק את התקע משקע החשמל במשיכה מהכבל.** הרחק את הכבל מחום, שמן, פינות חדות או מחלקים נעים. כבלים שניזוקו או שהסתבכו בחלקים אחרים מגדילים את הסיכון להתחשמלות.
- ▶ **כאשר אתה עובד עם כלי העבודה החשמלי בחוץ, השתמש רק בכבל מאריך המיועד לשימוש חיצוני.** שימוש בכבל מאריך המתאים לשימוש חיצוני מפחית את הסיכוי להתחשמלות.
- ▶ **אם לא ניתן להימנע משימוש בכלי העבודה החשמלי בסביבה לחה, השתמש במסר פחת.** השימוש במסר פחת מפחית את הסיכון להתחשמלות.

בטיחות של אנשים

- ▶ **היה ערני, שים לב למה שאתה עושה, ופעל בתבונה כאשר אתה עובד עם כלי עבודה חשמלי.** אל תפעיל כלי עבודה חשמליים כשאתה עייף או תחת השפעת סמים, אלכוהול או תרופות. די ברגע אחד של חוסר תשומת-לב בדמן השימוש בכלי העבודה החשמלי כדי לגרום פציעות קשות.
- ▶ **לבש תמיד ציוד מגן ומשקפי מגן.** לבישת ציוד מגן אישי, כגון מסכת אבק, נעלי בטיחות מונעות החלקה, קסדת מגן או מגני שמיעה - בהתאם לסוג השימוש בכלי העבודה החשמלי - מקטינה את הסיכון לפציעות.
- ▶ **מנע הפעלה בשוגג.** ודא שכלי העבודה החשמלי כבוי לפני שאתה מחבר אותו לאספקת החשמל ו/או לפני שאתה מחבר את הסוללה ולפני הרמתו. אל תניח את אצבעך על המתג בדמן שאתה נושא את המכשיר ואל לחבר אותו לאספקת החשמל כאשר הוא מופעל, אחרת עלולות להיגרם תאונות.
- ▶ **הרחק כלי כוונון או מפתחות ברגים לפני שאתה מפעיל את כלי העבודה החשמלי.** כלי עבודה או מפתחות הנמצאים בקרבת חלקים מסתובבים עלולים לגרום פציעות.
- ▶ **הימנע מתנוחות גוף לא נכונות. עמוד באופן יציב ושמור תמיד על שיווי משקל.** כך תוכל לשלוט טוב יותר בכלי העבודה החשמלי במצבים לא צפויים.
- ▶ **לבש בגדים מתאימים.** אל תלבש בגדים רחבים או תכשיטים. הרחק את השער, הבגדים וכפפות מחלקים נעים. בגדים רופפים, תכשיטים ושיער ארוך עלולים להיתפס בחלקים נעים.
- ▶ **כאשר ניתן להתקיין התקני שאיבת אבק ולכידה יש לוודא שהם מחוברים לחשמל, ויש להקפיד להשתמש בהם בצורה נכונה.** שימוש בהתקין שאיבת אבק מקטין את הסכנות הנובעות מהאבק.
- ▶ **אל תהיה שאנן בנושאי בטיחות ואל תתעלם מהוראות בטיחות של כלי עבודה חשמליים, גם אם שהשתמשת במכשיר פעמים רבות ואתה מכיר אותו היטב.** התנהגות רשלנית עלולה להוביל לפציעות קשות בתוך שניות.

שימוש וטיפול בכלי העבודה החשמלי

- ▶ **אל תפעיל עומס רב מדי על המכשיר.** השתמש בכלי העבודה החשמלי המתאים לעבודה שאתה מבצע. כלי העבודה החשמלי המתאים מבטיח לך עבודה טובה ובטוחה יותר בתחום ההספק הקבוע.
- ▶ **אל תשתמש בכלי העבודה אם המתג שלו אינו תקין.** כלי עבודה חשמלי שלא ניתן עוד להפעיל או לכבות אותו מהווה סכנה ויש לתקנו.
- ▶ **נתק את תקע החשמל מהשקע ו/או הסר את הסוללה לפני שאתה מבצע כוונונים במכשיר, מחליף כלים או לאחר שאתה מפסיק לעבוד עם המכשיר.** אמצעי זהירות זה מונע הפעלה בשוגג של כלי העבודה החשמלי.
- ▶ **שמור כלי עבודה חשמליים שאינם בשימוש הרחק מהישיג ידם של ילדים.** אל תאפשר לאנשים שאינם יודעים כיצד להשתמש במכשיר או שלא קראו את ההוראות להשתמש במכשיר. כלי עבודה חשמליים הם מסוכנים כאשר משתמשים בהם אנשים חסרי ניסיון.
- ▶ **טפל בכלי עבודה חשמליים ובאביזרים בהקפדה.** בדוק אם החלקים הנעים פועלים בצורה חלקה ואינם נתקעים, אם ישנם חלקים שבורים או מקולקלים המשבשים את הפעולה התקינה של כלי העבודה החשמלי. לפני השימוש במכשיר דאג לתיקון חלקים לא תקינים. תאונות רבות נגרמו עקב תחזוקה לקויה של כלי עבודה חשמליים.
- ▶ **שמור על כלי החיתוך חדים ונקיים.** כלי חיתוך מטופלים היטב, שלהביהם חדים בתקעים פחות וקלים יותר לתפעול.
- ▶ **השתמש בכלי העבודה החשמלי, באביזרים, בכלי העבודה הנוספים וכן הלאה בהתאם להוראות אלה.** התחשב בתנאי העבודה ובפעולה שעליך לבצע. שימוש בכלי העבודה החשמלי למטרות אחרות מאלה שלשמן הוא מיועד עלול להיות מסוכן.
- ▶ **שמור על ידיות ואזורי אחיזה נקיים מלכלוך משומן ומגריד.** ידיות ואזורי אחיזה חלקים אינם מאפשרים תפעול בטוח ושלטה טובה בכלי העבודה החשמלי במצבים לא צפויים.

שירות

- ▶ **דאג לתיקון כלי העבודה החשמלי שלך רק בידי טכנאים מוסמכים, המשתמשים בחלקי חילוף מקוריים בלבד.** כך תבטיח שמירה על בטיחות העבודה במכשיר.



- הנחיות בטיחות משותפות לעבודות ליטוש, ליטוש עם נייר לטש, עבודה עם מברשות ברזל וחיתוך בדיסק:**

 - ◀ **כלי עבודה חשמלי זה מיועד לשימוש כמשחזת, מלטשת נייר ליטוש, מברשת ברזל ומוכנת חיתוך. שים לב לכל הנחיות הבטיחות, ההוראות, האירוס והנתונים שקיבלת עם המכשיר. אם תתעלם מההנחיות הבאות, התוצאה עלולה להיות התחשמלות ו/או פציעות קשות.**
 - ◀ **אסור להשתמש בכלי עבודה חשמלי זה לחיתוך חורים ולהברקה.** שימוש במכשיר שלא למטרה שלשמה הוא יועד מהווה סכנה ועלול לגרום לפציעות.
- הנחיות בטיחות משותפות לעבודות ליטוש, ליטוש עם נייר ליטוש, עבודה עם מברשות ברזל וחיתוך:**

 - ◀ **כלי עבודה חשמלי זה מיועד לשימוש כמשחזת, מלטשת נייר ליטוש, מברשת ברזל ומוכנת חיתוך. שים לב לכל הנחיות הבטיחות, ההוראות, האירוס והנתונים שקיבלת עם המכשיר. אם תתעלם מההנחיות הבאות, התוצאה עלולה להיות התחשמלות ו/או פציעות קשות.**
 - ◀ **אסור להשתמש בכלי עבודה חשמלי זה להברקה ולחיתוך חורים.** שימוש במכשיר שלא למטרה שלשמה הוא יועד מהווה סכנה ועלול לגרום לפציעות.
 - ◀ **אל תשנה את כלי העבודה החשמלי הזה כך שהוא יתפקד באופן שונה מכפי שנקבע במפורש על ידי יצרן כלי העבודה.** שינוי מעין זה עלול להוביל אובדן שליטה בכלי ולפציעות קשות.
 - ◀ **אין להשתמש באביזרים שלא פותחו ואושרו על ידי היצרן במיוחד לשימוש בכלי עבודה חשמלי זה.** העבודה שאפשר לחבר את האביזר לכלי העבודה החשמלי אינה מבטיחה שהשימוש בו יהיה בטוח.
 - ◀ **מהירות הסיבוב המותרת של הכלי המחובר חייבת להיות גבוהה לפחות כמו המהירות המרבית המצוינת על כלי העבודה החשמלי.** כלי מחובר שמסתובב מהר מהמותר עלול להישר ולחזק בחלל.
 - ◀ **הקוטר החיצוני והעובי של הכלי המחובר חייבים להתאים לנתונים הדרושים לכלי העבודה שלך.** אביזרים במידות לא מתאימות עלולים להיות לא מוגנים מספיק או לעבוד ללא שליטה.
 - ◀ **כלים בעלי חיבור עם תברג חייבים להתאים בדיוק לתברג שבציר המשחזת. כללים הדורשים התקנה באמצעות אוגן, חייב קוטרו הקצו של הכלי להתאים לקוטרו הכניסה של האוגן.** כלים שאינם מחוברים בצורה מדויקת לכלי העבודה החשמלי יסתובבו בצורה לא חלקה, ירעדו חזק מאוד ועלולים לגרום לאבדן שליטה על כלי העבודה.
 - ◀ **אין להשתמש בכלים פגומים. לפני כל שימוש באביזר כגון דיסק השחזה בצבע בדיקה לאיתור שברים וסדקים, שחיקה או בלאי מוגבר, בדוק מברשות ברזל לאיתור חוטי ברזל משוחררים או שבורים. אם כלי העבודה או האביזר נופלים, בדוק אם הם נזרקו או השתמש במקום זאת באביזר שלא נזרק. לאחר שבדקת את הכלי וחיברת אותו, הרחק עצמך ואנשים הנמצאים בקרבת מקום אל מחוץ למישור התנועה של הכלי המסתובב, ואפשר למכשיר לעבוד דקה שלמה במהירות מרבית.** אביזר פגומים יישברו בדרך כלל במשך דקת הבדיקה.
 - ◀ **למש ציוד מגן אישי. השתמש – בהתאם לסוג העבודה – במשקפי מגן או במגן פנים מלא. לבש מסכת אבק, מגני כף יד, כפפות מגן או סינר מיוחד שיגן עליך מפני חלקיקי חומר – בהתאם לצורך. יש להגן על העיניים מפני גופים דרים שעפים בחלל, כפי שעלול להתרחש בעבודות מסוימות. מסכת אבק ומסכת הנשימה צריכות לסנן אבק שנוצר במהלך השימוש. חשיפה ממושכת לרעש עלולה לפגוע בשימיעה.**
 - ◀ **ודא שאנשים אחרים עומדים במרחק בטוח מאזור העבודה. כל מי שנכנס לאזור העבודה חייב ללבוש ציוד מגן אישי. חלקים הנשחרר מהחומר שבעבודה או שברים מהאביזר עלולים להתעופף בחלל ולגרום לפציעות גם מחוץ לאזור העבודה המידי.**
 - ◀ **כאשר אתה מבצע עבודות שבהן הכלי המחובר עלול לפגוע בקווי חשמלי מוסתרים או בכלל החשמל של המכשיר אחז בכלי העבודה החשמלי רק במקומות האחידה המבודדים. מגע בקווים המוליכים זרם עלול להעביר זרם גם לחלקים מתכתיים במכשיר שלך ולגרום להתחשמלות.**
 - ◀ **הרחק את כבל החשמל מהכלים המסתובבים. אם תאבד את השליטה במכשיר עלול כבל החשמל להיתוך או להיתפס, וכך היד או הזרוע שלך עלולות להיפגע מהכלי המסתובב.**
 - ◀ **לעולם אין להניח את כלי העבודה החשמלי לפני שהכלי המחובר נעצר. כלי מסתובב עשוי להיתקל במשטח שעליו הוא מונח, ובעקבות זאת כלי העבודה החשמלי עלול לנוע ללא שליטה.**
 - ◀ **אל תאפשר לכלי העבודה החשמלי לפעול אם אינך מחזיק אותו. הבגדים שלך עלולים להיתפס בכלי המסתובב, ובעקבות זאת הכלי עלול לחתוך בגופך.**
 - ◀ **קנה באופן סדיר את חריצי האוויר של כלי העבודה החשמלי שלך. מפוח המנוע מושך אבק לגוף המכשיר, והצטברות כמות גדולה של אבק מתכתי מהווה סכנה חשמלית.**
 - ◀ **אין להשתמש בכלי העבודה החשמלי בקרבת חומרים דליקים. ניצוצות עלולים להצית אותם.**
 - ◀ **אין להשתמש באביזרים הדורשים חומרי קירור נוזליים. שימוש במים או בחומרי קירור נוזליים אחרים עלול לגרום להתחשמלות.**
- רתע והנחיות בטיחות מתאימות**

רתע הוא תגובה פתאומית עקב היתקעות או חסימה של כלי מסתובב, כגון דיסק השחזה, דיסק ליטוש, מברשת ברזל וכן הלאה. היתקעות או חסימה מובילים לעצירה פתאומית של הכלי המסתובב. עקב כך יאיץ כלי העבודה החשמלי, אם אינו נמצא בשליטה, לכיוון המנוגד של הכלי שנחסם.

כאשר לדוגמה דיסק השחזה נתקע או נחסם בחומר שבעבודה, הקצה של הדיסק שנכנס לחומר עשוי להילכד שם וכך לגרום לפריצת הדיסק או לרתע. הדיסק ינוע כעת לכיוון המפעיל או הרחק ממנו – בהתאם לכיוון הסיבוב של הדיסק במקום החסימה. הדיסק עלול גם להישר במצב זה.

רתע נוצר כתוצאה משימוש שגוי בכלי העבודה החשמלי. ניתן למנוע אותו בעזרת אמצעי הזהירות המוסברים להלן.



- ▶ החזק את כלי העבודה החשמלי בשתי ידיים והבא גופך חרוטותית לתנוחה שבה יוכלו לספוג את כוחות הרתע. השתמש תמיד בידי האחיזה הנוספת, אם קיימת, כדי שתהיה לך שליטה גדולה ככל האפשר על כוחות הרתע או מומנטי התגובה בעת האצת המכשיר. המשתמש יכול לשלוט בכוחות הרתע והתגובה אם יקנוט אמצעי זהירות מתאימים.
- ▶ לעולם אל תקרב את ידך אל כלי מסתובב. הכלי עלול לנוע מעל היד שלך במקרה של רתע.
- ▶ דאג שגופך לא יימצא בתחום שלכיוונו כלי העבודה החשמלי ינוע במקרה של רתע. הרתע מושך את כלי העבודה החשמלי לכיוון המנובד לכיוון התנועה של הדיסק במקום החסימה.
- ▶ היה זהיר במיוחד בעבודה בפניות, על קצוות חדים וכן הלאה. מנע מצב שבו הכלי נהדף מהחומר בעבודה או נתקע בו. בפניות, בקצוות חדים או כאשר הכלי נהדף הוא נוטה להיתקע. זה גורם לאבדן שליטה או לרתע.
- ▶ אל תשתמש בשרשראות או בדיסק ניסור משונן וכן בדיסק יהלום מחורץ בעל חריצים ברוחב גדול מ-10 מ"מ. כלים כאלה גורמים לעתים קרובות לרתע או לאבדן השליטה בכלי העבודה החשמלי.

הנחיות בטיחות מיוחדות להשחזה וחיתוך:

- ▶ השתמש אך ורק בכלי השחזה שאושרו לעבודה עם כלי העבודה החשמלי שלך וכן במגן דיסק המתאים לכלי ההשחזה. המגן אינו יכול להגן היטב מפני כלי השחזה שאינם מיועדים לכלי העבודה החשמלי שלך, ולפיכך הם אינם בטוחים.
- ▶ דיסקי השחזה קמורים צריכים להיות מותקנים באופן כזה שהשטח המשחיד שלהם לא יימצא מעל לגובה קצה מגן הדיסק. דיסק השחזה שהותקן בצורה לא נכונה ובולט מעבר לגובה קצה מגן הדיסק לא יהיה מוגן די הצורך.
- ▶ המגן צריך להיות מחובר בצורה בטוחה לכלי העבודה החשמלי, וכדי להבטיח רמת בטיחות מרבית עליו להיות מכוון באופן שיתיר שטח כלי גלוי כמה שיותר קטן בכיוון המשתמש. מגן הדיסק עזר להגן על המשתמש מפני שברים, מגע בשוגג בכלי ההשחזה וכן מפני ניצוצות שעלולים להצית את הבגדים.
- ▶ מותר להשתמש בגופי הליטוש וההשחזה רק לשימושים שלשמן הם אושרו. לדוגמה: לעולם אין להשחיד באמצעות פני השטח הצדדים של דיסק חיתוך. דיסקי חיתוך מיועדים להסרת חומר בעזרת קצה הדיסק. הפעלת כוח צדי עלולה לשבור את כלי ההשחזה.
- ▶ השתמש תמיד באוגן הידוק שאינו פגום, בגודל המתאים ובצורה המתאימה לדיסק ההשחזה שבחרת. אוגנים מתאימים תומכים בדיסק ההשחזה ומפחיתים את הסכנה לשבירת הדיסק. אוגנים לדיסקי חיתוך עשויים להיות שונים מאוגנים של דיסקים אחרים.
- ▶ אין להשתמש בדיסקי השחזה שחוקים של כלי עבודה חשמליים גדולים יותר. דיסקים של כלי עבודה חשמליים גדולים יותר אינם מיועדים למהירות סיבוב גבוהות של כלי עבודה חשמליים קטנים יותר ועלולים להישבר.
- ▶ השתמש תמיד במגן הדיסק המתאים לעבודה הספציפית כאשר אתה משתמש בגופי ליטוש והשחזה דו-צדדיים. שימוש במגן דיסק שגוי לא יספק הגנה מספקיה, מה שעלול להוביל לפציעות קשות.

הנחיות בטיחות נוספות מיוחדות לחיתוך:

- ▶ מנע חסימה של דיסק החיתוך ואל תפעיל כוח לחיצה רב. אל תבצע חתכים עמוקים מדי. עומס יתר על דיסק החיתוך מגביר את הסיכוי להיתקעות או לחסימה ובכך את הסיכון לרתע או לשבירת כלי ההשחזה.
- ▶ אל תתקרב לאזור שלפני ומאחורי הדיסק המסתובב. במקרה של רתע כאשר דיסק החיתוך מסתובב בחלק שבעבודה, כלי העבודה החשמלי עלול להיזרק במהירות לכיוונו ביחד עם הדיסק.
- ▶ אם דיסק החיתוך נתקע או אם אתה מפסיק לעבוד, כבה את המכשיר והחזק אותו יציב עד שהדיסק נעצר לגמרי. לעולם אל תנסה למשוך את דיסק החיתוך מהחריץ בזמן שהוא עדיין מסתובב, אחרת עלול להתרחש רתע. ברר מה היא הסיבה להיתקעות וטפל בה.
- ▶ אל תפעיל מחדש את כלי העבודה החשמלי כל עוד הוא נמצא בתוך החלק שבעבודה. אפשר לדיסק החיתוך להגיע למהירות הסיבוב המרבית לפני שתמשיך בהירות בחיתוך. אחר עלול הדיסק להיתקע, להיזרק אל מחוץ לחלק או לגרום לרתע.
- ▶ לחות או חלקים גדול יש לתמוך כדי להפחית את הסיכון לרתע עקב היתקעות דיסק החיתוך. חלקים גדולים עשויים להתחופף תחת משקלם. יש לתמוך את החלק משני הצדדים של הדיסק, גם בקרבת מקום החיתוך וגם בקצה החלק.
- ▶ היה זהיר במיוחד בחיתוך "כיסים" בקירות קיימים או בחלקים דומים. כאשר הדיסק חודר ופוגע בצנרת גז, מים או חשמל או בעצמים אחרים הוא עלול לגרום לרתע.
- ▶ אל תנסה לחתוך חיתוך מעוגלים עומס יתר על דיסק החיתוך מגביר את הסיכוי להיתקעות או לחסימה ובכך את הסיכון לרתע או לשבירת כלי ההשחזה, מה שעלול להוביל לפציעות קשות.

הנחיות בטיחות מיוחדות לליטוש באמצעות בייר ליטוש:

- ▶ השתמש רק בכיירות לטש בגודל מתאים. ציית להוראות היצרן בנוגע לגודל כיירות הלשט. כיירות לטש הבולטים מדי מעבר לדיסק עלולים לגרום לפציעות וכן לחסימה ולקריעה של בייר הלשט וכן לרתע.
- ▶ הנחיות בטיחות מיוחדות לעבודה עם מברשות ברזל:
- ▶ שיים לב כי מברשות הברזל מאבדות סיבי גל במהלך שימוש רגיל. אין להפעיל עומס מופרז על סיבי התיל. סיבי תיל מתעופפים יכולים לחדור בקלות את הבגדים ולתוך העור.
- ▶ כאשר יש חובה להקפין מגן דיסק, יש למנוע מגע בין מגן הדיסק לסיבי התיל של המברשת. הקוטר של דיסקים שטוחים וקמורים עשוי לגדול בעקבות הפעלת לחץ והכוח הצנטריפוגלי.

2.3 הוראות בטיחות נוספות

בטיחות של אנשים

- ▶ השתמש במוצר ובאביזרים רק בתנאי שהם נמצאים במצב טכני מושלם.
- ▶ אל תבצע בשום אופן שינויים או מניפולציות במוצר או באביזרים.



- ◀ אין לגעת בחלקים מסתובבים – סכנת פציעה!
- ◀ לבש נעלי בטיחות בעת החלפת כלי. מגע בכלי עלול לגרום לפציעות ולכוויות.
- ◀ אבק שנוצר במהלך ליטוש, השחזה, חיתוך או קידוח עלול להכיל כימיקלים מסוכנים. להלן כמה דוגמאות: עופרת או צבעים על בסיס עופרת; לבנים, בטון וחומרי קיר אחרים, אבן טבעית ומוצרים אחרים המכילים סיליקט; עצים מסוימים, כגון אלון, בוק ועץ שעבר טיפול כימי; אסבסט או חומרים המכילים אסבסט. יש למדוד את השיפת המשתמש והאנשים בסביבה על פי דירוג הסכנה של החומרים שבהם עובדים. נקט את האמצעים הדרושים כדי לשמור את החשיפה ברמה בטוחה, לדוגמה שימוש במערכות שאיבת אבק או לבישת מסיכת נשימה מתאימה. להלן רשימה של אמצעים כלליים להפחתת החשיפה:
- ◀ עבודה באזור מאוורר היטב.
- ◀ הימנעות ממגע ממושך עם האבק.
- ◀ סילוק האבק מהפנים והגוף.
- ◀ לבישת ביגוד מגן ושטיפת אזורים חשופים במים וסבון.
- ◀ ערוך הפסקות תכופות ותרגילים לשיפור זרימת הדם לאצבעות. בעבודה ממושכת הרעידות החזקות מהמכשיר עשויות לגרום להפרעות בכלי הדם או במערכת העצבים של האצבעות, כפות הידיים או שורשי כף היד.

בטיחות בחשמל

- ◀ לפני תחילת העבודה בדוק אם ישנם כבלי חשמל, צינורות גז או מים נסתרים. חלקים מתכתיים חיצוניים על המכשיר עלולים לגרום התחשמלות או פיצוץ כאשר פוגעים בכבל חשמל, בצינור גז או מים.

טיפול ושימוש קפדניים בכלי עבודה חשמליים

- ◀ אין להשתמש בדיסקי חיתוך לצורך השחזה.
- ◀ הדק את הכלי ואת האוגן. אם הכלי והאוגן לא הודקו כראוי, ייתכן כי לאחר כיבוי המכשיר יתנתק הכלי מהציר עקב בלימת המנוע.
- ◀ הדק את החלק שבעבודה. השתמש בהתקני הידוק או במלחציים כדי לייצב את החלק שבעבודה. כך החלק מיוצב טוב הרבה יותר מאשר כשאתה מחזיק אותו בידך, ובנוסף לכך שתי ידיך נותרות פנויות לתפעול המוצר.
- ◀ יש לשמור דיסקי השחזה ולטפל בהם בהקפדה בהתאם להנחיות היצרן.

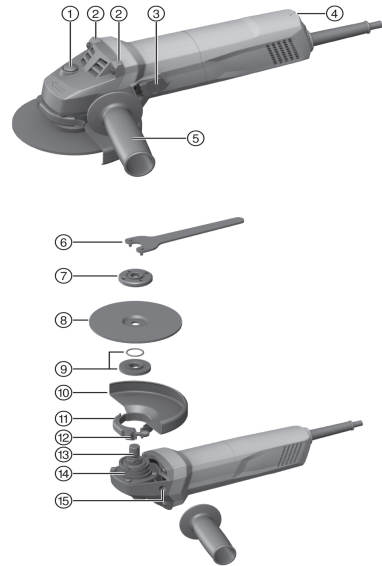
הוראות נוספות לשימוש במגן דיסק

- ◀ כדי למנוע את הנדקים הבאים, יש להשתמש תמיד במגן הדיסק המתאים, ראה פרק: "התאמת הדיסקים לציוד שבשימוש".
- ◀ כאשר משתמשים במגן דיסק סטנדרטי עם כיסוי קדמי להשחזה שטוחה, מגן הדיסק עלול לגעת בחלק המעובד וכך לגרום לאובדן שליטה.
- ◀ כאשר משתמשים במברשת ברזל עבה יותר מהעובי המרבי המותר, חוטי הברזל עלולים להילכד במגן הדיסק ולהישרב.
- ◀ כאשר משתמשים במגן דיסק סטנדרטי לעבודות חיתוך של מתכת עם דיסקי חיתוך-השחזה, קיים סיכון מוגבר להיווצרות ניצוצות וחלקיקים, ואם הדיסק נשבר עלולים להתעופף בחלל שברי דיסק.
- ◀ כאשר משתמשים במגן דיסק סטנדרטי עם או ללא כיסוי קדמי בעבודות חיתוך והשחזה של בטון או קירות, נוצר עומס אבק גבוה וסיכון מוגבל לאובדן השליטה במוצר, מה שיוביל לרתע.



3.1 סקירת המוצר 1

- ① לחצן בעילת ציר
- ② פס להנחה
- ③ מתג הפעלה/כיבוי
- ④ גלגל לבחירת מהירות סיבוב
- ⑤ ידית אחיזה צדית
- ⑥ מפתח
- ⑦ אום הידוק
- ⑧ דיסק חיתוך / דיסק השחזה
- ⑨ אוגן נגדי עם טבעת O
- ⑩ מגן דיסק
- ⑪ ידית הידוק
- ⑫ בורג כוונון
- ⑬ ציר
- ⑭ פס קידוד
- ⑮ תבריג פנימי עבור ידית אחיזה


3.2 שימוש בהתאם לייעוד

המוצר המתואר זו משחזת זווית חשמלית ידנית. היא מיועדת לעבודות חיתוך והשחזה של חומרים מתכתיים ומינרליים כמו גם לליטוש - ללא שימוש במים.

ומותר לחבר את המכשיר רק לרשת חשמל בעלת מתח ותדירות כמצוין על לוחית הדגם.

- כאשר משתמשים במשחזת הזווית לחיתוך, חירוף והשחזה של חומרים מינרליים חובה להשתמש במגן דיסק מתאים עם כיסוי קדמי.
- כאשר עובדים בחומרים מינרליים כגון בטון או אבן מומלץ להשתמש במגן שאיבה המותאם לשואב אבק של Hilti.

3.3 מפרט אספקה

משחזת זווית, ידית אחיזה צדית, מגן דיסק סטנדרטי, כיסוי קדמי, אוגן נגדי, אום הידוק, מפתח, הוראות הפעלה. מוצרים נוספים המאושרים עבור המוצר שלך תמצא ב-Hilti Store או באינטרנט בכתובת: www.hilti.group | ארה"ב: www.hilti.com

3.4 כוונון מראש של מהירות הסיבוב

משחזת זווית זו כוללת 6 דרגות מהירות סיבוב קבועות מראש לבחירה:

- AG 125 7SE: 6000 - 11500 סל"ד
- AG 125 8SE: 3500 - 11500 סל"ד

3.5 חסימת הפעלה מחדש

אם החשמל למכשיר מתנתק בזמן שמתג ההפעלה/כיבוי נעול, המכשיר לא יתחיל לפעול מחדש באופן עצמאי לאחר חידוש אספקת החשמל. ראשית יש לשחרר את מתג ההפעלה/כיבוי ואז ללחוץ עליו מחדש.

3.6 כיסוי קדמי עבור מגן הדיסק 2

ליישומים תחתונים יש להשתמש בכיסוי הקדמי עם מגן הדיסק הרגיל.

- עבודות השחזה עם דיסקי השחזה ישרים
- עבודות חיתוך עם דיסקי חיתוך



3.7 מגן שאיבת אבק (השחזה) DG-EX 115/4,5" (אביזר) 3

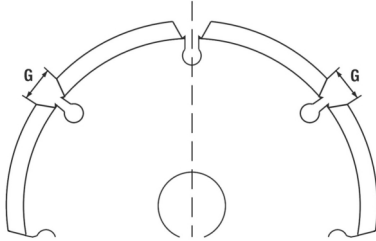
מערכת ההשחזה מיועדת לליטוש מזדמן של חומרים מינרליים באמצעות דיסקי יהלום קעורים. **זהירות** אסור לעבד מתכת עם מגן דיסק זה.

3.8 מגן שאיבת אבק (חיתוך) DC-EX 125/5"C (אביזר) 4

עבודות חיתוך בקירות ובבטון יש להשתמש במגן שאיבת האבק (חיתוך) DC-EX 125/5"C. **זהירות** אסור לעבד מתכת עם מגן דיסק זה.

3.9 גאומטריה של דיסקי חירוץ יהלום מתאימים

דיסקי חירוץ יהלום צריכים לעמוד בדרישות הגאומטריות הבאות.



נתונים טכניים	
רוחב חריצים בין הסגמנטים (ז)	≥ 10 מ"מ
זווית חיתוך	שלילית

4 חומרים מתכלים

מותר להשתמש רק בדיסקי פיבר מחזקים עם חומר מקשר שרף סינתטי $\varnothing 125$ מ"מ, שאושרו לעבודות במהירות סיבוב של לפחות 11500 סל"ד ובמהירות היקף של 80 מ/שני.

שים לב! בעבודות חיתוך וחירוץ עם דיסקי חיתוך יש להשתמש תמיד גם במגן הדיסק הסטנדרטי עם כיסוי קדמי.

דיסקים

קוטר מקס'	עובי מקס'	חומר לעיבוד	קוד	שימוש	
125 מ"מ	2.5 מ"מ	מתכתי	AC-D	חיתוך, חירוץ	דיסק השחזה-חיתוך
125 מ"מ	3 מ"מ	מינרלי	DC-D, DC-TP (P, SP, SPX)	חיתוך, חירוץ	דיסק חיתוך יהלום
125 מ"מ	6.4 מ"מ	מתכתי	,AF-D, AG-D AN-D	השחזה	דיסק השחזה לליטוש
125 מ"מ	-	מינרלי	,SPX) DG-CW (P, SP	השחזה	דיסק השחזה יהלום
75 מ"מ 125 מ"מ	- 27 מ"מ	מתכתי	,3SS, 4CS, 3CS 4SS	מברשות פלדה	מברשת פלדה
125 מ"מ	-	מתכתי	AP-D	השחזה	דיסק פיבר

התאמת הדיסקים לסוג העבודה

פריט	ציוד	AC-D	,AG-D ,AF-D AN-D	DG-CW ,SP, SPX) (P	,DC-TP DC-D ,SP, SPX) (P	AP-D	4CS, 3CS 4SS, 3SS
א	מגן דיסק	X	X	X	X	X	X
ב	כיסוי קדמי (בשילוב עם א)	X	—	—	X	—	—
ג	מגן שאיבת אבק (השחזה) DG-EX 115/4.5" (לא עבור DG-CW 115)	—	—	X	—	—	—
ד	מגן שאיבת אבק (חיתוך) DC-EX 125/5"C (בשילוב עם א')	—	—	—	X	—	—
ה	ידיית אחיזה צדית	X	X	X	X	X	X
ו	אום הידוק	X	X	X	X	—	—
ז	אוגן נגדי	X	X	X	X	—	—



פריט	ציוד	AC-D	AG-D ,AF-D AN-D	DG-CW ,SP,SPX) (P	DC-TP DC-D ,SP,SPX) (P	AP-D	4CS,3CS 4SS,3SS
ח	אום הידוק עבור דיסק פיבר	—	—	—	—	X	—
ט	צלחת	—	—	—	—	X	—

5 נתונים טכניים

5.1 משחזת זווית

את המתח הנקוב, הזרם הנקוב, התדירות וההספק הנקוב תמצא בלוחית הדגם הספציפית למדינתך.



בעת הפעלה באמצעות גנרטור או שאני הספק המוצא שלהם חייב להיות לפחות כפול מההספק הנקוב המצוין על לוחית הדגם של המכשיר. מתח העבודה של השנאי או הגנרטור חייב להימצא תמיד בטווח שבין +5% לבין -15% ביחס למתח הנקוב של המכשיר.

AG 125-8SE	AG 125-7SE	
800 ואט	710 ואט	הספק נקוב
11,500 סל"ד	11,500 סל"ד	סל"ד נקוב
125 מ"מ	125 מ"מ	קוטר דיסק מרבי
M14	M14	תבריג ציר הנעה
22 מ"מ	22 מ"מ	אורך ציר
2.0 ק"ג	2.0 ק"ג	משקל בהתאם לתהליך EPTA 01

5.2 ערכי רעש לפי EN 62841

ערכי לחץ הקול והרעידות המצוינים בהוראות אלה נמדדו בהתאם לנוהל המדידה התקני, וניתן להשתמש בהם לצורך השוואה בין כלי עבודה חשמליים. הם מתאימים גם להערכה זמנית של העומסים.

הנתונים המצוינים תקפים לשימושים העיקריים בכלי העבודה החשמלי. אולם אם משתמשים בכלי העבודה החשמלי לשימושים אחרים, שילוב אביזרים אחרים או אם המכשיר אינו עובר תחזוקה מספקת, הנתונים עשויים להשתנות. בעקבות זאת פריסת העומסים למשך זמן העבודה כולו עשויה להיות גבוהה באופן משמעותי.

לצורך הערכה מדויקת של העומסים יש לקחת בחשבון גם את הזמנים שבהם כלי העבודה כבוי או שבהם הוא אמנם פועל אך אינו בשימוש בפועל. בעקבות זאת פריסת העומסים למשך זמן העבודה כולו עשויה להיות נמוכה באופן משמעותי.

יש לקבוע הנחיות בטיחות נוספות להגנה על המשתמש מפני ההשפעות של קול ו/או רעידות, כגון: תחזוקה של כלי העבודה החשמלי ושל כלי העבודה המחבורים, שמירה על ידיים חמות, ארגון תהליכי העבודה.

השחזת פנים דקים או חומרים אחרים עם פני שטח גדולים ושורעדים בקלות עלול להוביל לרמת רעש גבוהה הרבה יותר מערכי הרעש המצוינים. יש למנוע היווצרות רעש בחומרים כאלה באמצעים שונים, לדוגמה בעזרת לוחות בידוד כבדים וגמישים. כאשר מבצעים הערכת סיכונים של חשיפה לרעש, יש לקחת בחשבון תמיד גם את הערכים המוגדלים האלה.

ערכי רעש

AG 125-8SE	AG 125-7SE	
96 dB(A)	96 dB(A)	רמת הספק קול (L_{WA})
3 dB(A)	3 dB(A)	אי-ודאות ברמת הספק הקול (K_{WA})
88 dB(A)	88 dB(A)	רמת לחץ קול (L_{pA})
3 dB(A)	3 dB(A)	אי-ודאות רמת לחץ קול (K_{pA})

ערכי רעידות כוללים

AG 125-8SE	AG 125-7SE	
4.8 מ' /שני ²	4.8 מ' /שני ²	השחזת פני שטח עם ידית מפחיתת רעידות ($a_{h,AG}$)
3.6 מ' /שני ²	3.6 מ' /שני ²	ליטוש באמצעות בייר ליטוש ($a_{h,DS}$)
1.5 מ' /שני ²	1.5 מ' /שני ²	אי ודאות (K)



6.1 הכנה לעבודה

זהירות 

סכנת פציעה! תחילת תנוע לא מכוונת של המוצר.
 נתק את תקע החשמל לפני שאתה מבצע כווננים במכשיר או מחליף אביזרים.

ציית להוראות הבטיחות והאזהרות שבתייעוד זה ולא להל המצוינות על המוצר.


6.2 התקנת ידית האחיזה הצדית

חבר את ידית האחיזה הצדית לאחד מהתברגים המיועדים לכך.


6.3 מגן דיסק

שים לב להוראות ההתקנה של מגן הדיסק.

6.3.1 התקנת מגן הדיסק

 הקידוד על מגן הדיסק מוודא שניתן יהיה להתקיין רק מגן דיסק המתאים למכשיר. מלבד זאת מונע פס הקידוד נפילה של מגן הדיסק על הכלי.

1. פתח את ידית ההידוק.
2. חבר את מגן הדיסק עם פס הקידוד אל חריץ הקידוד בצוואר המשחזת.
3. סובב את מגן הדיסק למיקום הדרוש.
4. סגור את ידית ההידוק כדי לקבע את מגן הדיסק.

 מגן הדיסק כבר מכוון לקוטר המתאים בעזרת בורג הכוונון. אם המתח חלש מדי כאשר מגן הדיסק מחובר, ניתן להק מעט את בורג הכוונון כדי לחזק את כוח המתיחה.

6.3.2 כוונון מגן הדיסק

1. פתח את ידית ההידוק.
2. סובב את מגן הדיסק למיקום הדרוש.
3. סגור את ידית ההידוק כדי לקבע את מגן הדיסק.

6.3.3 הסרת מגן הדיסק

1. פתח את ידית ההידוק.
2. סובב את מגן הדיסק עד שפס הקידוד תואם את חריץ הקידוד ודא הסר אותו.


6.4 התקנה או הסרה של הכיסוי הקדמי

1. חבר את המגן הקדמי על מגן הדיסק הסטנדרטי עד שהוא ננעל.
2. כדי להסיר אותו יש לפתוח את הבעילה של המגן הקדמי ולהסיר אותו ממגן הדיסק הסטנדרטי.

6.5 התקנה או הסרה של דיסקים

זהירות 

סכנת פציעה. הכלי עלול להיות חם מאוד.
 לבש כפפות מגן בעת החלפת כלי.

 יש להחליף דיסקי יהלום ברגע שהספק החיתוך/הליטוש פוחת באופן ניכר. בדרך כלל זה מתרחש כאשר גובה סגמנטי היהלום נמוך מ-2 מ"מ ("1/16").

סוגי דיסק אחרים יש להחליף ברגע שהספק החיתוך פוחת באופן ניכר או אם במהלך העבודה נוצר מגע בין חלקים של משחזת הזווית (מלבד הדיסק) לבין החומר שבעבודה.
 דיסקי השחזה יש להחליף כשמגיע תאריך התפוגה שלהם.

6.5.1 התקנת דיסק השחזה

1. נתק את תקע החשמל משקע רשת החשמל.



2. ודא שטבעת ה-O נמצאת באוגן הנגדי ושהיא תקינה לגמרי.

תוצאה

טבעת O אינה תקינה.

אין טבעת O באוגן הנגדי.

◀ חבר אוגן נגדי חדש עם טבעת O.

3. חבר את האוגן הנגדי לציר המכשיר.

4. הרכב את דיסק ההשחזה.

5. הברג את אום ההידוק בהתאם לכלי שבשימוש.

6. לחץ על לחצן נעילת הציר והחזק אותו לחוץ.

7. הדק את אום ההידוק בעזרת המפתח ולאחר מכן שחרר את לחצן נעילת הציר והסר את המפתח.

6.5.2 הסרת דיסק השחזה

1. נתק את תקע החשמל משקע רשת החשמל.

⚠ אזהרה

סכנת שבירה והרס. לחיצה על לחצן נעילת הציר בזמן שהציר מסתובב עלולה לגרום לשחרור הכלי המחובר.

◀ לחץ על לחצן נעילת הציר רק כאשר הציר אינו מסתובב.

2. לחץ על לחצן נעילת הציר והחזק אותו לחוץ.

3. חבר את מפתח האומים וסובב אותו נגד כיוון השעון כדי לשחרר את אום ההידוק המהיר.

4. שחרר את לחצן נעילת הציר והוצא את דיסק ההשחזה.

6.6 התקנת מברשת פלדה

1. נתק את תקע החשמל משקע רשת החשמל.

2. חבר את ידית האחיזה הצדית. 24

3. התקן את מגן הדיסק. 24

4. חבר את מברשת הפלדה והברג אותה ידנית.

5. לחץ על לחצן נעילת הציר והחזק אותו לחוץ.

6. הדק את מברשת הפלדה באמצעות מפתח ברגים מתאים.

7. לאחר מכן שחרר את לחצן נעילת הציר והסר את מפתח הברגים.

6.7 התקנת דיסק פיבר

1. נתק את תקע החשמל משקע רשת החשמל.

2. חבר את ידית האחיזה הצדית. 24

3. התקן את מגן הדיסק. 24

4. חבר את הצלחת ואת דיסק הפיבר והברג והדק את אום ההידוק.

5. לחץ על לחצן נעילת הציר והחזק אותו לחוץ.

6. הדק את אום ההידוק בעזרת המפתח ולאחר מכן שחרר את לחצן נעילת הציר והסר את המפתח.

6.8 תפעול

⚠ אזהרה

סכנה עקב כבל פגום! אם כבל החשמל או הכבל המאריך ניזוקו במהלך העבודה, נתק את מיד את המכשיר עם הכבל מרשת החשמל. אל תיגע במקום הפגום!

◀ בדוק באופן סדיר את כל הכבלים. החלף כבל מאריך לא תקין. אם כבל החשמל פגום, פנה לחשמלאי מוסמך לצורך החלפתו.

ככלל מומלץ להשתמש במפסק הגנה (RCD) בעל זרם התרה של 30 mA.

6.9 הפעלה

1. חבר את תקע החשמל לשקע רשת החשמל.

2. לחץ על החלק האחורי של מתג ההפעלה/כיבוי.

3. דחף את מתג ההפעלה/כיבוי קדימה.

4. נעל את מתג ההפעלה/כיבוי.

◀ המנוע פועל.



6.10 חיתוך

בעת החיתוך הפעל כוח דחיפה מתון ועבוד בצורה ישירה עם כלי העבודה (זווית עבודה כ-90° לפני השטח של החומר שאתה חותך).

הדרך הטובה ביותר לחתוך פרופילים וצינורות מרובעים קטנים היא לעבוד במקום בעל הקוטר הקטן ביותר.



6.11 השחזה

⚠ אזהרה

סכנת פציעה. דיסק החיתוך עלול להתפוצץ, כך שחלקים ממנו יתעופפו ויגרמו לפציעות. לעולם אין להשתמש בדיסקי חיתוך לצורך עבודות השחזה.

- ◀ הזז את המכשיר מצד לצד בזווית גישה של 5° עד 30° תוך הפעלת לחץ מתון.
- ◀ החלק שבעבודה לא יתחמם מדי, לא ישנה את צבעו ולא ייווצרו חריצים.

6.12 כיבוי

- ◀ לחץ על החלק האחורי של מתג ההפעלה/כיבוי.
- ◀ מתג ההפעלה/כיבוי קופץ למיקום כיבוי והמנוע כבה.

7 טיפול ותחזוקה

7.1 טיפול ותחזוקה

⚠ אזהרה

סכנת התחשמלות! עבודות טיפול ותחזוקה כאשר תקע החשמל מחובר לשקע עלולות להוביל לפציעות ולכוויות קשות. לפני ביצוע עבודות טיפול או תחזוקה כלשהן יש להקפיד ולנתק את תקע החשמל!

טיפול

- הסר בזהירות לכלוך דבוק.
- אם ישנם, נקה את חריצי האוורור בזהירות בעזרת מברשת רכה ויבשה.
- נקה את גוף המכשיר רק באמצעות מטלית לכה. אל תשתמש בחומרי טיפול המכילים סיליקון, מאחר שהם עלולים לפגוע בחלקי הפלסטיק.

תחזוקה

⚠ אזהרה

סכנת התחשמלות! תיקון לא מקצועי של רכיבים חשמליים עלול לגרום לפציעות קשות ולכוויות. רק חשמלאים מורשים רשאים לבצע תיקונים ברכיבים חשמליים.

- בדוק באופן סדיר את כל החלקים הגלויים כדי לאתר נזקים ולוודא שכל הרכיבים פועלים באופן תקין.
- אל תפעיל את המוצר אם ישנם נזקים ו/או תקלות. פנה מיד לשירות של Hilti כדי לתקן את המוצר.
- לאחר עבודות טיפול ותחזוקה יש להתקין בחזרה את כל ציוד ההגנה ולבדוק שהוא פועל בצורה תקינה.

לצורך הפעלה בטוחה של המכשיר יש להשתמש בחלקי חילוף, חומרים מתכלים ואביזרים מקוריים בלבד. את חלקי החילוף, החומרים המתכלים והאביזרים שאושרו על-ידי Hilti עבור המוצר שלך תמצא ב-Hilti Store שלך או בכתובת: www.hilti.group



7.2 החלפת כבל חשמל

7.2.1 פירוק כבל החשמל 11

1. נתק את תקע החשמל משקע רשת החשמל.
2. שחרר את הבורג בחלק האחורי של גוף המכשיר והסר את החלק.
3. שחרר את שני הברגים של מהדק הכבל.
4. שחרר את שני הברגים ומשוך החוצה את כבל החשמל.

7.2.2 התקנת כבל החשמל 12

1. השחל את כבל החשמל דרך החלק האחורי של גוף המכשיר.
2. הכנס את כבל החשמל דרך השרוול.
3. הסר 5 מ"מ בידוד בקצה גדי הכבל.



4. דחף את גידי הכבל דרך מהדק הכבל.
5. הכנס את גידי הכבל מתחת לשני הברגים והדק את הברגים (מומנט הידוק: 0.5–0.8 נ"מ).
6. מקם את כבל החשמל כך שהשרוול ימוקם ללא רווח.
7. ודא כי מעטפת הכבל בולטת 5 מ"מ ממהדק הכבל, והדק את הברגים של מהדק הכבל (מומנט הידוק: 1.35–1.75 נ"מ).
8. סגור את הגוף והדק את הבורג בחלק האחורי של גוף המכשיר (מומנט הידוק: 1.35–1.75 נ"מ).

7.3 החלפת מתג ההפעלה/כיבוי 13

1. נתק את תקע החשמל משקע רשת החשמל.
2. שחרר את הבורג בחלק האחורי של גוף המכשיר והסר את החלק.
3. שחרר את שני הברגים ונתק את שני הגיידים של התקע.
4. סמן את המיקום של נעלי הכבל במתג ההפעלה/כיבוי.
5. נתק את ארבעת הכבלים ממתג ההפעלה/כיבוי.
6. פרק את מתג ההפעלה/כיבוי על ידי הרמת הלשונית האחרת.
7. חבר מתג הפעלה/כיבוי חדש.
8. חבר את ארבעת הכבלים למתג ההפעלה/כיבוי בהתאם לסימון.
9. הכנס את גידי הכבל מתחת לשני הברגים והדק את הברגים (מומנט הידוק: 0.5–0.8 נ"מ).
10. סגור את הגוף והדק את הבורג בחלק האחורי של גוף המכשיר (מומנט הידוק: 1.35–1.75 נ"מ).

7.4 החלפת מברשות פחם 14

1. נתק את תקע החשמל משקע רשת החשמל.
2. שחרר את הבורג בחלק האחורי של גוף המכשיר והסר את החלק.
3. באמצעות פלייר דחף את הלוחית הקפיצית הצדה.
4. הוצא את מברשת הפחם ידנית או באמצעות כלי עבודה כלשהו.
5. נתק את התקע של מברשת הפחם.
6. חבר את התקע של מברשת הפחם החדשה.
7. הכנס את מברשת הפחם החדשה לכלוב.
8. הנח את הלוחית הקפיצית על מברשת הפחם והדק אותה.
9. החלף את מברשות הפחם האחרות באותו האופן.
10. סגור את הגוף והדק את הבורג בחלק האחורי של גוף המכשיר (מומנט הידוק: 1.35–1.75 נ"מ).

7.5 בדיקות לאחר עבודות טיפול ותחזוקה

- ◀ לאחר עבודות טיפול ותחזוקה יש לבדוק שכל התקני ההגנה מותקנים ופועלים ללא תקלות.

8 הובלה ואחסון


- אין להוביל את המכשיר החשמלי כאשר מחובר אליו כלי.
- יש להקפיד לנתק את תקע החשמל לפני אחסון המכשיר.
- יש לשמור את המכשיר במקום יבש הרחק מהישג ידם של ילדים ואנשים לא מורשים.
- לאחר הובלה או אחסון ממושך יש לבדוק את המכשיר החשמלי לפני שמשתמשים בו שוב, כדי לאתר נדקים.

9 תיקון תקלות

אם מתרחשת תקלה שאינה מוסברת בטבלה זו או שאינך יכול לתקן בעצמך, פנה לשירות של Hilti.

תקלה	סיבה אפשרית	פתרון
המכשיר אינו מתחיל לפעול.	אספקת החשמל נותקה.	◀ חבר מכשיר חשמלי אחר ובדוק אם הוא פועל.
	כבל החשמל או תקע החשמל אינם תקינים.	◀ פרק את כבל החשמל. 26
	הפחמים נשחקו.	◀ התקן את כבל החשמל. 26
	עומס יתר של המכשיר.	◀ החלף את מברשות הפחם. 27
המכשיר אינו פועל.		◀ שחרר את מתג ההפעלה/כיבוי ולחץ עליו מחדש. כעת אפשר למכשיר לפעול כ-30 שניות בסל"ד סרק.
המכשיר אינו פועל בעוצמה מלאה.	קוטר הכבל המאריך קטן מדי.	◀ השתמש בכבל מאריך עבה מספיק.



 המוצרים של Hilti מיוצרים בחלקם הגדול מחומרים ניתנים למיחזור. כדי שניתן יהיה למחזרם דרושה הפרדת חומרים מקצועית. במדינות רבות Hilti תקבל את המכשיר הישן שלך בחזרה לצורך מיחזור. פנה לשירות של Hilti או למשווק.

✕ אין להשליך כלי עבודה חשמליים, כלים אלקטרוניים וסוללות לפסולת הביתית!

אם יש לך שאלות בנושא תנאי האחריות, אנא פנה למשווק Hilti הקרוב אליך. ◀



EC Declaration of Conformity | UK Declaration of Conformity



Manufacturer:
Hilti Corporation
Feldkircherstraße 100
9494 Schaan | Liechtenstein

UK Importer:
Hilti (Gt. Britain) Limited
No. 1 Circle Square, 3 Symphony Park
Manchester, England, M1 7FS

AG 125-7SE (05) | AG 125-8SE (05)

Serial Numbers: 1-9999999999

2006/42/EC | Supply of Machinery (Safety)
Regulations 2008

EN 62841-1:2015,
AC:2015, A11:2022

EN IEC 62841-2-3:2021/A11:2021

2014/30/EU | Electromagnetic Compatibility
Regulations 2016

EN IEC 55014-1:2021

EN IEC 55014-2:2021

2011/65/EU | The Restriction of the Use of
Certain Hazardous Substances in Electrical and
Electronic Equipment Regulations 2012

EN IEC 61000-3-2:2019,
A1:2021

EN 61000-3-3:2013, A1:2019,
A2:2021, A2:2021/AC:2022

A handwritten signature in black ink, appearing to read "Tahar Zrilli".

Dr. Tahar Zrilli
Head of Quality and Process Management
Business Area Electric Tools & Accessories

Schaan, 30.04.2024

A handwritten signature in black ink, appearing to read "Edward-Louis Przybylowicz".

Edward-Louis Przybylowicz
Head of BU Power Tool & Accessories
Business Area Electric Tools & Accessories



Hilti Corporation
LI-9494 Schaan
Tel.:+423 234 21 11
Fax:+423 234 29 65
www.hilti.group



2177169