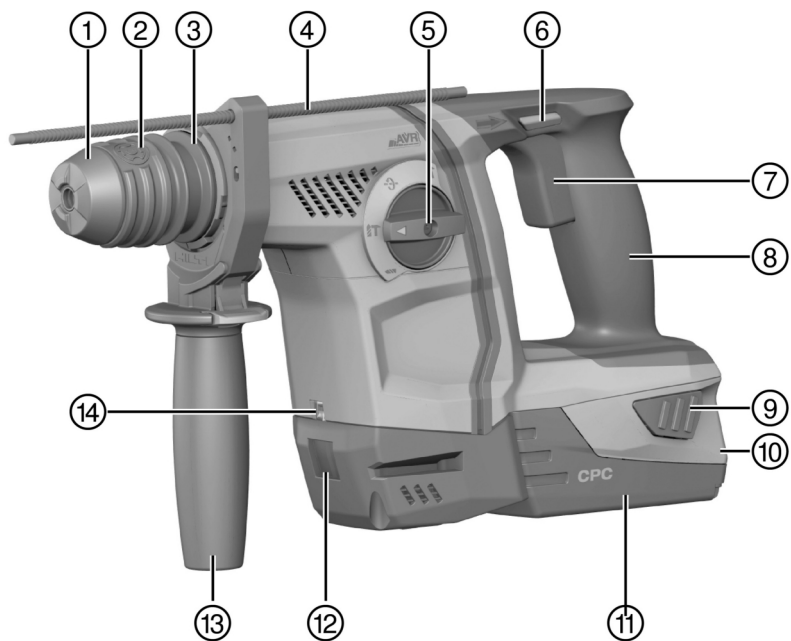




TE 6-A36

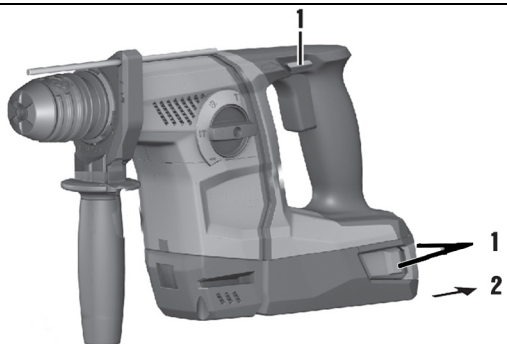
English	1
Français	14
Español	27
Português	41



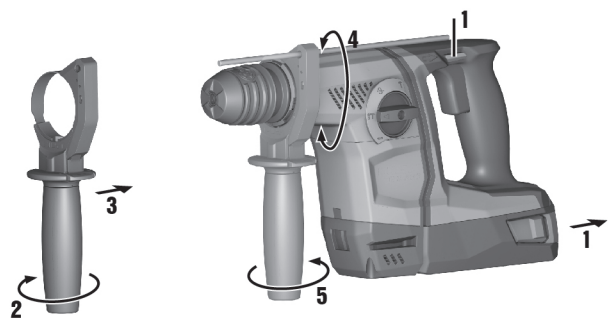
2



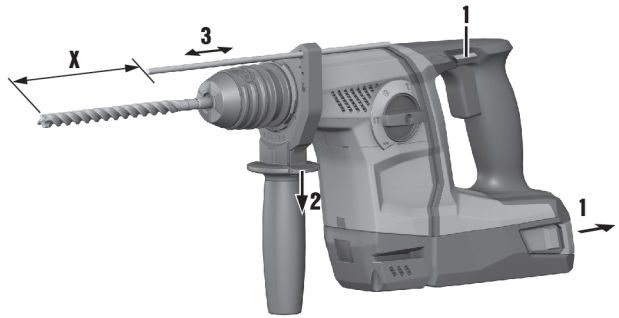
3



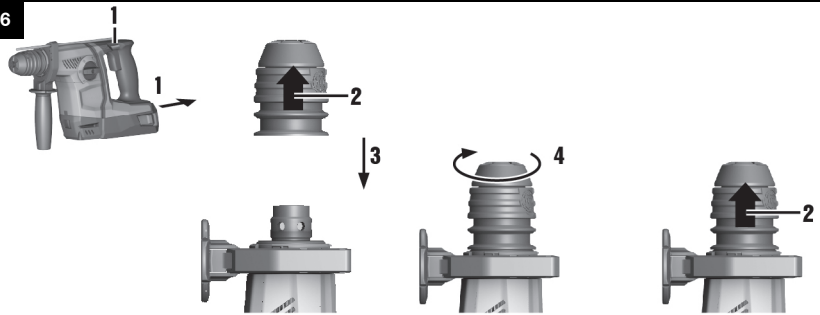
4



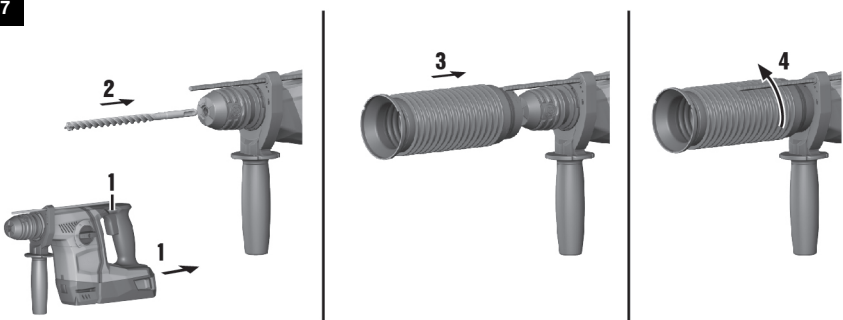
5



6



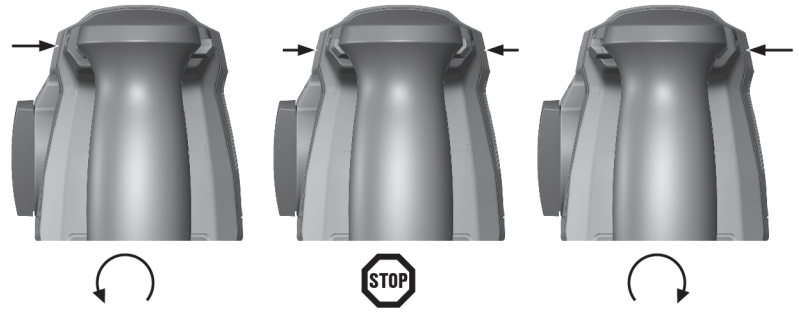
7



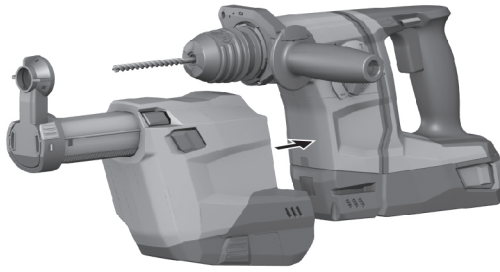
8



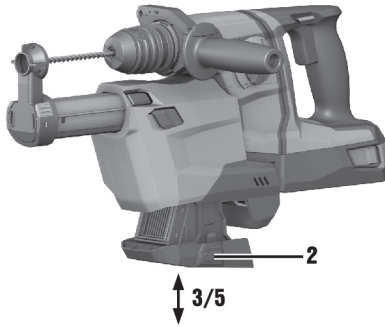
9



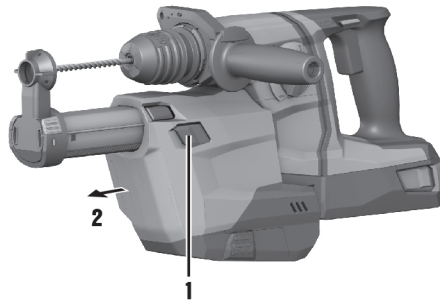
10



11



12



13



TE 6-A36

en	Original operating instructions	1
fr	Notice d'utilisation originale	14
es	Manual de instrucciones original	27
pt	Manual de instruções original	41

Original operating instructions

1 Information about the operating instructions

1.1 About these operating instructions

- Read these operating instructions before the product is used or operated for the first time. This is a prerequisite for safe, trouble-free handling and use of the product.
- Observe the safety instructions and warnings in these operating instructions and on the product.
- Always keep the operating instructions with the product and make sure that the product is accompanied by these operating instructions only, when the product is given to other persons.

1.2 Explanation of symbols

1.2.1 Warnings

Warnings alert persons to hazards that occur when handling or using the product. The following signal words are used:

DANGER

DANGER !

- ▶ Draws attention to imminent danger that will lead to serious personal injury or fatality.

WARNING

WARNING !

- ▶ Draws attention to a potential threat of danger that can lead to serious injury or fatality.

CAUTION

CAUTION !

- ▶ Draws attention to a potentially dangerous situation that could lead to personal injury or damage to the equipment or other property.

1.2.2 Symbols in the operating instructions

The following symbols are used in these operating instructions:

	Comply with the operating instructions
	Instructions for use and other useful information
	Dealing with recyclable materials
	Do not dispose of electric equipment and batteries as household waste
	Hilti Li-ion battery
	Hilti charger

1.2.3 Symbols in illustrations

The following symbols are used in illustrations:

	These numbers refer to the illustrations at the beginning of these operating instructions.
3	The numbers in illustrations refer to important work steps or to components important for the work steps. In the text, the corresponding numbers draw attention to these work steps or components, e.g. (3) .
	Item reference numbers are used in the overview illustration and refer to the numbers used in the key in the product overview section.
	This symbol is intended to draw your special attention to certain points for handling the product.



1.3 Product-dependent symbols

1.3.1 Symbols on the product

The following symbols can be used on the product:

	Drilling without hammer action
	Drilling with hammer action (hammer drilling)
	Chiseling
	Chisel positioning
	Forward / reverse
n_0	Rated speed under no load
	Direct current (DC)
	The product supports wireless data transmission compatible with iOS and Android platforms.
	Hilti Li-ion battery type series used. Observe the information given in the section headed Intended use .
Li-ion	Li-ion battery
	Never use the battery as a striking tool.
	Do not drop the battery. Never use a battery that has suffered an impact or is damaged in any other way.

1.4 Product information

Hilti products are designed for professional use and may be operated, serviced and maintained only by trained, authorized personnel. This personnel must be specifically informed about the possible hazards. The product and its ancillary equipment can present hazards if used incorrectly by untrained personnel or if used not in accordance with the intended use.

The type designation and serial number are printed on the rating plate.

- ▶ Write down the serial number in the table below. You will be required to state the product details when contacting Hilti Service or your local Hilti organization to inquire about the product.

Product information

Rotary hammer	TE 6-A36
Generation:	04
Serial no.:	

1.5 Declaration of conformity

We declare, on our sole responsibility, that the product described here complies with the applicable directives and standards. A copy of the declaration issued by the certification department can be found at the end of this documentation.

The technical documentation is filed here:

Hilti Entwicklungsgesellschaft mbH | Tool Certification | Hiltistrasse 6 | 86916 Kaufering, Germany

2 Safety

2.1 General power tool safety warnings

⚠ WARNING Read all safety warnings, instructions, illustrations and specifications provided with this power tool. Failure to follow all instructions listed below may result in electric shock, fire and/or serious injury. **Save all warnings and instructions for future reference.**



The term "power tool" in the warnings refers to your mains-operated (corded) power tool or battery-operated (cordless) power tool.

Work area safety

- ▶ **Keep work area clean and well lit.** Cluttered or dark areas invite accidents.
- ▶ **Do not operate power tools in explosive atmospheres, such as in the presence of flammable liquids, gases or dust.** Power tools create sparks which may ignite the dust or fumes.
- ▶ **Keep children and bystanders away while operating a power tool.** Distractions can cause you to lose control.

Electrical safety

- ▶ **Power tool plugs must match the outlet. Never modify the plug in any way. Do not use any adapter plugs with earthed (grounded) power tools.** Unmodified plugs and matching outlets will reduce risk of electric shock.
- ▶ **Avoid body contact with earthed or grounded surfaces, such as pipes, radiators, ranges and refrigerators.** There is an increased risk of electric shock if your body is earthed or grounded.
- ▶ **Do not expose power tools to rain or wet conditions.** Water entering a power tool will increase the risk of electric shock.
- ▶ **Do not abuse the cord. Never use the cord for carrying, pulling or unplugging the power tool. Keep cord away from heat, oil, sharp edges or moving parts.** Damaged or entangled cords increase the risk of electric shock.
- ▶ **When operating a power tool outdoors, use an extension cord suitable for outdoor use.** Use of a cord suitable for outdoor use reduces the risk of electric shock.
- ▶ **If operating a power tool in a damp location is unavoidable, use a residual current device (RCD) protected supply.** Use of an RCD reduces the risk of electric shock.

Personal safety

- ▶ **Stay alert, watch what you are doing and use common sense when operating a power tool. Do not use a power tool while you are tired or under the influence of drugs, alcohol or medication.** A moment of inattention while operating power tools may result in serious personal injury.
- ▶ **Use personal protective equipment. Always wear eye protection.** Protective equipment such as a dust mask, non-skid safety shoes, hard hat or hearing protection used for appropriate conditions will reduce personal injuries.
- ▶ **Prevent unintentional starting. Ensure the switch is in the off-position before connecting to power source and/or battery pack, picking up or carrying the tool.** Carrying power tools with your finger on the switch or energising power tools that have the switch on invites accidents.
- ▶ **Remove any adjusting key or wrench before turning the power tool on.** A wrench or a key left attached to a rotating part of the power tool may result in personal injury.
- ▶ **Do not overreach. Keep proper footing and balance at all times.** This enables better control of the power tool in unexpected situations.
- ▶ **Dress properly. Do not wear loose clothing or jewellery. Keep your hair and clothing away from moving parts.** Loose clothes, jewellery or long hair can be caught in moving parts.
- ▶ **If devices are provided for the connection of dust extraction and collection facilities, ensure these are connected and properly used.** Use of dust collection can reduce dust-related hazards.
- ▶ **Do not let familiarity gained from frequent use of tools allow you to become complacent and ignore tool safety principles.** A careless action can cause severe injury within a fraction of a second.

Power tool use and care

- ▶ **Do not force the power tool. Use the correct power tool for your application.** The correct power tool will do the job better and safer at the rate for which it was designed.
- ▶ **Do not use the power tool if the switch does not turn it on and off.** Any power tool that cannot be controlled with the switch is dangerous and must be repaired.
- ▶ **Disconnect the plug from the power source and/or remove the battery pack, if detachable, from the power tool before making any adjustments, changing accessories, or storing power tools.** Such preventive safety measures reduce the risk of starting the power tool accidentally.
- ▶ **Store idle power tools out of the reach of children and do not allow persons unfamiliar with the power tool or these instructions to operate the power tool.** Power tools are dangerous in the hands of untrained users.
- ▶ **Maintain power tools and accessories. Check for misalignment or binding of moving parts, breakage of parts and any other condition that may affect the power tool's operation. If damaged, have the power tool repaired before use.** Many accidents are caused by poorly maintained power tools.



- ▶ **Keep cutting tools sharp and clean.** Properly maintained cutting tools with sharp cutting edges are less likely to bind and are easier to control.
- ▶ **Use the power tool, accessories and tool bits etc. in accordance with these instructions, taking into account the working conditions and the work to be performed.** Use of the power tool for operations different from those intended could result in a hazardous situation.
- ▶ **Keep handles and grasping surfaces dry, clean and free from oil and grease.** Slippery handles and grasping surfaces do not allow for safe handling and control of the tool in unexpected situations.

Battery tool use and care

- ▶ **Recharge only with the charger specified by the manufacturer.** A charger that is suitable for one type of battery pack may create a risk of fire when used with another battery pack.
- ▶ **Use power tools only with specifically designated battery packs.** Use of any other battery packs may create a risk of injury and fire.
- ▶ **When battery pack is not in use, keep it away from other metal objects, like paper clips, coins, keys, nails, screws or other small metal objects, that can make a connection from one terminal to another.** Shorting the battery terminals together may cause burns or a fire.
- ▶ **Under abusive conditions, liquid may be ejected from the battery; avoid contact. If contact accidentally occurs, flush with water. If liquid contacts eyes, additionally seek medical help.** Liquid ejected from the battery may cause irritation or burns.
- ▶ **Do not use a battery pack or tool that is damaged or modified.** Damaged or modified batteries may exhibit unpredictable behaviour resulting in fire, explosion or risk of injury.
- ▶ **Do not expose a battery pack or tool to fire or excessive temperature.** Exposure to fire or temperature above 130° C (265 °F) may cause explosion.
- ▶ **Follow all charging instructions and do not charge the battery pack or tool outside the temperature range specified in the instructions.** Charging improperly or at temperatures outside the specified range may damage the battery and increase the risk of fire.

Service

- ▶ **Have your power tool serviced by a qualified repair person using only identical replacement parts.** This will ensure that the safety of the power tool is maintained.
- ▶ **Never service damaged battery packs.** Service of battery packs should only be performed by the manufacturer or authorized service providers.

2.2 Hammer safety warnings

Safety instructions for all operations

- ▶ **Wear ear protectors.** Exposure to noise can cause hearing loss.
- ▶ **Use auxiliary handle(s), if supplied with the tool.** Loss of control can cause personal injury.
- ▶ **Hold the power tool by insulated gripping surfaces, when performing an operation where the cutting accessory may contact hidden wiring.** Cutting accessory contacting a "live" wire may make exposed metal parts of the power tool "live" and could give the operator an electric shock.

Safety instructions when using long drill bits with rotary hammers

- ▶ **Always start drilling at low speed and with the bit tip in contact with the workpiece.** At higher speeds, the bit is likely to bend if allowed to rotate freely without contacting the workpiece, resulting in personal injury.
- ▶ **Apply pressure only in direct line with the bit and do not apply excessive pressure.** Bits can bend causing breakage or loss of control, resulting in personal injury.

2.3 Additional safety instructions for rotary hammer drill

Personal safety

- ▶ Use the product and accessories only when they are in perfect working order.
- ▶ Never tamper with or modify the product or accessories in any way.
- ▶ Use auxiliary handles supplied with the product. Loss of control can cause personal injury.
- ▶ Apply appropriate safety measures at the opposite side of the workpiece in work that involves breaking through. Parts breaking away could fall out and / or fall down causing injury to other persons.
- ▶ Always hold the tool with both hands on the grips provided. Keep the grips clean and dry.
- ▶ Hold the product by the insulated gripping surfaces when performing work in which the accessory tool might come into contact with concealed wiring. If the accessory tool comes into contact with a live wire, metal parts of the power tool can also become live, resulting in an electric shock.
- ▶ Do not touch rotating parts – risk of injury!



- ▶ Wear eye protection, a hard hat and ear protection and suitable respiratory protection while the product is in use.
- ▶ Wear protective gloves when changing the accessory tool. Touching the accessory tool can result in cuts and burns.
- ▶ Wear eye protection. Flying fragments can injure the body and eyes.
- ▶ Dust produced by grinding, sanding, cutting and drilling can contain dangerous chemicals. Some examples are: lead or lead-based paints; brick, concrete and other masonry products, natural stone and other products containing silicates; certain types of wood, such as oak, beech and chemically treated wood; asbestos or materials that contain asbestos. Determine the exposure of the operator and bystanders by means of the hazard classification of the materials to be worked. Implement the necessary measures to restrict exposure to a safe level, for example by the use of a dust collection system or by the wearing of suitable respiratory protection. The general measures for reducing exposure include:
 - ▶ working in an area that is well ventilated,
 - ▶ avoidance of prolonged contact with dust,
 - ▶ directing dust away from the face and body,
 - ▶ wearing protective clothing and washing exposed areas of the skin with water and soap.
- ▶ Take frequent breaks and do physical exercises to improve the blood circulation in your fingers. High vibration during long periods of work can lead to disorders of the blood vessels and nervous system in the fingers, hands and wrists.

Electrical safety

- ▶ Before beginning work, check the working area for concealed electric cables or gas and water pipes. External metal parts of the product could give you an electric shock or cause an explosion if you accidentally damage an electric cable or a gas or water pipe.

Power tool use and care

- ▶ Switch the product off immediately if the accessory tool jams. The product might twist off-line.
- ▶ Wait until the product has come to a complete stop before you lay it down.

2.4 Safety instructions

- ▶ Observe all safety instructions in this documentation and on the device.
- ▶ Use respiratory protection to keep residual dust away from the face and airways when drilling and when servicing the tool or accessories.
- ▶ Always use the side handle on the **Hilti** rotary hammer drill, even when the dust removal module is fitted.

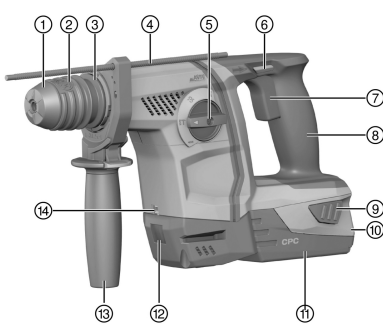
2.5 Careful handling and use of batteries

- ▶ Observe the special guidelines applicable to the transport, storage and use of lithium-ion batteries.
- ▶ Do not expose batteries to high temperatures, direct sunlight or fire.
- ▶ Do not disassemble, crush or incinerate batteries and do not subject them to temperatures over 80 °C (176 °F).
- ▶ Do not use or charge batteries that have suffered mechanical impact, have been dropped from a height or show signs of damage. In this case, always contact your **Hilti Service**.
- ▶ If the battery is too hot to touch it may be defective. Put the battery in a place where it is clearly visible and where there is no risk of fire, at an adequate distance from flammable materials. Allow the battery to cool down. If it is still too hot to touch after an hour, the battery is faulty. Contact **Hilti Service**.



3 Description

3.1 Product overview



- ① Dust shield
- ② tool holder
- ③ Insert tool unlocking device
- ④ Depth gauge
- ⑤ Function selector switch
- ⑥ Forward / reverse switch with switch-on interlock
- ⑦ Control switch
- ⑧ Grip
- ⑨ Battery release buttons
- ⑩ Charge status and fault display (Li-ion battery)
- ⑪ Battery
- ⑫ Connection for the TE DRS-6-A(02) dust removal module
- ⑬ Side handle
- ⑭ Light to illuminate the work area

3.2 Intended use

The product described is a cordless rotary hammer drill. It is designed for drilling in steel, wood and masonry, for hammer-action drilling in concrete and masonry, and for driving and removing screws. The product can also be used for light chiseling work on masonry and surface finishing on concrete.

- ▶ Use only **Hilti** Li-ion batteries from the B 36 series with this product.
- ▶ Use only the **Hilti** battery chargers from the C4/36 series for these batteries.

3.3 Lithium-ion battery status display

The charge status of the Li-ion battery and malfunctions of the power tool are indicated by the display on the Li-ion battery. The charge status of the Li-ion battery is displayed after pressing one of the two battery release buttons.

Status	Meaning
4 LEDs light up.	Charge status: 75 % to 100 %
3 LEDs light up.	Charge status: 50 % to 75 %
2 LEDs light up.	Charge status: 25 % to 50 %
1 LED lights up.	Charge status: 10 % to 25 %
1 LED blinks.	Charge status: < 10 %



Battery charge status cannot be displayed while the control switch is pressed and for up to 5 seconds after releasing the control switch. If the battery display LEDs blink, please observe the instructions given in the Troubleshooting section.

3.4 Items supplied

Rotary hammer, side handle, depth gauge, operating instructions.

Other system products approved for use with this product can be found at your local **Hilti Store** or at: www.hilti.group



4 Technical data

4.1 Battery

Battery operating voltage	36 V
Ambient temperature for operation	1 °F ... 140 °F (-17 °C ... 60 °C)
Storage temperature	-4 °F ... 104 °F (-20 °C ... 40 °C)
Battery charging starting temperature	14 °F ... 113 °F (-10 °C ... 45 °C)

4.2 Rotary hammer

	TE 6-A36
Rated voltage	36 V
Weight	8.2 lb (3.7 kg)
Rated speed under no load	1,050 /min
Single impact energy	2.5 J
Drilling diameter range in concrete/masonry (hammer drilling)	3/16 in ... 1 1/16 in
Drilling diameter range in concrete/masonry (hammer drilling)	4 mm ... 28 mm
Drilling diameter range in wood (solid)	1/8 in ... 3/4 in
Drilling diameter range in wood (solid)	3 mm ... 20 mm
Drilling diameter range in metal (solid-head drill bit)	1/8 in ... 1/2 in
Drilling diameter range in metal (solid-head drill bit)	3 mm ... 13 mm

5 Operation

5.1 Preparations at the workplace

WARNING

Risk of injury by inadvertent starting!

- ▶ Before inserting the battery, make sure that the product is switched off.
- ▶ Remove the battery before making any adjustments to the power tool or before changing accessories.

Observe the safety instructions and warnings in this documentation and on the product.

5.2 Inserting the battery

CAUTION

Risk of injury! Inadvertent starting of the rotary hammer drill.

- ▶ Before installing the battery, check that the rotary hammer drill is switched off and that the forward/reverse switch is in the middle position (i.e. switch-on interlock engaged).

1. Push the battery into the battery holder until it engages with an audible click.
2. Check that the battery is seated securely.

5.3 Removing the battery

1. Press the release buttons on the battery.
2. Pull the battery out toward the rear.



5.4 Fitting the side handle 4

CAUTION

Risk of injury! Loss of control over the product.

- ▶ Check that the side handle is fitted correctly and tightened securely. Check that the clamping band is engaged in the groove in the product.

1. Release the side handle clamping band by turning the handle grip.
2. From the front, slide the depth gauge into the 2 guide holes.
3. Tighten the side handle clamping band by turning the handle grip.

5.5 Fitting and adjusting the depth gauge 5

- ▶ Fit the depth gauge, if necessary, and adjust it correctly.

5.6 Fitting / removing the chuck 6

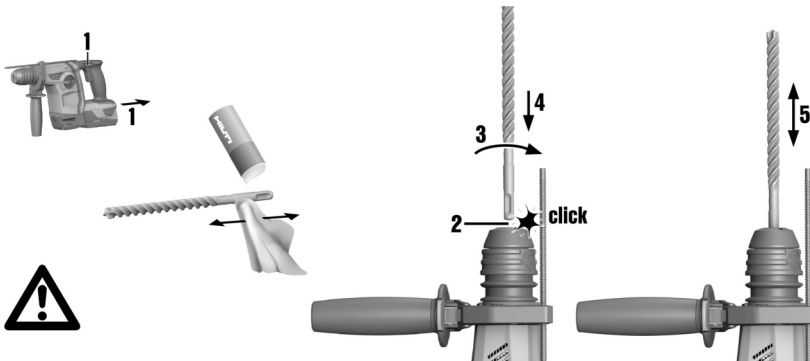
CAUTION

Risk of injury! The depth gauge, if fitted but not used, might hinder the operator.

- ▶ Remove the depth gauge from the tool.

- ▶ Fit / remove the chuck.

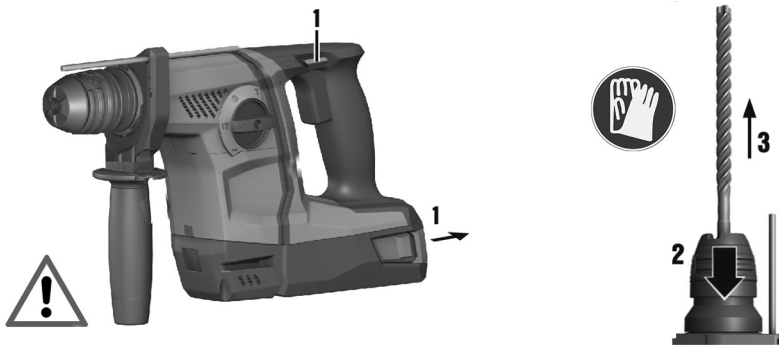
5.7 Inserting accessory tool



1. Lightly grease the connection end of the accessory tool.
 - ▶ Use only genuine **Hilti** grease. Using the wrong grease can result in damage to the tool.
2. Push the accessory tool into the tool holder as far as it will go (until it engages).
3. After fitting the accessory tool, grip it and pull it in order to check that it is securely engaged.
 - ▶ The product is ready for use.



5.8 Removing the accessory tool

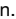


- ▶ Pull the chuck back as far as it will go and remove the accessory tool.

5.9 Overhead work

- ▶ Fit the DCD dust control ring for overhead work.

5.10 Chisel positioning

- ▶ Set the function switch to the  position.

6 Types of work

6.1 Function selector switch

- ▶ Set the function selector switch to the desired working position.
 - ▶ Do not operate the function selector switch while the motor is running. **Risk of damage!**

6.2 Forward/reverse

- ▶ Set the forward/reverse switch to the desired direction of rotation.


6.3 Drilling without hammer action

- ▶ Set the function selector switch to the  position.

6.4 Drilling with hammer action

- ▶ Set the function selector switch to the  position.

6.5 Chiseling

- ▶ Set the function switch to the  position.
 - ▶ For optimum motor cooling, select the forward direction, i.e. clockwise (direction of rotation for drilling).

7 Care and maintenance

7.1 Care and maintenance

WARNING

Risk of injury with battery inserted !

- ▶ Always remove the battery before carrying out care and maintenance tasks!



Care of the product

- Carefully remove stubborn dirt.
- Carefully clean the air vents, if present, with a dry, soft brush.
- Use only a slightly damp cloth to clean the housing. Do not use cleaning agents containing silicone as these can attack the plastic parts.
- Use a dry, clean cloth to clean the contacts of the product.

Care of the Li-ion batteries

- Never use a battery with clogged air vents. Clean the air vents carefully using a dry, soft brush.
- Avoid unnecessary exposure of the battery to dust and dirt. Never expose the battery to high levels of moisture (e.g. by being dipped in water or left in the rain).

If a battery has been soaked by moisture, treat it as a damaged battery. Isolate it in a non-flammable container and consult **Hilti Service**.

- Keep the battery free of extraneous oil and grease. Do not permit dust or dirt to accumulate unnecessarily on the battery. Clean the battery with a dry, soft brush or a clean, dry cloth. Do not use cleaning agents containing silicone as these can attack the plastic parts.
Do not touch the contacts of the battery and do not remove the factory-applied grease from the contacts.
- Use only a slightly damp cloth to clean the housing. Do not use cleaning agents containing silicone as these can attack the plastic parts.

Maintenance

- Check all visible parts and controls for signs of damage at regular intervals and make sure that they all function correctly.
- Do not use the product if signs of damage are found or if parts malfunction. Immediately have the product repaired by **Hilti Service**.
- After cleaning and maintenance, install all guards and protective devices and check that they are in full working order.



To help ensure safe and reliable operation, use only genuine Hilti spare parts and consumables. Spare parts, consumables and accessories approved by **Hilti** for use with your product can be found at your **Hilti Store** or online at: www.hilti.group

7.2 Cleaning the dust shield

- ▶ Clean the dust shield on the chuck with a dry, clean cloth at regular intervals.
- ▶ Clean the sealing lip by wiping it carefully and then grease it again lightly with **Hilti** grease.
- ▶ It is essential that the dust shield is replaced if the sealing lip is damaged.

8 Transport and storage**8.1 Transport and storage of cordless tools and batteries****Transport** **CAUTION****Accidental starting during transport !**

- ▶ Always transport your products with the batteries removed!
- ▶ Remove the battery/batteries.
- ▶ Never transport batteries loose and unprotected. During transport, batteries should be protected from excessive shock and vibration and isolated from any conductive materials or other batteries that may come in contact with the terminals and cause a short circuit. **Comply with the locally applicable regulations for transporting batteries.**
- ▶ Do not send batteries through the mail. Consult your shipper for instructions on how to ship undamaged batteries.
- ▶ Prior to each use and before and after prolonged transport, check the product and the batteries for damage.

Storage **WARNING****Accidental damage caused by defective or leaking batteries !**

- ▶ Always store your products with the batteries removed!



- ▶ Store the product and the batteries in a cool and dry place. Comply with the temperature limits stated in the technical data.
- ▶ Do not store batteries on the charger. Always remove the battery from the charger when the charging operation has completed.
- ▶ Never leave batteries in direct sunlight, on sources of heat, or behind glass.
- ▶ Store the product and batteries where they cannot be accessed by children or unauthorized persons.
- ▶ Prior to each use and before and after prolonged storage, check the product and the batteries for damage.






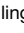
9 Troubleshooting

If the trouble you are experiencing is not listed in this table or you are unable to remedy the problem by yourself, please contact **Hilti Service**.



9.1 The rotary hammer is not in working order

Malfunction	Possible cause	Action to be taken
No response from the LEDs on the battery.	The battery is not fully inserted.	▶ Push the battery in until it engages with a double click.
	Battery is discharged.	▶ Change the battery and charge the empty battery.
	The battery is too hot or too cold.	▶ Allow the battery to cool down or to warm up to room temperature.
1 LED on the battery flashes.	Battery is discharged.	▶ Change the battery and charge the empty battery.
	The battery is too hot or too cold.	▶ Allow the battery to cool down or to warm up to room temperature.
4 LEDs on the battery flash.	The rotary hammer has been over-loaded briefly.	▶ Release the control switch and then press it again.

9.2 The rotary hammer is in working order

Trouble or fault	Possible cause	Action to be taken
No hammering action.	The rotary hammer is too cold.	▶ Bring the tip of the drill bit into contact with the working surface, switch the rotary hammer on and allow it to run. If necessary, repeat the procedure until the hammering mechanism begins to operate.
	The function switch is set to "Drilling without hammering"  .	▶ Set the function switch to "Hammer drilling"  .
The control switch can't be pressed, i.e. the switch is locked.	The forward / reverse switch is in the middle position.	▶ Push the forward / reverse switch to the right or left.
The drive spindle does not rotate.	The permissible operating temperature of the rotary hammer's electronics has been exceeded.	▶ Allow the tool to cool down.
	Battery is discharged.	▶ Change the battery and charge the empty battery.
	The function selector switch is not correctly engaged, is set to "Chiseling"  , or is set to "Chisel positioning"  .	▶ Set the function selector switch to "Drilling without hammering"  or "Hammer drilling"  .



Trouble or fault	Possible cause	Action to be taken
The rotary hammer switches itself off automatically.	The overload cut-out has been activated.	▶ Release the control switch. Allow the rotary hammer to cool down. Press the control switch again. Reduce the load on the tool.
The battery runs down more quickly than usual.	Very low ambient temperature.	▶ Allow the battery to warm up slowly to room temperature.
The battery does not engage with an audible "double click".	The retaining lugs on the battery are dirty.	▶ Clean the retaining lugs and refit the battery.
The rotary hammer drill or the battery gets very hot.	Electrical fault	▶ Switch off the rotary hammer drill immediately. Remove the battery and keep it under observation. Allow it to cool down. Contact Hilti service.
	The rotary hammer has been overloaded.	▶ Use a more powerful tool.
The insert tool can't be released.	The chuck is not pulled back fully.	▶ Pull the chuck back as far as it will go and remove the tool.
The tool makes no progress.	The rotary hammer has been set to reverse rotation.	▶ Move the forward / reverse switch to the "Forward" position.
	The function switch is set to "Drilling without hammering"  .	▶ Set the function switch to "Hammer drilling"  .

10 Optional accessories

10.1 DCD dust control ring

The DCD dust control ring is an accessory for **Hilti** rotary hammer drills. It collects a high percentage of the dust produced by overhead work and it attaches quickly and easily to the rotary hammer drill.

10.2 TE DRS-6-A / TE DRS-6-A OSHA dust removal module


The TE DRS-6-A dust removal module is an accessory for the **Hilti** TE 6-A36 rotary hammer drill. It collects a high percentage of the dust and it attaches quickly and easily to the rotary hammer drill. The dust removal module has a built-in extractor fan. This fan is driven by its own motor. When the rotary hammer drill is switched on the dust removal module draws its electric power from the rotary hammer drill's battery.

The dust removal module is not suitable for working on metal and wood.

Conditions: TE DRS-6-A OSHA

The TE DRS-6-A OSHA satisfies the requirements of OSHA 1926.1153 Table 1. It has a filter-cleaning mechanism.

10.2.1 Fitting the dust removal module

 Before fitting the module, check that the attachment points and the electrical interfaces on the rotary hammer drill and dust removal module are free of dust and that the parts fit or move freely and easily.

1. Check the dust removal module for damage.
2. Check the ease of movement of the telescoping mechanism.
3. Set the forward / reverse switch on the rotary hammer drill to the middle position.
4. Remove the depth gauge from the side handle.
5. Position the dust removal module on the guides and from the front, push it on to the power tool until it engages.
6. After fitting, check that the dust removal module is secure.



10.2.2 Drilling with the dust removal module

1. Start the dust removal module by pressing the control button on the rotary hammer drill.
2. Hold down the control button until full suction power is reached.
3. Position the suction head with the edge seated flat against the work surface.
4. Drill the hole and ease the product slowly out of the drilled hole in order to catch as much dust as possible.

10.2.3 Emptying the dust box



Regular cleaning and emptying are necessary because a full dust box or a clogged filter can lead to excessive dust formation.

Empty the dust box after drilling 8-10 holes (16 mm x 50 mm) (5/8 in x 2 in).

To minimize dust formation, carefully transfer the dust to a container with a tight-fitting lid.

1. Hold the power tool horizontal and allow it to run for a short time.
 - ▶ This ensures that residual dust deposits in the dust removal module are drawn into the dust box.
2. Press and hold down the release button of the dust box.
3. Pull the dust box down and clear of the dust removal module.
4. Empty the dust box.
 - ▶ Filter is clogged.
 - ▶ Change the filter.
 - ▶ Filter is free of dust.
5. Push the empty dust box back into the dust removal module from below until it engages.

10.2.4 Cleaning the TE-DRS OSHA filter



Clean the filter after drilling 5 holes (16 mm x 50 mm) (1/2 in x 3 in).

- ▶ When suction power diminishes, slide the cleaning mechanism 5 times forward and back until it audibly clicks on each slide.

10.2.5 Removing the module

1. Move the forward / reverse switch on the rotary hammer to the middle position.
2. Press the DRS release button and hold it in this position.
3. Pull the dust removal module forwards away from the power tool.


11 Disposal



WARNING

Risk of injury due to incorrect disposal! Health hazards due to escaping gases or liquids.

- ▶ DO NOT send batteries through the mail!
- ▶ Cover the terminals with a non-conductive material (such as electrical tape) to prevent short circuiting.
- ▶ Dispose of your battery out of the reach of children.
- ▶ Dispose of the battery at your **Hilti Store**, or consult your local governmental garbage disposal or public health and safety resources for disposal instructions.

 Most of the materials from which **Hilti** products are manufactured can be recycled. The materials must be correctly separated before they can be recycled. In many countries, your old tools, machines or appliances can be returned to **Hilti** for recycling. Ask **Hilti Service** or your Hilti sales representative for further information.



- ▶ Do not dispose of power tools, electronic equipment or batteries as household waste!

12 Manufacturer's warranty

- ▶ Please contact your local **Hilti** representative if you have questions about the warranty conditions.



Notice d'utilisation originale

1 Indications relatives au mode d'emploi

1.1 À propos de ce mode d'emploi

- Avant de mettre l'appareil en marche, lire impérativement ce mode d'emploi. C'est la condition préalablement requise pour assurer la sécurité du travail et un maniement sans perturbations.
- Bien respecter les consignes de sécurité et les avertissements du présent mode d'emploi ainsi que celles figurant sur le produit.
- Toujours conserver le mode d'emploi à proximité du produit et uniquement transmettre le produit à des tiers accompagné de ce mode d'emploi.

1.2 Explication des symboles

1.2.1 Avertissements

Les avertissements attirent l'attention sur des dangers liés à l'utilisation du produit. Les termes de signalisation suivants sont utilisés :

DANGER

DANGER !

- ▶ Pour un danger imminent qui peut entraîner de graves blessures corporelles ou la mort.

AVERTISSEMENT

AVERTISSEMENT !

- ▶ Pour un danger potentiel qui peut entraîner de graves blessures corporelles ou la mort.

ATTENTION

ATTENTION !

- ▶ Pour une situation potentiellement dangereuse pouvant entraîner des blessures corporelles ou des dégâts matériels.

1.2.2 Symboles dans le manuel d'utilisation

Les symboles suivants sont utilisés dans le présent manuel d'utilisation :

	Respecter le manuel d'utilisation
	Pour des conseils d'utilisation et autres informations utiles
	Maniement des matériaux recyclables
	Ne pas jeter les appareils électriques et les accus dans les ordures ménagères
	Hilti Accu Li-Ion
	Hilti Chargeur

1.2.3 Symboles dans les illustrations

Les symboles suivants sont utilisés dans les illustrations :

	Ces chiffres renvoient à l'illustration correspondante au début du présent manuel d'utilisation.
	La numérotation dans les illustrations indique les étapes de travail importantes ou les composants importants pour les étapes de travail. Dans le texte, ces étapes de travail ou composants sont mis en évidence avec les numéros correspondants, par ex. (3) .
	Les numéros de position sont utilisés dans l'illustration Vue d'ensemble et renvoient aux numéros des légendes dans la section Vue d'ensemble du produit .
	Ce signe doit inviter à manier le produit en faisant particulièrement attention.



1.3 Symboles spécifiques au produit

1.3.1 Symboles sur le produit

Les symboles suivants peuvent être utilisés sur le produit :

	Perçage sans percussion
	Perçage avec percussion
	Burinage
	Positionnement du burin
	Sens de rotation droite/gauche
n_0	Vitesse nominale à vide
	Courant continu
	Le produit prend en charge la transmission de données sans fil qui est compatible avec les plates-formes iOS et Android.
	Série de type d'accu Li-Ion Hilti utilisée. Observer les instructions au chapitre Utilisation conforme à l'usage prévu .
Li-Ion	Accu Li-Ion
	Ne jamais utiliser l'accu comme outil de percussion.
	Ne pas laisser tomber l'accu. Ne pas utiliser d'accu ayant subi un choc ou d'autres dommages.

1.4 Informations produit

Les produits **Hilti** sont destinés aux professionnels et ne doivent être utilisés, entretenus et réparés que par un personnel autorisé et formé. Ce personnel doit être au courant des dangers inhérents à l'utilisation de l'appareil. Le produit et ses accessoires peuvent s'avérer dangereux s'ils sont utilisés de manière incorrecte par un personnel non qualifié ou de manière non conforme à l'usage prévu.

La désignation du modèle et le numéro de série figurent sur sa plaque signalétique.

- Inscrivez le numéro de série dans le tableau suivant. Les informations produit vous sont demandées lorsque vous contactez nos revendeurs ou services après-vente.

Caractéristiques produit

Perforateur-burineur	TE 6-A36
Génération :	04
N° de série :	

1.5 Déclaration de conformité

Nous déclarons sous notre seule et unique responsabilité que le produit décrit ici est conforme aux directives et normes en vigueur. Une copie de l'attestation délivrée par l'organisme de certification se trouve en fin de la présente documentation.

Pour obtenir les documentations techniques, s'adresser à :

Hilti Entwicklungsgesellschaft mbH | Zulassung Geräte | Hiltistraße 6 | 86916 Kaufering, DE

2 Sécurité

2.1 Indications générales de sécurité pour les appareils électriques

⚠ AVERTISSEMENT Lire toutes les consignes de sécurité et instructions, illustrations et caractéristiques techniques, qui accompagnent cet outil électroportatif. Tout manquement à l'observation des instructions suivantes risque de provoquer une électrocution, un incendie et/ou de graves blessures.



Les consignes de sécurité et instructions doivent être intégralement conservées pour les utilisations futures.

La notion d'« outil électroportatif » mentionnée dans les consignes de sécurité se rapporte à des outils électriques raccordés au secteur (avec câble d'alimentation) et à des outils électriques sur accu (sans câble d'alimentation).

Sécurité sur le lieu de travail

- ▶ **Conserver la zone de travail propre et bien éclairée.** Un lieu de travail en désordre ou mal éclairé augmente le risque d'accidents.
- ▶ **Ne pas faire fonctionner les outils électriques en atmosphère explosive et où se trouvent des liquides, des gaz ou poussières inflammables.** Les outils électriques produisent des étincelles qui peuvent enflammer les poussières ou les fumées.
- ▶ **Maintenir les enfants et les personnes présentes à l'écart pendant l'utilisation de l'outil électroportatif.** En cas d'inattention il y a risque de perdre le contrôle de l'appareil.

Sécurité relative au système électrique

- ▶ **La fiche de secteur de l'outil électroportatif doit être adaptée à la prise de courant. Ne jamais modifier la fiche de quelque façon que ce soit. Ne pas utiliser d'adaptateurs avec des outils électriques à branchement de terre.** Des fiches non modifiées et des prises de courant adaptées réduiront le risque de choc électrique.
- ▶ **Éviter le contact physique avec des surfaces mises à la terre tels que tuyaux, radiateurs, cuisinières et réfrigérateurs.** Il y a un risque élevé de choc électrique au cas où votre corps serait relié à la terre.
- ▶ **Ne pas exposer les outils électroportatifs à la pluie ou à l'humidité.** La pénétration d'eau à l'intérieur d'un outil électroportatif augmentera le risque d'un choc électrique.
- ▶ **Ne jamais utiliser le câble de raccordement à d'autres fins que celles prévues, telles que pour porter, accrocher ou débrancher l'outil électroportatif de la prise de courant. Maintenir le câble de raccordement à l'écart de la chaleur, des parties grasses, des bords tranchants ou des parties en mouvement.** Des câbles de raccordement endommagés ou emmêlés augmentent le risque de choc électrique.
- ▶ **Si l'outil électroportatif est utilisé à l'extérieur, utiliser uniquement des câbles de rallonge homologués pour les applications extérieures.** L'utilisation d'un câble de rallonge homologué pour les applications extérieures réduit le risque d'un choc électrique.
- ▶ **Si l'utilisation de l'outil électrique dans un environnement humide ne peut pas être évitée, utiliser un interrupteur de protection contre les courants de court-circuit.** L'utilisation d'un tel interrupteur de protection réduit le risque d'une décharge électrique.

Sécurité des personnes

- ▶ **Rester vigilant, surveiller ce que l'on fait. Faire preuve de bon sens en utilisant l'outil électroportatif. Ne pas utiliser l'outil électroportatif en étant fatigué ou sous l'emprise de l'alcool, de drogues ou de médicaments.** Un moment d'inattention lors de l'utilisation de l'outil électroportatif peut entraîner des blessures graves.
- ▶ **Utiliser un équipement de protection personnel et toujours porter une protection pour les yeux.** Les équipements de protection personnels tels que masque antipoussière, chaussures de sécurité antidérapantes, casque de protection ou protection acoustique suivant l'utilisation de l'outil électroportatif, réduiront le risque de blessures des personnes.
- ▶ **Éviter une mise en service par mégarde. S'assurer que l'outil électroportatif est arrêté avant de brancher à la source de courant et/ou à l'accu, de le prendre ou de le porter.** Le fait de porter l'outil électroportatif avec le doigt sur l'interrupteur ou de brancher l'appareil sur la source de courant lorsque l'interrupteur est en position de fonctionnement peut entraîner des accidents.
- ▶ **Retirer tout outil de réglage ou toute clé avant de mettre l'outil électroportatif en fonctionnement.** Une clé ou un outil se trouvant sur une partie en rotation peut causer des blessures.
- ▶ **Adopter une bonne posture. Veiller à toujours garder une position stable et équilibrée.** Cela permet un meilleur contrôle de l'outil électroportatif dans des situations inattendues.
- ▶ **S'habiller de manière adaptée. Ne pas porter de vêtements amples ni de bijoux. Garder les cheveux, les vêtements et les gants à distance des parties en mouvement.** Des vêtements amples, des bijoux ou des cheveux longs peuvent être happés par des parties en mouvement.
- ▶ **Si des dispositifs servant à aspirer ou à recueillir les poussières doivent être utilisés, s'assurer qu'ils sont effectivement raccordés et correctement utilisés.** L'utilisation d'un dispositif d'aspiration de la poussière peut réduire les risques dus aux poussières.
- ▶ **Ne pas sous-estimer les mesures de sécurité à prendre et ne pas ignorer sciemment les règles de sécurité applicables aux outils électriques, même si l'on est utilisateur chevronné après de fréquentes utilisations de l'outil électroportatif.** Un manque d'attention peut conduire à de graves blessures en quelques fractions de seconde.



Utilisation et maniement de l'outil électroportatif

- ▶ **Ne pas forcer l'appareil. Utiliser l'outil électroportatif adapté au travail à effectuer.** Un outil électroportatif approprié réalisera mieux le travail et de manière plus sûre au régime pour lequel il a été conçu.
- ▶ **Ne pas utiliser d'outil électroportatif dont l'interrupteur est défectueux.** Tout outil électroportatif qui ne peut plus être mis en ou hors fonctionnement est dangereux et doit être réparé.
- ▶ **Débrancher la fiche de la prise de courant et/ou l'accu amovible avant d'effectuer des réglages sur l'appareil, de changer les accessoires, ou de ranger l'appareil.** Cette mesure de précaution empêche une mise en fonctionnement par mégarde de l'outil électroportatif.
- ▶ **Conserver les outils électroportatifs non utilisés hors de portée des enfants. Ne permettre l'utilisation de l'appareil à aucune personne qui ne soit pas familiarisée avec celui-ci ou qui n'a pas lu ces instructions.** Les outils électroportatifs sont dangereux lorsqu'ils sont entre les mains de personnes non initiées.
- ▶ **Prendre soin des outils électroportatifs et des accessoires. Vérifier que les parties en mouvement fonctionnent correctement et qu'elles ne sont pas coincées, et contrôler si des parties sont cassées ou endommagées de sorte que le bon fonctionnement de l'outil électroportatif s'en trouve entravé. Faire réparer les parties endommagées avant d'utiliser l'appareil.** De nombreux accidents sont dus à des outils électroportatifs mal entretenus.
- ▶ **Garder les outils de coupe affûtés et propres.** Des outils destinés à couper correctement entretenus avec des arêtes de coupe tranchantes sont moins susceptibles de bloquer et sont plus faciles à contrôler.
- ▶ **L'outil électroportatif, les accessoires, les outils amovibles, etc. doivent être utilisés conformément à ces instructions. Tenir également compte des conditions de travail et du travail à réaliser.** L'utilisation des outils électroportatifs à d'autres fins que celles prévues peut entraîner des situations dangereuses.
- ▶ **Veiller à ce que les poignées et surfaces de préhension soient toujours être sèches, propres et exemptes de traces de graisse ou d'huile.** Avec des poignées et surfaces de préhension glissantes, la sécurité et le contrôle de l'outil électroportatif ne peuvent être assurés dans des situations inopinées.

Utilisation et maniement de l'outil sur accu

- ▶ **Ne charger les accus que dans des chargeurs recommandés par le fabricant.** Si un chargeur approprié à un type spécifique d'accus est utilisé avec des accus non recommandés pour celui-ci, il y a risque d'incendie.
- ▶ **Dans les outils électroportatifs, utiliser uniquement les accus spécialement prévus pour ceux-ci.** L'utilisation de tout autre accu peut entraîner des blessures et des risques d'incendie.
- ▶ **Tenir l'accu non utilisé à l'écart de tous objets métalliques tels qu'agrafes, pièces de monnaie, clés, clous, vis ou autres, étant donné qu'un pontage peut provoquer un court-circuit.** Un court-circuit entre les contacts d'accu peut provoquer des brûlures ou un incendie.
- ▶ **En cas d'utilisation abusive, du liquide peut sortir de l'accu. Éviter tout contact avec ce liquide. En cas de contact par mégarde, rincer soigneusement avec de l'eau. Au cas où le liquide rentrerait dans les yeux, consulter en plus un médecin.** Le liquide qui sort de l'accu peut entraîner des irritations de la peau ou causer des brûlures.
- ▶ **Ne pas utiliser d'accu endommagé ou modifié.** Des accus endommagés ou modifiés peuvent avoir un comportement imprévisible et provoquer un incendie, une explosion ou engendrer un risque de blessures.
- ▶ **Ne jamais exposer l'accu au feu ou à des températures trop élevées.** Le feu ou des températures supérieures à 130 °C (265 °F) peuvent provoquer une explosion.
- ▶ **Suivre toutes les instructions de charge et ne jamais charger l'accu ou l'outil sur accu hors de la plage de températures spécifiée dans le manuel d'utilisation.** Une charge inappropriée ou hors de la plage de températures spécifiée risque d'endommager l'accu et accroître le risque d'incendie.

Service

- ▶ **L'outil électroportatif doit uniquement être réparé par un personnel qualifié et seulement avec des pièces de rechange d'origine.** Ceci permet d'assurer la sécurité de l'appareil.
- ▶ **Ne jamais entretenir d'accus endommagés.** Toutes les opérations d'entretien sur des accus doivent exclusivement être réalisées par le fabricant ou un prestataire de service client agréé.

2.2 Indications générales de sécurité applicables aux burineurs

Consignes de sécurité pour tous les travaux

- ▶ **Porter un casque antibruit.** Le bruit peut entraîner des pertes auditives.
- ▶ **Utiliser la poignée supplémentaire livrée avec l'appareil.** La perte de contrôle peut entraîner des blessures.



- ▶ Tenir l'appareil par les surfaces isolées des poignées lors des travaux pendant lesquels l'outil utilisé risque de toucher des câbles électriques cachés. Le contact avec un câble sous tension risque de mettre les parties métalliques de l'appareil sous tension et de provoquer une décharge électrique.

Consignes de sécurité lors de l'utilisation de la mèche longue

- ▶ **Toujours commencer l'opération de perçage à vitesse réduite et alors que la mèche est en contact avec la pièce travaillée.** En cas de vitesse de rotation plus élevée, la mèche risque de se déformer légèrement si elle peut tourner librement sans contact avec la pièce travaillée et entraîner des blessures.
- ▶ **Ne pas exercer de pression excessive et seulement dans le sens longitudinal.** Les mèches peuvent se tordre et donc se casser, ou il peut y avoir perte de contrôle de l'appareil ce qui entraîne un risque de blessures.

2.3 Consignes de sécurité supplémentaires spécifiques au perforateur-burineur

Sécurité des personnes

- ▶ Utiliser le produit et les accessoires uniquement s'ils sont en parfait état.
- ▶ Ne jamais entreprendre de manipulation ni de modification sur le produit ou les accessoires.
- ▶ Utiliser les poignées supplémentaires livrées avec le produit. La perte de contrôle peut entraîner des blessures.
- ▶ Lors de travaux d'ajourage, protéger l'espace du côté opposé aux travaux. Des morceaux de matériaux risquent d'être éjectés et / ou de tomber, et de blesser d'autres personnes.
- ▶ Toujours tenir le produit des deux mains par les poignées prévues à cet effet. Tenir les poignées toujours sèches et propres.
- ▶ Tenir le produit par les surfaces de préhension isolées lors de travaux pendant lesquels l'outil amovible risque de toucher des câbles électriques cachés. Le contact avec un câble sous tension risque de mettre les parties métalliques de l'appareil sous tension et de provoquer une décharge électrique.
- ▶ Éviter de toucher des pièces en rotation – Risque de blessures !
- ▶ Pendant l'utilisation du produit, porter des lunettes de protection, un casque de protection, un casque antibruit et une protection respiratoire appropriée.
- ▶ Porter des gants de protection pour changer d'outil. Risque de blessures par coupure et de brûlures au contact avec l'outil amovible.
- ▶ Porter des lunettes de protection. Les éclats de matière peuvent entraîner des blessures corporelles et aux yeux.
- ▶ La poussière générée par le meulage, le ponçage, le tronçonnage et le forage peut contenir des produits chimiques dangereux. Par exemple : plomb ou peinture à base de plomb ; brique, béton et autres produits de maçonnerie, pierre naturelle et autres produits contenant des silicates ; certains bois, tels que le chêne, le hêtre et le bois traité chimiquement ; amiante ou matériaux contenant de l'amiante. Déterminer l'exposition de l'opérateur et personnes se trouvant dans l'entourage en fonction de la classe de danger des matériaux traités. Prendre les mesures nécessaires pour maintenir l'exposition à un niveau sûr, par exemple en utilisant un système de collecte des poussières ou en portant une protection respiratoire appropriée. Mesures générales visant à réduire l'exposition :
 - ▶ Travailler dans un endroit bien ventilé
 - ▶ Éviter le contact prolongé avec la poussière
 - ▶ Faire en sorte que la poussière soit dirigée loin du visage et du corps
 - ▶ Porter des vêtements de protection et laver les zones exposées à l'eau et au savon
- ▶ Faire régulièrement des pauses et des exercices pour favoriser l'irrigation sanguine dans les doigts. En cas de travaux prolongés, les fortes vibrations peuvent perturber la circulation dans les vaisseaux sanguins ou le système nerveux dans les doigts, les mains ou le poignet.

Sécurité relative au système électrique

- ▶ Avant d'entamer le travail, vérifier qu'il n'y a pas de câbles ou gaines électriques, tuyaux de gaz ou d'eau cachés dans la zone d'intervention. Les parties métalliques externes du produit peuvent provoquer un choc électrique ou une explosion si vous endommagez une ligne électrique, une conduite de gaz ou une conduite d'eau.

Utilisation et emploi soigneux de l'outil électroportatif

- ▶ Arrêter immédiatement le produit si l'outil amovible se bloque. Le produit peut dévier latéralement.
- ▶ Attendre l'arrêt complet du produit avant de le déposer.

2.4 Consignes de sécurité

- ▶ Bien respecter les consignes de sécurité de la présente documentation ainsi que celles figurant sur l'appareil.



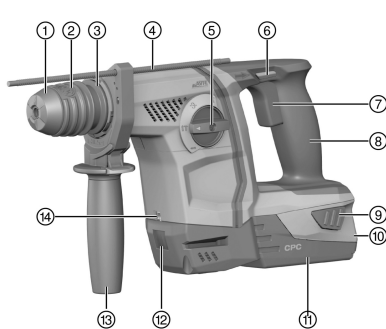
- ▶ Porter un masque respiratoire pour protéger le visage et les voies respiratoires des poussières résiduelles produites lors du perçage et des travaux d'entretien.
- ▶ Même si le module récupérateur de poussières est monté, toujours utiliser la poignée latérale du perforateur-burineur **Hilti**.

2.5 Utilisation et emploi soigneux des accus

- ▶ Respecter les directives spécifiques relatives au transport, au stockage et à l'utilisation des accus Li-Ion.
- ▶ Ne pas exposer les accus à des températures élevées, ni au rayonnement direct du soleil ni au feu.
- ▶ Les accus ne doivent pas être démontés, écrasés, chauffés à une température supérieure à 80 °C (176 °F) ou jetés au feu.
- ▶ Ne jamais utiliser ni charger d'accus qui ont subi un choc électrique, qui sont tombés de plus d'un mètre ou qui ont été endommagés d'une manière quelconque. Si tel est le cas, il convient de contacter le **S.A.V. Hilti**.
- ▶ Si l'accu est trop chaud pour être touché, il est probablement défectueux. Placer l'accu dans un endroit bien visible, non inflammable et suffisamment éloigné de matériaux inflammables. Laisser l'accu refroidir. Si, après une heure, l'accu est toujours trop chaud pour être saisi, c'est qu'il est défectueux. Contacter le **S.A.V. Hilti**.

3 Description

3.1 Vue d'ensemble du produit



- ① Protection anti-poussière
- ② Mandrin
- ③ Déverrouillage de l'outil
- ④ Butée de profondeur
- ⑤ Sélecteur de fonction
- ⑥ Inverseur du sens de rotation droite/ gauche avec antidémarrage
- ⑦ Variateur électronique de vitesse
- ⑧ Poignée
- ⑨ Boutons de déverrouillage de la batterie
- ⑩ Voyants indicateurs de l'état de charge et de défauts (batterie li-ion)
- ⑪ Batterie
- ⑫ Raccord pour le récupérateur de poussières TE DRS-6-A(02)
- ⑬ Poignée latérale
- ⑭ Éclairage du champ de travail

3.2 Utilisation conforme à l'usage prévu

Le produit décrit est un perforateur-burineur sur accu. Il est conçu pour percer dans de l'acier, du bois et de la maçonnerie, percer avec percussion dans du béton et de la maçonnerie et pour serrer et desserrer de la visserie. Le produit peut également être utilisé pour les travaux de burinage légers sur maçonnerie et pour les retouches sur béton.

- ▶ Pour ce produit, utiliser exclusivement les accus Li-Ion **Hilti** de la série B 36.
- ▶ Pour ces accus, utiliser exclusivement les chargeurs **Hilti** de la série C4/36.

3.3 Affichage de l'état des accus Li-Ion

L'état de charge de l'accu Li-Ion ainsi que les dysfonctionnements de l'appareil sont signalés par le biais de l'affichage de l'accu Li-Ion. L'état de charge de l'accu Li-Ion peut être visualisé en appuyant légèrement sur l'un des deux boutons de déverrouillage.

État	Signification
4 LED allumées.	État de charge : 75 % à 100 %
3 LED allumées.	État de charge : 50 % à 75 %
2 LED allumées.	État de charge : 25 % à 50 %



État	Signification
1 LED allumée.	État de charge : 10 % à 25 %
1 LED clignote.	État de charge : < 10 %

Il n'est pas possible d'interroger l'indicateur de l'état de charge lorsque le variateur électronique de vitesse est actionné et jusqu'à 5 secondes après avoir relâché le variateur électronique de vitesse. Si les LED de l'affichage de l'accu clignotent, se reporter au chapitre Aide au dépannage.

3.4 Éléments livrés

Perforateur-burineur, poignée latérale, butée de profondeur, notice d'utilisation.

D'autres produits système pour votre produit peuvent être trouvés dans votre **Hilti Store** ou à l'adresse : www.hilti.group

4 Caractéristiques techniques

4.1 Accu

Tension nominale de l'accu	36 V
Température de service en cours de service	1 °F ... 140 °F (-17 °C ... 60 °C)
Température de stockage	-4 °F ... 104 °F (-20 °C ... 40 °C)
Température de l'accu au début de la charge	14 °F ... 113 °F (-10 °C ... 45 °C)

4.2 Perforateur-burineur

	TE 6-A36
Tension de référence	36 V
Poids	8,2 lb (3,7 kg)
Vitesse nominale à vide	1.050 tr/min
Énergie libérée par coup	2,5 J
Plage de perçage dans le béton/la brique (perçage avec percussion)	3/16 in ... 1 1/16 in
Plage de perçage dans le béton/la brique (perçage avec percussion)	4 mm ... 28 mm
Plage de perçage dans le bois (mèche monobloc)	1/8 in ... 3/4 in
Plage de perçage dans le bois (mèche monobloc)	3 mm ... 20 mm
Plage de perçage dans le métal (mèche monobloc)	1/8 in ... 1/2 in
Plage de perçage dans le métal (mèche monobloc)	3 mm ... 13 mm

5 Utilisation

5.1 Préparatifs

AVERTISSEMENT

Risque de blessures du fait d'une mise en marche inopinée !

- ▶ Avant d'insérer l'accu, s'assurer que le produit correspondant est bien sur arrêt.
- ▶ Retirer le bloc-accu, avant d'effectuer des réglages sur l'appareil ou de changer les accessoires.

Bien respecter les consignes de sécurité et les avertissements de la présente documentation ainsi que celles figurant sur le produit.



5.2 Introduction de l'accu 2

ATTENTION

Risque de blessures ! Mise en marche inopinée du perforateur-burineur.

- ▶ Avant d'insérer l'accu, s'assurer que le perforateur-burineur est bien sur arrêt et que l'inverseur du sens de rotation droite / gauche (blocage anti-démarrage) est en position médiane.

1. Insérer l'accu dans l'appareil jusqu'à ce qu'il s'encliquette avec un clic audible.
2. Vérifier que l'accu est bien en place.

5.3 Retrait de l'accu 3

1. Appuyer sur les boutons de déverrouillage de l'accu.
2. Retirer l'accu vers l'arrière.

5.4 Montage de la poignée latérale 4

ATTENTION

Risque de blessures ! Perte de contrôle sur le produit.

- ▶ S'assurer que la poignée latérale est bien montée et correctement serrée. Veiller à ce que le collier de serrage soit dans l'écrou prévu à cet effet sur le produit.

1. Tourner le dispositif de serrage (collier de serrage) sur la poignée latérale pour desserrer.
2. Faire glisser la butée de profondeur vers l'avant dans les 2 orifices de guidage prévus à cet effet.
3. Tourner le dispositif de serrage (collier de serrage) sur la poignée latérale pour serrer.

5.5 Montage et ajustage de la butée de profondeur 5

- ▶ Si nécessaire, monter la butée de profondeur et l'ajuster.

5.6 Montage/démontage du mandrin 6

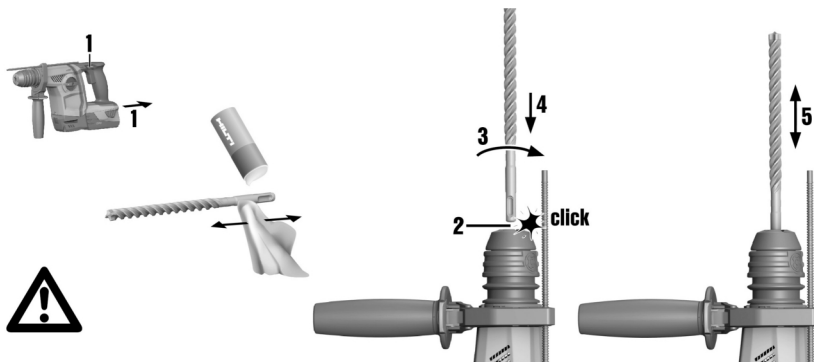
ATTENTION

Risque de blessures ! L'utilisateur risque de se blesser s'il monte inutilement une butée de profondeur.

- ▶ Retirer la butée de profondeur de l'appareil.

- ▶ Monter/démonter le mandrin.

5.7 Mise en place de l'outil

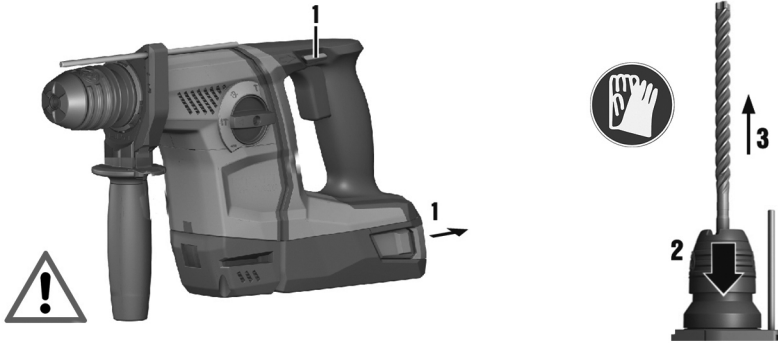


1. Graisser légèrement l'emmanchement de l'outil amovible.
 - ▶ Utiliser exclusivement de la graisse d'origine de **Hilti**. Une graisse inadéquate peut provoquer des dommages sur l'appareil.
2. Emmancher l'outil amovible à fond dans le porte-outil jusqu'à ce qu'il s'encliquette.



3. Une fois mis en place, vérifier que l'outil est bien serré dans le dispositif de verrouillage en tirant dessus.
 - ▶ Le produit est prêt à fonctionner.

5.8 Retrait de l'outil



- ▶ Retirer le dispositif de verrouillage de l'outil jusqu'à la butée et sortir l'outil amovible.

5.9 Travaux au plafond

- ▶ En cas de travaux effectués au-dessus de la tête, monter le manchon attrape-poussière DCD.

5.10 Positionnement du burin

- ▶ Régler le sélecteur de fonction sur cette position

6 Travail

6.1 Sélecteur de fonction

- ▶ Régler le sélecteur de fonction sur la position de travail souhaitée.
 - ▶ Le sélecteur de fonction ne doit pas être actionné pendant le fonctionnement. **Risque d'endommagement !**

6.2 Sens de rotation droite/gauche

- ▶ Régler l'inverseur du sens de rotation droite / gauche sur le sens de rotation souhaité.

6.3 Perçage sans percussion

- ▶ Régler le sélecteur de fonction sur cette position

6.4 Perçage avec percussion

- ▶ Régler le sélecteur de fonction sur cette position

6.5 Burinage

- ▶ Régler le sélecteur de fonction sur cette position
 - ▶ Pour un refroidissement de moteur optimal, sélectionner le sens de rotation vers la droite (sens de rotation du perçage).



7 Nettoyage et entretien

7.1 Nettoyage et entretien

AVERTISSEMENT

Risque de blessures lorsque l'accu est inséré !

- ▶ Toujours retirer l'accu avant tous travaux de nettoyage et d'entretien !

Entretien du produit

- Éliminer avec précaution les saletés récalcitrantes.
- Le cas échéant, nettoyer soigneusement les ouïes d'aération à l'aide d'une brosse sèche et douce.
- Nettoyer le carter de l'appareil uniquement avec un chiffon légèrement humide. Ne pas utiliser de nettoyeurs à base de silicone car ceci pourrait attaquer les pièces en plastique.
- Utiliser un chiffon propre et sec pour nettoyer les contacts du produit.

Entretien des accus Li-ion

- Ne jamais utiliser un accu dont les ouïes d'aération sont bouchées. Nettoyer soigneusement les ouïes d'aération à l'aide d'une brosse sèche et douce.
- Éviter d'exposer inutilement l'accu à la poussière ou à la saleté. Ne jamais exposer l'accu à une forte humidité (par exemple en l'immergeant dans de l'eau ou en le laissant sous la pluie).
Si l'accu a été trempé, le traiter comme un accu endommagé. L'isoler dans un récipient ininflammable et s'adresser au S.A.V. **Hilti**.
- Veiller à ce que l'accu soit toujours exempt de traces de graisse et d'huile étrangères. Ne pas laisser de la poussière ou de la saleté s'accumuler inutilement sur l'accu. Nettoyer l'accu avec une brosse sèche et douce ou un chiffon propre et sec. Ne pas utiliser de nettoyeurs à base de silicone car ceci pourrait attaquer les pièces en plastique.
Ne pas toucher les contacts de l'accu et ne pas enlever la graisse appliquée en usine sur les contacts.
- Nettoyer le carter de l'appareil uniquement avec un chiffon légèrement humide. Ne pas utiliser de nettoyeurs à base de silicone car ceci pourrait attaquer les pièces en plastique.

Entretien

- Vérifier régulièrement qu'aucune pièce visible n'est endommagée et que les organes de commande sont parfaitement opérationnels.
- Ne pas utiliser le produit en cas d'endommagements et/ou de dysfonctionnements. Faire immédiatement réparer le produit par le S.A.V. **Hilti**.
- Après des travaux de nettoyage et d'entretien, vérifier si tous les équipements de protection sont bien en place et fonctionnent parfaitement.



Pour une utilisation en toute sécurité, utiliser uniquement des pièces de rechange et consommables d'origine. Vous trouverez les pièces de rechange, consommables et accessoires autorisés par **Hilti** convenant pour votre produit dans le centre **Hilti Store** ou sous : www.hilti.group

7.2 Nettoyage de la protection anti-poussière

- ▶ Nettoyer régulièrement la protection anti-poussière au niveau du mandrin au moyen d'un chiffon propre et sec.
- ▶ Essuyer la lèvres d'étanchéité avec précaution et la graisser à nouveau légèrement avec de la graisse **Hilti**.
- ▶ Si la lèvres d'étanchéité est endommagée, remplacer impérativement la protection anti-poussière.

8 Transport et stockage

8.1 Transport et stockage des outils sur accu et des accus

Transport

ATTENTION

Mise en marche inopinée lors du transport !

- ▶ Toujours retirer les accus avant de transporter les produits !
- ▶ Retirer le ou les accus.
- ▶ Ne jamais transporter les accus en vrac. Pendant le transport, les accus doivent être protégés des vibrations et chocs excessifs, isolés de tout matériau conducteur ou autre accu, pour éviter qu'ils



n'entrent en contact avec d'autres pôles de batterie et qu'ils provoquent un court-circuit. **Tenir compte des prescriptions locales pour le transport d'accus.**

- ▶ Ne pas envoyer les accus par la poste. S'adresser à un service d'expédition s'il faut envoyer des accus non endommagés.
- ▶ Contrôler l'état du produit et des accus avant chaque utilisation, ainsi qu'avant et après tout transport prolongé.

Stockage

AVERTISSEMENT

Endommagement involontaire du fait d'accus défectueux ou de chute d'accu !

- ▶ Toujours retirer les accus avant de stocker les produits !
-
- ▶ Stocker si possible le produit et les accus dans un endroit sec et frais. Respecter les valeurs limites de température indiquées dans les caractéristiques techniques.
 - ▶ Ne pas stocker les accus sur le chargeur. Retirer toujours l'accu du chargeur après la charge.
 - ▶ Ne jamais stocker les accus exposés au soleil, sur des sources de chaleur ou derrière des vitres.
 - ▶ Stocker le produit et les accus à l'abri des enfants et des personnes non autorisées.
 - ▶ Contrôler l'état du produit et des accus avant chaque utilisation, ainsi qu'avant et après tout stockage prolongé.

9 Aide au dépannage

En cas de défaillances non énumérées dans ce tableau ou auxquelles il n'est pas possible de remédier sans aide, contacter le S.A.V. Hilti.

9.1 Le perforateur-burineur n'est pas en état de marche

Défaillance	Causes possibles	Solution
Les LED de la batterie n'incliquent rien.	L'accu n'est pas complètement encliqueté.	▶ Encliqueter l'accu d'un « double-clic ».
	Décharger l'accu.	▶ Remplacer l'accu et charger l'accu vide.
	Accu trop chaud ou trop froid.	▶ Laisser l'accu refroidir ou amener l'accu à la température ambiante.
1 LED clignote sur la batterie.	Décharger l'accu.	▶ Remplacer l'accu et charger l'accu vide.
	Accu trop chaud ou trop froid.	▶ Laisser l'accu refroidir ou amener l'accu à la température ambiante.
4 LED clignent sur l'accu.	Surcharge momentanée du perforateur-burineur.	▶ Relâcher le variateur électronique de vitesse et l'actionner à nouveau.

9.2 Le perforateur-burineur est en état de marche

Défaillance	Causes possibles	Solution
Absence de percussion.	Perforateur-burineur trop froid.	▶ Poser le perforateur-burineur sur le support et le laisser tourner à vide. Répéter si nécessaire jusqu'à ce que le mécanisme de frappe fonctionne.
	Sélecteur de fonction sur "Perçage sans percussion" .	▶ Tourner le sélecteur de fonction sur "Perçage avec percussion" .
Impossible d'enfoncer le variateur électronique de vitesse ou le variateur est bloqué.	Inverseur du sens de rotation droite / gauche sur la position médiane.	▶ Pousser l'inverseur du sens de rotation droite / gauche vers la droite ou la gauche.



Défaillance	Causes possibles	Solution
La broche de l'appareil ne tourne pas.	Dépassement de la température de service admissible pour le système électronique du perforateur-burineur.	► Laisser refroidir l'appareil.
	Décharger l'accu.	► Remplacer l'accu et charger l'accu vide.
	Sélecteur de fonction pas enclenché ou se trouvant sur la position "Burinage" T ou la position "Positionnement du burin" \rightarrow .	► Tourner le sélecteur de fonction sur la position "Perçage sans percussion" \rightarrow ou "Perçage avec percussion" IT .
Le perforateur-burineur s'arrête automatiquement.	La protection électronique contre les surcharges réagit.	► Relâcher le variateur électronique de vitesse. Laisser le perforateur-burineur refroidir. Réactionner le variateur électronique de vitesse. Réduire la charge de l'appareil.
L'accu se vide plus rapidement que d'habitude.	Température ambiante très basse.	► Laisser l'accu se réchauffer lentement à la température ambiante.
L'accu ne s'encliquette pas avec un « double-clic » audible.	Ergots d'encliquetage encrassés sur l'accu.	► Nettoyer les ergots d'encliquetage et réencliquer l'accu dans son logement.
Important dégagement de chaleur dans le perforateur-burineur ou dans l'accu.	Défaut électrique	► Arrêter immédiatement le perforateur-burineur. Retirer l'accu et l'examiner. Le laisser refroidir. Contacter le S.A.V. Hilti .
	Perforateur-burineur surchargé.	► Choisir un appareil plus puissant.
L'outil ne sort pas du dispositif de verrouillage.	Le mandrin n'est pas complètement ouvert.	► Retirer le dispositif de verrouillage de l'outil jusqu'à la butée et sortir l'outil.
L'outil ne perce pas.	Perforateur-burineur réglé sur le sens de rotation gauche.	► Mettre l'inverseur du sens de rotation droite / gauche sur rotation droite.
	Sélecteur de fonction sur "Perçage sans percussion" \rightarrow .	► Tourner le sélecteur de fonction sur "Perçage avec percussion" IT .

10 Accessoires optionnels

10.1 Manchon attrape-poussière DCD

Le manchon attrape-poussière DCD s'utilise comme accessoire du perforateur-burineur **Hilti**. Il permet de collecter la majeure partie des poussières en cas de travaux effectués au-dessus de la tête, et se fixe facilement et rapidement au perforateur-burineur.

10.2 Récupérateur de poussières TE DRS-6-A / TE DRS-6-A OSHA

Le récupérateur de poussières TE DRS-6-A s'utilise comme accessoire du perforateur-burineur **Hilti** TE 6-A36. Il permet de collecter la majeure partie des poussières et se fixe facilement et rapidement au perforateur-burineur. Le récupérateur de poussières contient un ventilateur aspirant entraîné par son propre moteur. À la mise en marche du perforateur-burineur, la batterie de ce dernier alimente le récupérateur en électricité.

Le récupérateur de poussières ne convient pas pour l'usinage du métal et du bois.



Le TE DRS-6-A OSHA est conforme à la directive OSHA 1926.1153 Table 1. Il est équipé d'un mécanisme de nettoyage du filtre.

10.2.1 Montage du récupérateur de poussières **10**



Avant de procéder au montage, vérifier que les points de fixation et les interfaces électriques du perforateur-burineur et du récupérateur de poussières sont exempts de poussières et fonctionnent bien.

1. Vérifiez l'état du récupérateur de poussières.
2. Vérifier que la partie télescopique bouge correctement.
3. Mettre en position médiane l'inverseur du sens de rotation droite/gauche du perforateur-burineur.
4. Retirer la butée de profondeur de la poignée latérale.
5. Pousser le récupérateur de poussières vers l'avant de l'appareil jusqu'à ce qu'il s'encliquette.
6. Après le montage, vérifier que le récupérateur de poussières est bien encliqueté.

10.2.2 Perçage avec le récupérateur de poussières

1. Pour lancer le récupérateur de poussières, appuyez sur le bouton de commande du perforateur-burineur.
2. Maintenez le bouton de commande enfoncé jusqu'à ce que la puissance d'aspiration maximale soit atteinte.
3. Placez la tête d'aspiration verticalement sur le support.
4. Percez le trou et sortez lentement le produit du trou afin de récupérer le maximum de poussières.

10.2.3 Vidage du réservoir à poussière **11**



Pour éviter un dégagement de poussières excessif, il faut régulièrement vider le réservoir à poussière et décolmater le filtre si nécessaire.

Vider le réservoir à poussière après 8 à 10 trous (16 mm x 50 mm) (5/8 in x 2 in).

Pour minimiser le dégagement de poussières, conserver les poussières dans un conteneur fermé.

1. Tenir l'appareil à l'horizontale et le faire brièvement fonctionner.
 - ▶ Les restes de poussières se trouvant dans le récupérateur seront ainsi aspirés dans le réservoir à poussière.
2. Appuyer sur la touche de déverrouillage du réservoir à poussière et la maintenir enfoncée.
3. Sortir le réservoir du récupérateur en le tirant vers le bas.
4. Vider le réservoir à poussière.
 - ▶ Filtre encrassé
 - ▶ Remplacer le filtre.
 - ▶ Le filtre ne contient pas de salissures.
5. Insérer le réservoir à poussière par le bas dans le récupérateur jusqu'à ce qu'il se verrouille.

10.2.4 Nettoyage du filtre TE-DRS-OSHA **13**



Nettoyer le filtre après 5 trous (16 mm x 50 mm) (1/2 pouce x 3 pouces).

- ▶ Lorsque la puissance d'aspiration diminue, appuyez 5 fois vers l'avant et vers l'arrière sur le mécanisme de nettoyage, jusqu'à entendre un clic.

10.2.5 Démontage du récupérateur de poussières **12**

1. Mettre en position médiane l'inverseur du sens de rotation droite/gauche du perforateur-burineur.
2. Appuyer sur le levier de déverrouillage DRS et le maintenir enfoncé.
3. Tirer le récupérateur de poussières vers l'avant pour l'enlever de l'appareil.



11 Recyclage

AVERTISSEMENT

Risque de blessures en cas d'élimination incorrecte ! Émanations possibles de gaz et de liquides nocives pour la santé.

- ▶ Ne pas envoyer ni expédier d'accus endommagés !
- ▶ Recouvrir les raccordements avec un matériau non conducteur pour éviter tout court-circuit.
- ▶ Éliminer les accus en veillant à ce qu'ils soient hors de la portée des enfants.
- ▶ Éliminer l'accu en le déposant auprès du **Hilti Store** local ou s'adresser à l'entreprise de collecte des déchets compétente.

Les produits **Hilti** sont fabriqués pour une grande partie en matériaux recyclables. Le recyclage présuppose un tri adéquat des matériaux. **Hilti** reprend les appareils usagés dans de nombreux pays en vue de leur recyclage. Consulter le service clients **Hilti** ou un conseiller commercial.



- ▶ Ne pas jeter les appareils électriques, électroniques et accus dans les ordures ménagères !

12 Garantie constructeur

- ▶ En cas de questions sur les conditions de garantie, veuillez vous adresser à votre partenaire **Hilti** local.

Manual de instrucciones original

1 Información sobre el manual de instrucciones

1.1 Acerca de este manual de instrucciones

- Lea detenidamente este manual de instrucciones antes de la puesta en servicio. Ello es imprescindible para un trabajo seguro y un manejo sin problemas.
- Observe las indicaciones y advertencias de seguridad en este manual de instrucciones y en el producto.
- Conserve este manual de instrucciones siempre junto con el producto y entregue el producto a otras personas siempre acompañado de este manual de instrucciones.

1.2 Explicación de símbolos

1.2.1 Avisos

Las advertencias de seguridad advierten de peligros derivados del manejo del producto. Se utilizan las siguientes palabras de peligro:

PELIGRO

PELIGRO !

- ▶ Término utilizado para un peligro inminente que puede ocasionar lesiones graves o incluso la muerte.

ADVERTENCIA

ADVERTENCIA !

- ▶ Término utilizado para un posible peligro que puede ocasionar lesiones graves o incluso la muerte.

PRECAUCIÓN

PRECAUCIÓN !

- ▶ Término utilizado para una posible situación peligrosa que puede ocasionar lesiones o daños materiales.

1.2.2 Símbolos en el manual de instrucciones

En este manual de instrucciones se utilizan los siguientes símbolos:



Consulte el manual de instrucciones



	Indicaciones de uso y demás información de interés
	Manejo con materiales reutilizables
	No tire las herramientas eléctricas y las baterías junto con los desperdicios domésticos
	Hilti Batería de Ion-Litio
	Hilti Cargador

1.2.3 Símbolos en las figuras

En las figuras se utilizan los siguientes símbolos:

	Estos números hacen referencia a la figura correspondiente incluida al principio de este manual de instrucciones.
3	La numeración en las figuras hace referencia a pasos de trabajo importantes o componentes importantes para los pasos de trabajo. Estos pasos de trabajo o componentes se resaltan en el texto mediante los correspondientes números, p. ej., (3) .
	En la figura Vista general se utilizan números de posición y los números de la leyenda están explicados en el apartado Vista general del producto .
	Preste especial atención a este símbolo cuando utilice el producto.

1.3 Símbolos del producto

1.3.1 Símbolos en el producto

En el producto se pueden utilizar los siguientes símbolos:

	Taladrar sin percusión
	Taladrar con percusión (taladrar con martillo)
	Cincelar
	Colocar el cincel
	Giro derecha/izquierda
n_0	Número de referencia de revoluciones en vacío
	Corriente continua
	El producto permite la transferencia de datos inalámbrica, compatible con plataformas iOS y Android.
	Serie utilizada de baterías de Ion-Litio Hilti . Consulte las indicaciones recogidas en el capítulo Uso conforme a las prescripciones .
Li-Ion	Batería de Ion-Litio
	Nunca utilice la batería como herramienta de percusión.
	No deje que la batería se caiga. No utilice baterías que hayan recibido algún golpe ni que estén dañadas de alguna otra forma.

1.4 Información del producto

Los productos **Hilti** están diseñados para usuarios profesionales y solo deben ser manejados, conservados y reparados por personal autorizado y debidamente formado. Este personal debe estar especialmente instruido en lo referente a los riesgos de uso. La utilización del producto y sus dispositivos auxiliares puede conllevar riesgos para el usuario en caso de manejarse de forma inadecuada por personal no cualificado o utilizarse para usos diferentes a los que están destinados.



La denominación del modelo y el número de serie están indicados en la placa de identificación.

- ▶ Copie el número de serie en la siguiente tabla. Necesitará los datos del producto para realizar consultas a nuestros representantes o al Departamento de Servicio Técnico.

Datos del producto

Martillo perforador	TE 6-A36
Generación:	04
N.º de serie:	

1.5 Declaración de conformidad

Bajo nuestra exclusiva responsabilidad, declaramos que el producto aquí descrito cumple con las directivas y normas vigentes. Encontrará una reproducción del organismo certificador al final de esta documentación. La documentación técnica se encuentra depositada aquí:

Hilti Entwicklungsgesellschaft mbH | Zulassung Geräte | Hiltistraße 6 | 86916 Kaufering, DE

2 Seguridad

2.1 Indicaciones generales de seguridad para herramientas eléctricas

⚠ ADVERTENCIA Lea con atención todas las indicaciones de seguridad, instrucciones, ilustraciones y datos técnicos correspondientes a esta herramienta eléctrica. La negligencia en el cumplimiento de las instrucciones que se describen a continuación podría provocar descargas eléctricas, incendios o lesiones graves.

Conserve todas las instrucciones e indicaciones de seguridad para futuras consultas.

El término «herramienta eléctrica» empleado en las indicaciones de seguridad se refiere a herramientas eléctricas portátiles, ya sea con cable de red o sin cable, en caso de ser accionadas por batería.

Seguridad en el puesto de trabajo

- ▶ **Mantenga su área de trabajo limpia y bien iluminada.** El desorden o una iluminación deficiente de las zonas de trabajo pueden provocar accidentes.
- ▶ **No utilice la herramienta eléctrica en un entorno con peligro de explosión en el que se encuentren líquidos, gases o polvos inflamables.** Las herramientas eléctricas producen chispas que pueden llegar a inflamar los materiales en polvo o vapores.
- ▶ **Mantenga alejados a los niños y otras personas de su puesto de trabajo al emplear la herramienta eléctrica.** Una distracción le puede hacer perder el control sobre la herramienta.

Seguridad eléctrica

- ▶ **El enchufe de la herramienta eléctrica debe corresponder a la toma de corriente utilizada. No se deberá modificar el enchufe en forma alguna. No utilice enchufes adaptadores para las herramientas eléctricas con puesta a tierra.** Los enchufes sin modificar adecuados a las respectivas tomas de corriente reducen el riesgo de descarga eléctrica.
- ▶ **Evite el contacto corporal con superficies que tengan puesta a tierra, como pueden ser tubos, calefacciones, cocinas y frigoríficos.** El riesgo a quedar expuesto a una sacudida eléctrica es mayor si su cuerpo tiene contacto con tierra.
- ▶ **No exponga las herramientas eléctricas a la lluvia y evite que penetren líquidos en su interior.** El riesgo de recibir descargas eléctricas aumenta si penetra agua en la herramienta eléctrica.
- ▶ **No utilice el cable de conexión para transportar o colgar la herramienta eléctrica ni tire de él para extraer el enchufe de la toma de corriente. Mantenga el cable de conexión alejado de fuentes de calor, aceite, aristas afiladas o piezas móviles.** Los cables de conexión dañados o enredados pueden provocar descargas eléctricas.
- ▶ **Cuando trabaje al aire libre con una herramienta eléctrica, utilice exclusivamente un alargador adecuado para exteriores.** La utilización de un alargador adecuado para su uso en exteriores evita el riesgo de una descarga eléctrica.
- ▶ **Cuando no pueda evitarse el uso de la herramienta eléctrica en un entorno húmedo, utilice un interruptor de corriente de defecto.** La utilización de un interruptor de corriente de defecto evita el riesgo de una descarga eléctrica.

Seguridad de las personas

- ▶ **Permanezca atento, preste atención durante el trabajo y utilice la herramienta eléctrica con prudencia. No utilice una herramienta eléctrica si está cansado, ni tampoco después de haber consumido alcohol, drogas o medicamentos.** Un momento de descuido al utilizar la herramienta eléctrica podría producir graves lesiones.



- ▶ **Utilice el equipo de seguridad personal adecuado y lleve siempre gafas protectoras.** El riesgo de lesiones se reduce considerablemente si, según el tipo y la aplicación de la herramienta eléctrica empleada, se utiliza un equipo de seguridad personal adecuado como una mascarilla antipolvo, zapatos de seguridad con suela antideslizante, casco de protección o protección para los oídos.
- ▶ **Evite una puesta en servicio fortuita de la herramienta. Asegúrese de que la herramienta eléctrica está apagada antes de alzarla, transportarla, conectarla a la toma de corriente o insertar la batería.** Si transporta la herramienta eléctrica sujetándola por el interruptor de conexión/desconexión o si introduce el enchufe en la toma de corriente con la herramienta conectada, podría producirse un accidente.
- ▶ **Retire las herramientas de ajuste o llaves fijas antes de conectar la herramienta eléctrica.** Una herramienta o llave colocada en una pieza giratoria puede producir lesiones al ponerse en funcionamiento.
- ▶ **Evite adoptar posturas forzadas. Procure que la postura sea estable y manténgase siempre en equilibrio.** De esta forma podrá controlar mejor la herramienta eléctrica en caso de presentarse una situación inesperada.
- ▶ **Utilice ropa adecuada. No utilice vestimenta amplia ni joyas. Mantenga su pelo, vestimenta y guantes alejados de las piezas móviles.** La vestimenta suelta, las joyas y el pelo largo se pueden enganchar con las piezas en movimiento.
- ▶ **Siempre que sea posible montar equipos de aspiración o captación de polvo, asegúrese de que están conectados y de que se utilizan correctamente.** El uso de un sistema de aspiración de polvo reduce los riesgos derivados del polvo.
- ▶ **No se crea a salvo de cualquier riesgo ni pase por alto ninguna de las normas de seguridad relativas a las herramientas eléctricas, aun cuando esté familiarizado con la herramienta eléctrica y tenga larga experiencia en su uso.** Una actuación negligente puede provocar lesiones graves en cuestión de segundos.

Uso y manejo de la herramienta eléctrica

- ▶ **No sobrecargue la herramienta. Utilice la herramienta eléctrica adecuada para el trabajo que se dispone a realizar.** Con la herramienta eléctrica apropiada podrá trabajar mejor y de modo más seguro dentro del margen de potencia indicado.
- ▶ **No utilice herramientas eléctricas con el interruptor defectuoso.** Las herramientas eléctricas que no se puedan conectar o desconectar son peligrosas y deben repararse.
- ▶ **Extraiga el enchufe de la toma de corriente o retire la batería extraíble antes de efectuar cualquier ajuste en la herramienta, cambiar accesorios o en caso de no utilizar la herramienta durante un tiempo prolongado.** Esta medida preventiva evita el riesgo de arranque accidental de la herramienta eléctrica.
- ▶ **Guarde las herramientas eléctricas que no utilice fuera del alcance de los niños. No permita utilizar la herramienta a ninguna persona que no esté familiarizada con ella o que no haya leído este manual de instrucciones.** Las herramientas eléctricas utilizadas por personas inexpertas son peligrosas.
- ▶ **Cuide su herramienta eléctrica y los accesorios adecuadamente. Compruebe si las piezas móviles de la herramienta funcionan correctamente y sin atascarse, y si existen piezas rotas o deterioradas que pudieran afectar al funcionamiento de la herramienta eléctrica. Encargue la reparación de las piezas defectuosas antes de usar la herramienta eléctrica.** Muchos accidentes son consecuencia de un mantenimiento inadecuado de la herramienta eléctrica.
- ▶ **Mantenga los útiles limpios y afilados.** Las herramientas de corte bien cuidadas y con aristas afiladas se atascan menos y se guían con más facilidad.
- ▶ **Utilice la herramienta eléctrica, los accesorios, útiles de inserción, etc., de acuerdo con estas instrucciones. Para ello, tenga en cuenta las condiciones de trabajo y la tarea que se va a realizar.** El uso de herramientas eléctricas para trabajos diferentes de aquellos para los que han sido concebidas puede resultar peligroso.
- ▶ **Mantenga las empuñaduras y las superficies de contacto secas, limpias y sin residuos de aceite o grasa.** Las empuñaduras y superficies de contacto resbaladizas impiden manejar y controlar la herramienta eléctrica con seguridad en situaciones imprevistas.

Uso y manejo de la herramienta de batería

- ▶ **Cargue las baterías únicamente con los cargadores recomendados por el fabricante.** Existe riesgo de incendio al intentar cargar baterías de un tipo diferente al previsto para el cargador.
- ▶ **Utilice únicamente las baterías previstas para la herramienta eléctrica.** El uso de otro tipo de baterías puede provocar daños e incluso incendios.
- ▶ **Si no utiliza la batería, guárdela separada de clips, monedas, llaves, clavos, tornillos y demás objetos metálicos que pudieran puentear sus contactos.** El cortocircuito de los contactos de la batería puede causar quemaduras o incendios.



- ▶ **La utilización inadecuada de la batería puede provocar fugas de líquido. Evite el contacto con este líquido. En caso de contacto accidental, enjuague el área afectada con abundante agua. En caso de contacto con los ojos, acuda además inmediatamente a un médico.** El líquido de la batería puede irritar la piel o producir quemaduras.
- ▶ **No utilice baterías dañadas o modificadas.** Una batería dañada o modificada puede tener un comportamiento imprevisible y provocar incendios, explosiones o riesgo de lesiones.
- ▶ **No exponga la batería al fuego o a temperaturas muy elevadas.** El fuego o las temperaturas superiores a 130 °C (265 °F) pueden provocar una explosión.
- ▶ **Siga todas las instrucciones relativas a la carga y no cargue nunca la batería o la herramienta de batería excediendo el rango de temperatura indicado en el manual de instrucciones.** Una carga incorrecta o fuera del rango de temperatura permitido puede destruir la batería y aumentar el riesgo de incendio.

Servicio Técnico

- ▶ **Solicite que un profesional lleve a cabo la reparación de su herramienta eléctrica y que utilice exclusivamente piezas de repuesto originales.** Solamente así se garantiza la seguridad de la herramienta.
- ▶ **No realice nunca el mantenimiento de baterías dañadas.** Cualquier mantenimiento de las baterías debe llevarlo a cabo el fabricante o un centro del Servicio de Atención al Cliente autorizado.

2.2 Indicaciones de seguridad para martillos

Indicaciones de seguridad para todos los trabajos

- ▶ **Utilice protección para los oídos.** El ruido constante puede reducir la capacidad auditiva.
- ▶ **Utilice las empuñaduras adicionales que se suministran con la herramienta.** La pérdida del control puede causar lesiones.
- ▶ **Sujete la herramienta por las empuñaduras aisladas cuando realice trabajos en los que el útil de inserción pueda entrar en contacto con cables eléctricos ocultos.** El contacto con los cables conductores puede traspasar la conductividad a las partes metálicas y producir descargas eléctricas.

Indicaciones de seguridad al utilizar la broca larga

- ▶ **Inicie el proceso de perforación siempre con velocidad baja y mientras la broca esté en contacto con la pieza de trabajo.** A velocidades elevadas, la broca se puede doblar un poco si gira libremente sin entrar en contacto con la pieza de trabajo, lo que puede provocar lesiones.
- ▶ **No aplique una presión excesiva y solo en sentido longitudinal respecto a la broca.** Las brocas pueden doblarse y, por consiguiente, romperse o provocar la pérdida del control e incluso lesiones.

2.3 Indicaciones de seguridad adicionales para el martillo perforador

Seguridad de las personas

- ▶ Utilice el producto y los accesorios solo si están en perfecto estado técnico.
- ▶ No efectúe nunca manipulaciones o modificaciones en el producto ni en los accesorios.
- ▶ Utilice las empuñaduras adicionales que se suministran con el producto. La pérdida del control puede causar lesiones.
- ▶ Durante el proceso de taladrado, proteja la zona opuesta al lugar donde se realiza el trabajo, ya que pueden desprenderse cascotes y causar heridas a otras personas.
- ▶ Sujete siempre el producto con ambas manos por las empuñaduras previstas. Mantenga las empuñaduras secas y limpias.
- ▶ Sujete el producto por las empuñaduras aisladas cuando realice trabajos en los que el útil de inserción pueda entrar en contacto con cables eléctricos ocultos. El contacto con los cables conductores puede traspasar la conductividad a las partes metálicas y producir descargas eléctricas.
- ▶ Evite tocar las piezas en movimiento. Existe riesgo de lesiones.
- ▶ Mientras usa el producto, utilice protección para los ojos, casco de protección, protección para los oídos, así como una mascarilla adecuada.
- ▶ Utilice guantes de protección para cambiar el útil. El contacto con el útil de inserción puede producir cortes y quemaduras.
- ▶ Utilice protección para los ojos. El material que sale disparado puede ocasionar lesiones en los ojos y en el cuerpo.



- ▶ El polvo que se genera al pulir, lijar, cortar y taladrar puede contener productos químicos peligrosos, como, por ejemplo, plomo o pinturas basadas en plomo; ladrillos, hormigón y otros productos de mampostería, piedra natural y otros productos que contengan silicatos; determinadas maderas, como el roble o el haya o las maderas tratadas químicamente, o amianto o materiales que contengan asbesto. La exposición del usuario y las personas circundantes debe regularse según la clase de peligro de los materiales con los que se trabaje. Tome las medidas necesarias para mantener la exposición a un nivel seguro, p. ej., mediante el uso de un sistema de recogida de polvo o una mascarilla adecuada. Las medidas genéricas para reducir la exposición son, entre otras:
 - ▶ trabajar en un espacio bien ventilado;
 - ▶ evitar el contacto prolongado con el polvo;
 - ▶ desviar el polvo de la cara y el cuerpo;
 - ▶ usar prendas protectoras y lavar con agua y jabón las zonas expuestas.
- ▶ Efectúe a menudo pausas y ejercicios para mejorar la circulación de los dedos. Tras muchas horas de trabajo expuesto a las vibraciones intensas, pueden surgir complicaciones en los vasos sanguíneos o en el sistema nervioso en dedos, manos o articulaciones de las manos.

Seguridad eléctrica

- ▶ Antes de empezar a trabajar, compruebe si la zona de trabajo oculta cables eléctricos, tuberías de gas o cañerías de agua. Las partes metálicas exteriores del producto pueden provocar una descarga eléctrica o una explosión si se daña un cable eléctrico, una tubería de gas o una cañería de agua.

Manipulación y utilización segura de las herramientas eléctricas

- ▶ Desconecte el producto inmediatamente si el útil de inserción se bloquea. El producto se puede desviar lateralmente.
- ▶ Espere hasta que el producto se haya detenido antes de dejarlo en ninguna superficie.

2.4 Indicaciones de seguridad

- ▶ Observe las indicaciones de seguridad recogidas en esta documentación y las indicadas en la herramienta.
- ▶ Utilice una mascarilla que proteja la cara y las vías respiratorias de los restos de polvo que se desprenden al taladrar y al realizar trabajos de mantenimiento.
- ▶ Utilice siempre también la empuñadura lateral del martillo perforador **Hilti** cuando el módulo de aspiración esté montado.

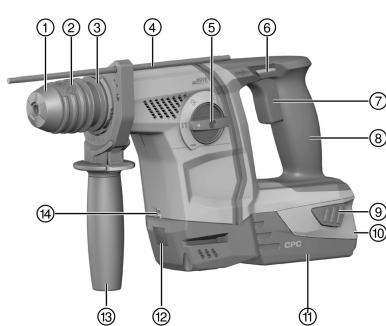
2.5 Manipulación y utilización segura de las baterías

- ▶ Tenga en cuenta las directivas especiales en materia de transporte, almacenamiento y manejo de las baterías de Ion-Litio.
- ▶ Mantenga las baterías alejadas de altas temperaturas, radiación solar directa y fuego.
- ▶ Las baterías no se deben destruir, comprimir, calentar por encima de 80 °C (176 °F) o quemar.
- ▶ No utilice ni cargue baterías que hayan recibido algún golpe, que hayan caído desde una altura superior a un metro o que estén dañadas de alguna otra forma. En este caso, póngase siempre en contacto con el **Hilti Servicio Técnico**.
- ▶ Si al tocar la batería detecta que está muy caliente, puede deberse a una avería en la misma. Coloque la batería en un lugar visible, no inflamable, a suficiente distancia de otros materiales inflamables. Deje que la batería se enfríe. Si, después de una hora, la herramienta sigue estando demasiado caliente para tocarla significa que está averiada. Póngase en contacto con el **Servicio Técnico de Hilti**.



3 Descripción

3.1 Vista general del producto



- ① Tapa de protección contra polvo
- ② Portaútiles
- ③ Desbloqueo del útil
- ④ Tope de profundidad
- ⑤ Interruptor selector de funciones
- ⑥ Conmutador de giro a la derecha/izquierda con bloqueo de conexión
- ⑦ Conmutador de control
- ⑧ Empuñadura
- ⑨ Botones de desbloqueo de la batería
- ⑩ Indicador del estado de carga y de averías (batería de Ion-Litio)
- ⑪ Batería
- ⑫ Conexión para módulo de aspiración TE DRS-6-A(02)
- ⑬ Empuñadura lateral
- ⑭ Iluminación del área de trabajo

3.2 Uso conforme a las prescripciones

El producto descrito es un martillo perforador de batería. Está indicado para taladrar para taladrar en acero, madera y mampostería, para taladrar con martillo en hormigón y mampostería, y para apretar y soltar tornillos. Además, el producto se puede utilizar en trabajos sencillos de cincelado en mampostería y para reparar en hormigón.

- ▶ Para este producto utilice únicamente las baterías de Ion-Litio de **Hilti** de la serie B 36.
- ▶ Para estas baterías utilice exclusivamente los cargadores de **Hilti** de la serie C4/36.

3.3 Indicador de la batería de Ion-Litio

El estado de carga de la batería de Ion-Litio y las averías de la herramienta se indican en el indicador de la batería de Ion-Litio. El estado de carga de la batería de Ion-Litio se visualiza pulsando una de las dos teclas de desbloqueo de la batería.

Estado	Significado
Los 4 LED encendidos.	Estado de carga: 75 % a 100 %
3 LED encendidos.	Estado de carga: 50 % a 75 %
2 LED encendidos.	Estado de carga: 25 % a 50 %
1 LED encendido.	Estado de carga: 10 % a 25 %
1 LED parpadea.	Estado de carga: < 10 %

Con el conmutador de control accionado y hasta 5 s después de soltarlo no es posible consultar el estado de carga. Si los LED del indicador de la batería parpadean, observe las indicaciones del capítulo «Ayuda en caso de averías».

3.4 Suministro

Martillo perforador, empuñadura lateral, tope de profundidad, manual de instrucciones.

Encontrará otros productos del sistema autorizados para su producto en su **Hilti Store** o en Internet, en: www.hilti.group



4 Datos técnicos

4.1 Batería

Tensión de servicio de la batería	36 V
Temperatura ambiente en funcionamiento	1 °F ... 140 °F (-17 °C ... 60 °C)
Temperatura de almacenamiento	-4 °F ... 104 °F (-20 °C ... 40 °C)
Temperatura de la batería al comenzar la carga	14 °F ... 113 °F (-10 °C ... 45 °C)

4.2 Martillo perforador

	TE 6-A36
Tensión nominal	36 V
Peso	8,2 lb (3,7 kg)
Número de referencia de revoluciones en vacío	1.050 rpm
Energía por impacto	2,5 J
Margen de perforación en hormigón/muro (taladrado con martillo)	3/16 in ... 1 1/16 in
Margen de perforación en hormigón/muro (taladrado con martillo)	4 mm ... 28 mm
Margen de perforación en madera (broca maciza)	1/8 in ... 3/4 in
Margen de perforación en madera (broca maciza)	3 mm ... 20 mm
Margen de perforación en metal (broca maciza)	1/8 in ... 1/2 in
Margen de perforación en metal (broca maciza)	3 mm ... 13 mm

5 Manejo

5.1 Preparación del trabajo

ADVERTENCIA

Riesgo de lesiones por arranque involuntario.

- ▶ Antes de insertar la batería, asegúrese de que el producto correspondiente esté desconectado.
- ▶ Retire la batería antes de realizar ajustes en la herramienta o de cambiar accesorios.

Respete las indicaciones de seguridad y las advertencias presentes en esta documentación y en el producto.

5.2 Colocación de la batería

PRECAUCIÓN

Riesgo de lesiones. Arranque involuntario del martillo perforador.

- ▶ Antes de insertar la batería, asegúrese de que el martillo perforador está desconectado y de que el conmutador de giro a la derecha/izquierda se encuentre en posición central (bloqueo de conexión).

1. Coloque la batería en el soporte de la herramienta hasta que encaje de forma audible.
2. Compruebe que la batería está bien colocada.

5.3 Extracción de la batería

1. Pulse las teclas de desbloqueo de la batería.
2. Extraiga la batería hacia atrás.



5.4 Montaje de la empuñadura lateral 4

PRECAUCIÓN

Riesgo de lesiones. Pérdida de control del producto.

- ▶ Asegúrese de que la empuñadura lateral esté correctamente montada y fijada conforme a las prescripciones. Asegúrese de que la banda de sujeción esté situada en la ranura del producto prevista para tal fin.

1. Gire la empuñadura para soltar el soporte (banda de sujeción) de la empuñadura lateral.
2. Introduzca el tope de profundidad desde delante en los 2 orificios guía previstos para este fin.
3. Gire la empuñadura para fijar el soporte (banda de sujeción) de la empuñadura lateral.

5.5 Montaje y ajuste del tope de profundidad 5

- ▶ Si fuera necesario, coloque el tope de profundidad y ajústelo.

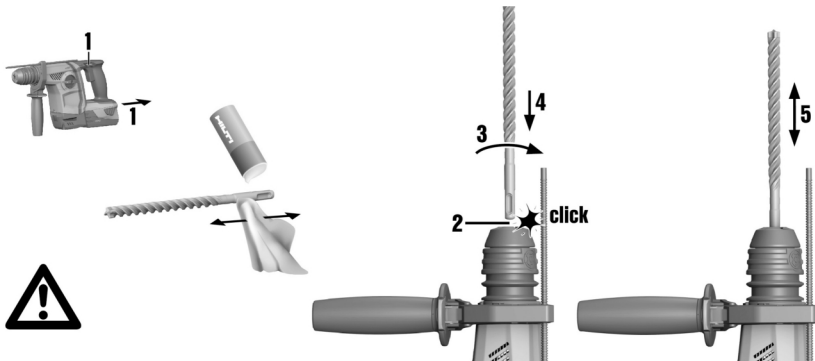
5.6 Montaje/desmontaje del portaútiles 6

PRECAUCIÓN

Riesgo de lesiones. Riesgo de obstáculo para el operario si el tope de profundidad está colocado pero no se utiliza.

- ▶ Retire el tope de profundidad de la herramienta.
- ▶ Monte o desmonte el portaútiles.

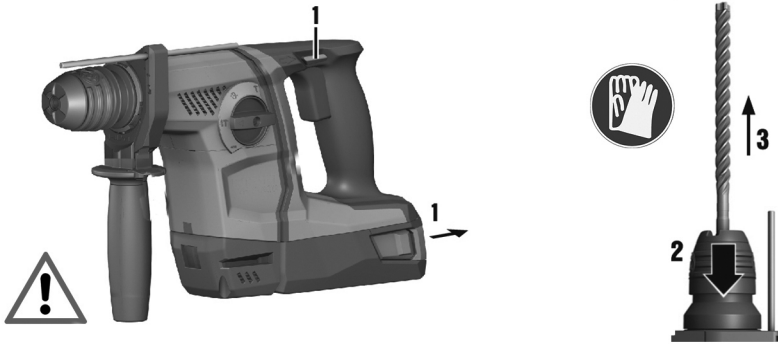
5.7 Inserción del útil



1. Engrase ligeramente el extremo de inserción del útil.
 - ▶ Utilice únicamente grasa original de **Hilti**. Una grasa inadecuada puede provocar daños en la herramienta.
2. Encaje el útil de inserción en el portaútiles introduciéndolo hasta el tope.
3. Una vez insertado, tire del útil para comprobar que está encajado.
 - ▶ El producto está listo para funcionar.



5.8 Extracción del útil



- ▶ Retire el bloqueo del útil hasta el tope y extraiga el útil de inserción.

5.9 Realización de trabajos por encima de la cabeza

- ▶ Monte el anillo colector de polvo DCD para realizar trabajos por encima de la cabeza.

5.10 Colocación del cincel

- ▶ Sitúe el interruptor selector de funciones en esta posición →.

6 Procedimiento de trabajo

6.1 Interruptor selector de funciones

- ▶ Sitúe el interruptor selector de funciones en la posición de trabajo que desee.
 - ▶ El interruptor selector de funciones no debe accionarse durante el servicio. **Riesgo de daños**

6.2 Giro derecha/izquierda

- ▶ Ajuste el conmutador de giro a la derecha/izquierda en la posición de giro deseada.

6.3 Taladrado sin percusión

- ▶ Sitúe el interruptor selector de funciones en esta posición .

6.4 Taladrado con martillo

- ▶ Sitúe el interruptor selector de funciones en esta posición .

6.5 Cincelado

- ▶ Sitúe el interruptor selector de funciones en esta posición .
 - ▶ Para lograr una refrigeración óptima del motor, elija el giro a la derecha (sentido de giro del taladrado).

7 Cuidado y mantenimiento

7.1 Cuidado y mantenimiento

ADVERTENCIA

Riesgo de lesiones con la batería colocada !

- ▶ Extraiga siempre la batería antes de llevar a cabo tareas de cuidado y mantenimiento.

Cuidado del producto

- Elimine con precaución la suciedad fuertemente adherida.



- Las rejillas de ventilación, si las hay, deben limpiarse con cuidadosamente con un cepillo seco y suave.
- Limpie la carcasa solo con un paño ligeramente humedecido. No utilice productos de limpieza que contengan silicona, ya que podrían dañar las piezas de plástico.
- Utilice un paño limpio y seco para limpiar los contactos del producto.

Cuidado de las baterías de Ion-Litio

- No utilice nunca una batería con las rejillas de ventilación obstruidas. Limpie cuidadosamente las rejillas de ventilación con un cepillo seco y suave.
- Evite la exposición innecesaria de la batería al polvo o la suciedad. No exponga nunca la batería a altos niveles de humedad (por ejemplo, sumergiéndola en agua o dejándola bajo la lluvia). Si penetra agua en la batería, trátela como una batería dañada. Aíslela en un recipiente no inflamable y póngase en contacto con el Servicio Técnico de **Hilti**.
- Mantenga la batería limpia de aceite o grasa. No permita la acumulación innecesaria de polvo o suciedad en la batería. Limpie la batería con un cepillo seco y suave o con un paño limpio y seco. No utilice productos de limpieza que contengan silicona, ya que podrían dañar las piezas de plástico. No toque los contactos de la batería y no elimine de los contactos la grasa aplicada de fábrica.
- Limpie la carcasa solo con un paño ligeramente humedecido. No utilice productos de limpieza que contengan silicona, ya que podrían afectar a las piezas de plástico.

Mantenimiento

- Compruebe con regularidad que las piezas visibles no estén dañadas y los elementos de manejo funcionen correctamente.
- No utilice el producto si presenta daños o fallos que afecten al funcionamiento. Encargue inmediatamente la reparación del producto al Servicio Técnico de **Hilti**.
- Tras las tareas de cuidado y mantenimiento, coloque todos los dispositivos de protección y asegúrese de que funcionen correctamente.



Para garantizar un correcto funcionamiento, utilice exclusivamente piezas de repuesto y consumibles originales. Las piezas de repuesto, los consumibles y los accesorios autorizados por **Hilti** se pueden consultar en su **Hilti Store** o en: www.hilti.group

7.2 Limpieza de la tapa de protección contra el polvo

- ▶ Limpie regularmente la tapa de protección contra el polvo del portaútiles con un paño limpio y seco.
- ▶ Limpie con cuidado la falda de obturación y vuelva a lubricarla ligeramente con grasa **Hilti**.
- ▶ Sustituya la tapa de protección contra el polvo de inmediato si la falda de obturación está dañada.

8 Transporte y almacenamiento

8.1 Transporte y almacenamiento de las baterías y sus herramientas

Transporte



Arranque involuntario en el transporte !

- ▶ Transporte sus productos siempre sin batería.
- ▶ Extraiga la(s) batería(s).
- ▶ Nunca transporte las baterías sin embalaje. Durante el transporte, las baterías deben estar protegidas frente a vibraciones y golpes excesivos y aisladas de todo material conductor y de otras baterías para que no entren en contacto con los polos de otras baterías y causen un cortocircuito. **Tenga en cuenta las normativas locales sobre el transporte de baterías.**
- ▶ Las baterías no deben enviarse por correo. Diríjase a una empresa de transporte si quiere enviar baterías no dañadas.
- ▶ Compruebe si el producto o las baterías están dañados antes de cada uso y antes y después de un transporte prolongado.

Almacenamiento



Daños imprevistos debido a una batería defectuosa o agotada !

- ▶ Guarde su productos siempre sin batería.



- ▶ Guarde el producto y las baterías en un lugar fresco y seco. Tenga en cuenta los valores límite de temperatura que figuran en los datos técnicos.
- ▶ No almacene las baterías en el cargador. Extraiga siempre la batería del cargador después del proceso de carga.
- ▶ No guarde nunca las baterías en un lugar expuesto al sol, a fuentes de calor o detrás de un cristal.
- ▶ Guarde el producto y las baterías fuera del alcance de niños y personas no autorizadas.
- ▶ Compruebe si el producto o las baterías están dañados antes de cada uso y antes y después de un almacenamiento prolongado.







9 Ayuda en caso de averías

Si se producen averías que no estén incluidas en esta tabla o que no pueda solucionar usted, diríjase al Servicio Técnico de **Hilti**.

9.1 El martillo perforador no está listo para funcionar

Anomalía	Posible causa	Solución
Los LED de la batería no indican nada.	La batería no se ha insertado completamente.	▶ Encaje la batería hasta que note un doble clic.
	La batería está descargada.	▶ Cambie la batería y recargue la batería vacía.
	La batería está demasiado caliente o fría.	▶ Deje enfriar la batería o espere a que alcance la temperatura de la estancia.
Parpadea 1 LED de la batería.	La batería está descargada.	▶ Cambie la batería y recargue la batería vacía.
	La batería está demasiado caliente o fría.	▶ Deje enfriar la batería o espere a que alcance la temperatura de la estancia.
Parpadean los 4 LED de la batería.	Martillo perforador sobrecargado brevemente.	▶ Suelte el conmutador de control y vuélvalo a accionar.

9.2 El martillo perforador está listo para funcionar

Anomalía	Posible causa	Solución
Sin percusión.	Martillo perforador demasiado frío.	▶ Apoye el martillo perforador en la superficie de trabajo y déjelo funcionando con la marcha en vacío. Repita esta acción si es necesario hasta que funcione el mecanismo de percusión.
	Interruptor selector de funciones en «Taladrar sin percusión»  .	▶ Sitúe el interruptor selector de funciones en la posición «Taladrar con martillo»  .
El conmutador de control no se puede pulsar o está bloqueado.	Conmutador de giro a la derecha/izquierda en posición central.	▶ Presione el conmutador de giro a la derecha/izquierda hacia la derecha o la izquierda.
El husillo de la herramienta no gira.	Se ha sobrepasado la temperatura de servicio autorizada del sistema electrónico del martillo perforador.	▶ Deje que la herramienta se enfríe.
	La batería está descargada.	▶ Cambie la batería y recargue la batería vacía.
	El interruptor selector de funciones no está encajado o se encuentra en la posición «Cincelar»  o «Colocar cincel»  .	▶ Sitúe el interruptor selector de funciones en la posición «Taladrar sin percusión»  o «Taladrar con martillo»  .



Anomalia	Posible causa	Solución
El martillo perforador se desconecta automáticamente.	Se activa la protección contra sobrecarga.	► Suelte el conmutador de control. Deje que el martillo perforador se enfríe. Vuelva a accionar el conmutador de control. Reduzca la carga de la herramienta.
La batería se descarga con mayor rapidez que de costumbre.	Temperatura ambiente demasiado baja.	► Deje que la batería se caliente poco a poco hasta alcanzar la temperatura ambiente.
La batería no encaja con un doble clic audible.	Suciedad en las lengüetas de la batería.	► Limpie las lengüetas y vuelva a colocar la batería.
Calentamiento considerable del martillo perforador o la batería.	Error en el sistema eléctrico.	► Desconecte el martillo perforador de inmediato. Extraiga la batería y obsérvela. Deje que se enfríe. Póngase en contacto con el Servicio Técnico de Hilti .
	Martillo perforador sobrecargado.	► Elija una herramienta más potente.
El útil no se puede desbloquear.	El portaútiles no se ha retraído completamente.	► Retire el bloqueo del útil hasta el tope y extraiga el útil.
El útil no se puede desmontar.	Martillo perforador ajustado en giro a la izquierda.	► Sitúe el conmutador de giro a la derecha/izquierda en giro a la derecha.
	Interruptor selector de funciones en «Taladrar sin percusión»	► Sitúe el interruptor selector de funciones en la posición «Taladrar con martillo»

10 Accesorios opcionales

10.1 Anillo colector de polvo DCD

El anillo colector de polvo DCD se utiliza como accesorio para el martillo perforador **Hilti**. Recoge gran parte del polvo que se genera al realizar trabajos por encima de la cabeza y se fija rápida y fácilmente al martillo perforador.

10.2 Módulo de aspiración TE DRS-6-A / TE DRS-6-A OSHA

El módulo de aspiración TE DRS-6-A se utiliza como accesorio para el martillo perforador **Hilti** TE 6-A36. Recoge gran parte del polvo que se genera y se fija rápida y fácilmente al martillo perforador. En el módulo de aspiración hay integrado un ventilador de aspiración. Este se acciona con un motor propio. Al conectar el martillo perforador, el módulo recibe la corriente procedente de la batería del martillo perforador.

El módulo de aspiración no es apto para trabajos en metal y madera.

Condiciones: TE DRS-6-A OSHA

TE DRS-6-A OSHA cumple la directiva OSHA 1926.1153 Table 1. Está equipada con un dispositivo de limpieza de filtro.

10.2.1 Montaje del módulo de aspiración

Antes de montarlo, asegúrese de que los puntos de fijación y las interfaces eléctricas del martillo perforador y del módulo de aspiración estén libres de polvo y se muevan con suavidad.

1. Compruebe si el módulo de aspiración presenta daños.
2. Compruebe que el telescopio se mueve de forma fluida.
3. Sitúe el conmutador de giro a la derecha/izquierda del martillo perforador en la posición central.
4. Retire el tope de profundidad de la empuñadura lateral.
5. Deslice el módulo de aspiración en la herramienta desde delante hasta que encaje.




6. Una vez montado, compruebe que el módulo de aspiración está correctamente encajado.

10.2.2 Taladrado con el módulo de aspiración

1. Para iniciar el módulo de aspiración, pulse el botón de activación del martillo perforador.
2. Mantenga el botón de activación pulsado hasta que se alcance la máxima potencia de aspiración.
3. Coloque el cabezal de aspiración en vertical respecto a la superficie de trabajo.
4. Realice un agujero con el taladro y, después, tire lentamente del taladro para sacarlo; así absorberá el máximo polvo posible.

10.2.3 Vaciar la caja de polvo


 Una caja de polvo saturada o con el filtro atascado puede provocar que se genere un exceso de polvo, por lo que debe vaciarse con regularidad.

Vacíe la caja de polvo después de 8-10 taladros (16 mm x 50 mm) (5/8 in x 2 in).

Para minimizar la generación de polvo, almacene el polvo en un depósito cerrado.

1. Sostenga la herramienta en horizontal y déjela funcionar brevemente.
 - ▶ De este modo, los restos de polvo que están almacenados en el módulo de aspiración se aspiran en la caja de polvo.
2. Mantenga pulsada la tecla de desbloqueo de la caja de polvo.
3. Extraiga la caja de polvo del módulo de aspiración tirando hacia abajo.
4. Vacíe la caja de polvo.
 - ▶ El filtro está sucio.
 - ▶ Cambie el filtro.
 - ▶ El filtro está libre de suciedad.
5. Deslice la caja de polvo vacía en el módulo de aspiración desde abajo hasta que encaje.

10.2.4 Limpiar filtro TE-DRS-OSHA

 Limpie el filtro tras 5 taladros (16 mm x 50 mm) (1/2 in x 3 in).

- ▶ Si el rendimiento de aspiración disminuye notablemente, pulse el mecanismo de limpieza, hasta que haga clic, 5 veces hacia delante y 5 hacia atrás.

10.2.5 Desmontaje del módulo de aspiración


1. Sitúe el conmutador de giro a la derecha/izquierda del martillo perforador en la posición central.
2. Pulse y mantenga pulsado el desbloqueo DRS.
3. Extraiga el módulo de aspiración de la herramienta hacia delante.

11 Reciclaje

ADVERTENCIA

Riesgo de lesiones por un reciclaje indebido. Riesgo para la salud debido a escapes de gases o líquidos.

- ▶ No envíe baterías dañadas bajo ningún concepto.
- ▶ Cubra las conexiones con un material no conductor para evitar cortocircuitos.
- ▶ Deshágase de las baterías de tal forma que no terminen en manos de niños.
- ▶ Elimine la batería en su **Hilti Store** o diríjase a su empresa de desechos.

 Los productos **Hilti** están fabricados en su mayor parte con materiales reutilizables. La condición para dicha reutilización es una separación adecuada de los materiales. En muchos países, **Hilti** recoge las herramientas usadas para su recuperación. Pregunte al Servicio de Atención al Cliente de **Hilti** o a su asesor de ventas.



- ▶ No deseche las herramientas eléctricas, los aparatos eléctricos ni las baterías junto con los residuos domésticos.



12 Garantia del fabricante

- ▶ Si tiene alguna consulta acerca de las condiciones de la garantía, póngase en contacto con su sucursal local de Hilti.

Manual de instruções original

1 Indicações sobre o Manual de instruções

1.1 Relativamente a este Manual de instruções

- Antes da colocação em funcionamento, leia este manual de instruções. Esta é a condição para um trabalho seguro e um manuseamento sem problemas.
- Tenha em atenção as instruções de segurança e as advertências neste Manual de instruções e no produto.
- Guarde o manual de instruções sempre junto do produto e entregue-o a outras pessoas apenas juntamente com este manual de instruções.

1.2 Explicação dos símbolos

1.2.1 Advertências

As advertências alertam para perigos durante a utilização do produto. São utilizadas as seguintes palavras de aviso:

PERIGO

PERIGO !

- ▶ Indica perigo iminente que pode originar acidentes pessoais graves ou até mesmo fatais.

AVISO

AVISO !

- ▶ Indica um possível perigo que pode causar graves ferimentos pessoais, até mesmo fatais.





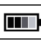

CUIDADO

CUIDADO !

- ▶ Indica uma situação potencialmente perigosa que pode originar ferimentos corporais ou danos materiais.

1.2.2 Símbolos no manual de instruções

Neste manual de instruções são utilizados os seguintes símbolos:

	Consultar o manual de instruções
	Instruções de utilização e outras informações úteis
	Manuseamento com materiais recicláveis
	Não deitar as ferramentas eléctricas e baterias no lixo doméstico
	Bateria de iões de lítio Hilti
	Carregador Hilti

1.2.3 Símbolos nas figuras

Em figuras são utilizados os seguintes símbolos:

- 2** Estes números remetem para a figura respectiva no início do presente manual de instruções.



3	A numeração nas imagens indica passos de trabalho importantes ou componentes importantes para os passos de trabalho. No texto, estes passos de trabalho ou componentes são realçados com os respectivos números, p. ex. (3) .
	Na figura Vista geral são utilizados números de posição que fazem referência aos números da legenda na secção Vista geral do produto .
	Este símbolo pretende despertar a sua atenção durante o manuseamento do produto.

1.3 Símbolos dependentes do produto

1.3.1 Símbolos no produto

No produto, podem usar-se os seguintes símbolos:

	Furar sem percussão
	Furar com percussão (perfurar com percussão)
	Cinzelar
	Posicionar o cinzel
	Rotação direita / esquerda
n_0	Velocidade nominal de rotação sem carga
	Corrente contínua
	O produto suporta a transmissão de dados sem fios, que é compatível com plataformas iOS e Android.
	Série utilizada da bateria de iões de lítio Hilti . Tenha em atenção as indicações no capítulo Utilização conforme a finalidade projectada .
Li-Ion	Bateria de iões de lítio
	Nunca utilize a bateria como ferramenta de percussão.
	Não deixe cair a bateria. Não utilize baterias que tenham recebido uma pancada ou que estejam, de outra forma, danificadas.

1.4 Dados informativos sobre o produto

Os produtos **Hilti** foram concebidos para uso profissional e só devem ser utilizados, mantidos e reparados por pessoal autorizado e devidamente credenciado. Este pessoal deverá estar informado, em particular, sobre os potenciais perigos. O produto e seu equipamento auxiliar podem representar perigo se usados incorrectamente por pessoas não qualificadas ou se usados para fins diferentes daqueles para os quais foram concebidos.

A designação e o número de série são indicados na placa de características.

- ▶ Registe o número de série na tabela seguinte. Os dados do produto são necessários para colocar questões ao nosso representante ou posto de serviço de atendimento aos clientes.

Dados do produto

Martelo perfurador	TE 6-A36
Geração:	04
Nº de série:	

1.5 Declaração de conformidade

Declaramos sob nossa exclusiva responsabilidade que o produto aqui descrito está em conformidade com as directivas e normas em vigor. Na parte final desta documentação encontra uma reprodução do organismo de certificação.

As documentações técnicas estão aqui guardadas:



2 Segurança

2.1 Normas de segurança gerais para ferramentas eléctricas

⚠ AVISO Leia todas as normas de segurança, instruções, imagens e dados técnicos, com os quais esta ferramenta eléctrica está equipada. O não cumprimento das instruções a seguir pode resultar em choque eléctrico, incêndio e/ou ferimentos graves.

Guarde bem todas as normas de segurança e instruções para futura referência.

O termo "ferramenta eléctrica" utilizado nas normas de segurança refere-se a ferramentas com ligação à corrente eléctrica (com cabo de alimentação) ou a ferramentas a bateria (sem cabo).

Segurança no posto de trabalho

- ▶ **Mantenha a sua área de trabalho limpa e bem iluminada.** Locais desarrumados ou mal iluminados podem ocasionar acidentes.
- ▶ **Não utilize a ferramenta eléctrica em ambientes explosivos ou na proximidade de líquidos ou gases inflamáveis.** Ferramentas eléctricas produzem faíscas que podem provocar a ignição de pó e vapores.
- ▶ **Mantenha crianças e terceiros afastados durante os trabalhos.** Distracções podem conduzir à perda de controlo sobre a ferramenta.

Segurança eléctrica

- ▶ **A ficha da ferramenta eléctrica deve servir na tomada. A ficha não deve ser modificada de modo algum. Não utilize quaisquer adaptadores com ferramentas eléctricas com ligação terra.** Fichas originais (não modificadas) e tomadas adequadas reduzem o risco de choque eléctrico.
- ▶ **Evite o contacto do corpo com superfícies ligadas à terra, como, por exemplo, canos, radiadores, fogões e frigoríficos.** Existe um risco elevado de choque eléctrico se o corpo estiver com ligação à terra.
- ▶ **As ferramentas eléctricas não devem ser expostas à chuva nem à humidade.** A infiltração de água numa ferramenta eléctrica aumenta o risco de choque eléctrico.
- ▶ **Não use o cabo de ligação para transportar, pendurar ou desligar a ferramenta eléctrica da tomada. Mantenha o cabo de ligação afastado de calor, óleo, arestas vivas ou partes em movimento.** Cabos de ligação danificados ou emaranhados aumentam o risco de choque eléctrico.
- ▶ **Quando operar uma ferramenta eléctrica ao ar livre, utilize apenas cabos de extensão próprios para utilização no exterior.** A utilização de um cabo de extensão próprio para utilização no exterior reduz o risco de choques eléctricos.
- ▶ **Utilize um disjuntor diferencial se não puder ser evitada a utilização da ferramenta eléctrica em ambiente húmido.** A utilização de um disjuntor diferencial reduz o risco de choque eléctrico.

Segurança física

- ▶ **Esteja alerta, observe o que está a fazer, e tenha prudência ao trabalhar com uma ferramenta eléctrica. Se estiver cansado ou sob influência de drogas, álcool ou medicamentos não efectue nenhum trabalho com ferramentas eléctricas.** Um momento de distração ao operar a ferramenta eléctrica pode causar ferimentos graves.
- ▶ **Use equipamento de segurança. Use sempre óculos de protecção.** Equipamento de segurança, como, por exemplo, máscara antipoeiras, sapatos de segurança antiderrapantes, capacete de segurança ou protecção auricular, de acordo com o tipo e aplicação da ferramenta eléctrica, reduzem o risco de lesões.
- ▶ **Evite um arranque involuntário. Assegure-se de que a ferramenta eléctrica está desligada antes de a ligar à fonte de alimentação e/ou à bateria, pegar nela ou a transportar.** Transportar a ferramenta eléctrica com o dedo no interruptor ou ligar uma ferramenta à tomada com o interruptor ligado (ON) pode resultar em acidentes.
- ▶ **Remova quaisquer chaves de ajuste (chaves de fenda), antes de ligar a ferramenta eléctrica.** Um acessório ou chave deixado preso numa parte rotativa da ferramenta pode causar ferimentos.
- ▶ **Evite posturas corporais desfavoráveis. Mantenha sempre uma posição correcta, em perfeito equilíbrio.** Desta forma será mais fácil manter o controlo sobre a ferramenta eléctrica em situações inesperadas.
- ▶ **Use roupa apropriada. Não use roupa larga ou jóias. Mantenha o cabelo, vestuário e luvas afastados das peças móveis.** Roupas largas, jóias ou cabelos compridos podem ficar presos nas peças móveis.



- ▶ **Se poderem ser montados sistemas de remoção e de recolha de pó, assegure-se de que estes estão ligados e são utilizados correctamente.** A utilização de um sistema de remoção de pó pode reduzir os perigos relacionados com a exposição ao mesmo.
- ▶ **Não se acomode numa falsa sensação de segurança e não ignore os regulamentos de segurança para ferramentas eléctricas, mesmo se estiver familiarizado com a ferramenta eléctrica após numerosas utilizações.** Agir de forma descuidada pode causar ferimentos graves dentro duma fracção de segundo.

Utilização e manuseamento da ferramenta eléctrica

- ▶ **Não sobrecarregue a ferramenta. Use para o seu trabalho a ferramenta eléctrica correcta.** Com a ferramenta eléctrica adequada obterá maior eficiência e segurança se respeitar os seus limites.
- ▶ **Não utilize a ferramenta eléctrica se o interruptor estiver defeituoso.** Uma ferramenta eléctrica que já não possa ser accionada pelo interruptor é perigosa e deve ser reparada.
- ▶ **Retire a ficha da tomada e/ou remova uma bateria amovível antes de efectuar ajustes na ferramenta, substituir acessórios ou guardar a ferramenta.** Esta medida preventiva evita o accionamento acidental da ferramenta eléctrica.
- ▶ **Guarde ferramentas eléctricas não utilizadas fora do alcance das crianças. Não permita que a ferramenta seja utilizada por pessoas não familiarizadas com a mesma ou que não tenham lido estas instruções.** Ferramentas eléctricas operadas por pessoas não treinadas são perigosas.
- ▶ **Faça uma manutenção regular de ferramentas eléctricas e acessórios. Verifique se as partes móveis funcionam perfeitamente e não emperram ou se há peças quebradas ou danificadas que possam influenciar o funcionamento da ferramenta eléctrica. Peças danificadas devem ser reparadas antes da utilização da ferramenta.** Muitos acidentes são causados por ferramentas eléctricas com manutenção deficiente.
- ▶ **Mantenha as ferramentas de corte sempre afiadas e limpas.** Acessórios com gumes afiados tratados correctamente emperram menos e são mais fáceis de controlar.
- ▶ **Utilize a ferramenta eléctrica, acessórios, bits, etc., de acordo com estas instruções. Tome também em consideração as condições de trabalho e o trabalho a ser efectuado.** A utilização da ferramenta eléctrica para outros fins além dos previstos, pode ocasionar situações de perigo.
- ▶ **Mantenha punhos e respectivas superfícies secos, limpos e isentos de óleo e gordura.** Punhos e superfícies afins escorregadios não permitem um manuseamento e controlo seguro da ferramenta eléctrica em situações imprevistas.

Utilização e manuseamento da ferramenta a bateria

- ▶ **Apenas deverá carregar as baterias em carregadores recomendados pelo fabricante.** Num carregador adequado para um determinado tipo de baterias existe perigo de incêndio se for utilizado para outras baterias.
- ▶ **Nas ferramentas eléctricas utilize apenas as baterias previstas.** A utilização de outras baterias pode causar ferimentos e riscos de incêndio.
- ▶ **Quando a bateria não estiver em uso, mantenha-a afastada de outros objectos de metal, como, por exemplo, cliques, moedas, chaves, pregos, parafusos, ou outros pequenos objectos metálicos que possam ligar em ponte os contactos.** Um curto-circuito entre os contactos da bateria pode causar queimaduras ou incêndio.
- ▶ **Utilizações inadequadas podem provocar derrame do líquido da bateria. Evite o contacto com este líquido. No caso de contacto acidental, enxágue imediatamente com água. Se o líquido entrar em contacto com os olhos, procure auxílio médico.** O líquido que escorre da bateria pode provocar irritações ou queimaduras da pele.
- ▶ **Não utilize uma bateria danificada ou modificada.** Baterias danificadas ou modificadas podem ter um comportamento imprevisível e causar fogo, explosão ou risco de ferimentos.
- ▶ **Não exponha uma bateria ao fogo ou a temperaturas excessivas.** Fogo e temperaturas superiores a 130 °C (265 °F) podem provocar uma explosão.
- ▶ **Cumpra todas as instruções sobre o carregamento e nunca carregue a bateria ou a ferramenta a bateria fora da faixa de temperaturas indicada no manual de instruções.** O carregamento errado ou fora da faixa de temperaturas permitida pode destruir a bateria e aumentar o risco de incêndio.

Manutenção

- ▶ **A sua ferramenta eléctrica só deve ser reparada por pessoal qualificado e só devem ser utilizadas peças sobressalentes originais.** Isto assegurará que a segurança da ferramenta se mantenha.
- ▶ **Nunca faça a manutenção de baterias danificadas.** Qualquer manutenção de baterias só deverá ser realizada pelo fabricante ou serviços de assistência técnica autorizados.



2.2 Normas de segurança para martelos

Indicações de segurança para todos os trabalhos

- ▶ **Use protecção auricular.** Ruído em excesso pode levar à perda de audição.
- ▶ **Utilize os punhos auxiliares fornecidos com a ferramenta.** A perda de controlo da ferramenta pode causar ferimentos.
- ▶ **Segure a ferramenta apenas pelas áreas isoladas dos punhos quando executar trabalhos onde o acessório pode encontrar cabos eléctricos encobertos.** O contacto com um cabo sob tensão também pode colocar partes metálicas da ferramenta sob tensão e causar um choque eléctrico.

Indicações de segurança em caso de utilização de brocas compridas

- ▶ **Inicie o processo de perfuração sempre a baixas rotações e enquanto a broca estiver em contacto com a peça a trabalhar.** Se trabalhar com velocidades maiores, a broca poderá deformar-se ligeiramente, se poder rodar livremente, sem contacto com a peça a trabalhar, dando origem a ferimentos.
- ▶ **Não aplique uma pressão excessiva e apenas no sentido longitudinal relativamente à broca.** As brocas podem deformar-se e, deste modo, partir ou originar uma perda de controlo, dando origem a ferimentos.

2.3 Normas de segurança adicionais do martelo perfurador

Segurança física

- ▶ Utilize o produto e os acessórios somente se estiverem em perfeitas condições técnicas.
- ▶ Nunca efectue quaisquer manipulações ou modificações no produto ou nos acessórios.
- ▶ Utilize os punhos adicionais fornecidos com o produto. A perda de controlo da ferramenta pode causar ferimentos.
- ▶ Ao realizar trabalhos de perfuração, vede a área que se encontra do lado oposto dos trabalhos. Restos de demolição podem desprender-se e/ou cair e ferir outras pessoas.
- ▶ Segure o produto sempre com as duas mãos nos punhos previstos para o efeito. Mantenha os punhos secos e limpos.
- ▶ Segure o produto apenas pelas áreas isoladas dos punhos, quando executar trabalhos em que o acessório possa encontrar cabos eléctricos encobertos. O contacto com um cabo sob tensão também pode colocar partes metálicas da ferramenta sob tensão e causar um choque eléctrico.
- ▶ Evite o contacto com peças rotativas - risco de ferimentos!
- ▶ Use óculos de protecção, capacete de segurança, protecção auricular e protecção respiratória adequada durante a utilização do produto.
- ▶ Use luvas de protecção durante a substituição de acessórios. Tocar no acessório pode causar ferimentos por corte e queimaduras.
- ▶ Utilize óculos de protecção. Os estilhaços podem provocar ferimentos corporais, nomeadamente nos olhos.
- ▶ Pó produzido ao rectificar, lixar, cortar e furar pode conter produtos químicos perigosos. Alguns exemplos são: Chumbo ou tintas à base de chumbo; Tijolo, betão e outros produtos de alvenaria, pedra natural e outros produtos que contenham silicatos; Determinadas madeiras, como carvalho, faia e madeira tratada quimicamente; Amianto ou materiais contendo amianto. Determine a exposição do operador e das pessoas que se encontrem nas proximidades através da classe de perigo dos materiais a serem trabalhados. Tome as medidas necessárias para manter a exposição a um nível seguro como, por ex., a utilização de um sistema colectador de pó ou o uso de uma protecção respiratória adequada. As medidas gerais para redução da exposição incluem:
 - ▶ Trabalhar num local bem ventilado,
 - ▶ Evitar o contacto prolongado com pó,
 - ▶ Afastar o pó do rosto e do corpo,
 - ▶ Usar roupa de protecção e lavar áreas expostas com água e sabão.
- ▶ Faça frequentemente pausas e exercícios para melhorar a circulação sanguínea nos dedos. Os trabalhos mais longos, devido às intensas vibrações, podem causar distúrbios nos vasos sanguíneos ou no sistema nervoso dos dedos, mãos ou pulsos.

Segurança eléctrica

- ▶ Antes de iniciar os trabalhos, verifique o local de trabalho relativamente a cabos eléctricos encobertos, bem como tubos de gás e água. Partes metálicas externas do produto podem causar um choque eléctrico ou uma explosão se, inadvertidamente, danificarem uma linha eléctrica, um cano de gás ou de água.



Utilização e manutenção de ferramentas eléctricas

- ▶ Desligue imediatamente o produto, caso o acessório bloqueie. O produto pode desviar-se para os lados.
- ▶ Aguarde até que o produto esteja parado, antes de o pousar.

2.4 Normas de segurança

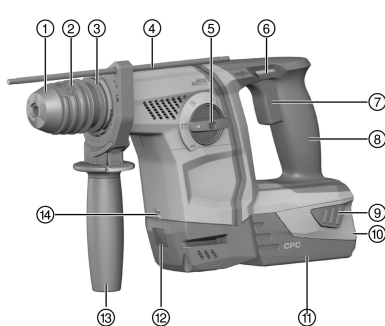
- ▶ Tenha em atenção todas as normas de segurança nesta documentação e na ferramenta.
- ▶ Utilize uma máscara de protecção respiratória que mantenha resíduos de pó, produzidos ao furar e ao efectuar trabalhos de serviço, afastados da face e das vias respiratórias.
- ▶ Mesmo com o módulo de aspiração de pó montado, utilize sempre o punho auxiliar do martelo perfurador **Hilti**.

2.5 Utilização e manutenção de baterias

- ▶ Observe as regras específicas sobre transporte, armazenamento e utilização de baterias de iões de lítio.
- ▶ Mantenha as baterias afastadas de temperaturas elevadas, radiação solar directa e fogo.
- ▶ As baterias não devem ser desmontadas, esmagadas, aquecidas acima dos 80 °C (176 °F) ou incineradas.
- ▶ Não utilize ou carregue quaisquer baterias que tenham sofrido golpes, tenham caído de altura superior a um metro ou tenham sido danificadas de outra forma. Neste caso, contacte sempre o seu **Centro de Assistência Técnica Hilti**.
- ▶ Se a bateria estiver demasiado quente ao toque, poderá estar com defeito. Coloque a bateria num local com boa visibilidade que não constitua risco de incêndio, suficientemente afastado de materiais inflamáveis. Deixe a bateria arrefecer. Se, passado uma hora, a bateria ainda estiver demasiado quente ao toque, então está com defeito. Contacte o **Centro de Assistência Técnica Hilti**.

3 Descrição

3.1 Vista geral do produto



- 1 Capa protetora contra pó
- 2 Porta-ferramentas
- 3 Casquilho de desbloqueio da ferramenta
- 4 Limitador de profundidade
- 5 Seletor de funções
- 6 Comutador de rotação para a direita/esquerda com dispositivo de bloqueio
- 7 Interruptor on/off
- 8 Punho
- 9 Botões de destravamento da bateria
- 10 Indicador do estado de carga e de avaria (bateria de iões de lítio)
- 11 Bateria
- 12 Ligação para módulo de aspiração de pó TE DRS-6-A(02)
- 13 Punho auxiliar
- 14 Iluminação da zona de trabalho

3.2 Utilização conforme a finalidade projectada

O produto descrito é um martelo perfurador a bateria. Está concebido para perfurar com percussão em betão e alvenaria, furar aço, madeira e alvenaria e apertar e desapertar parafusos. Além disso, o produto pode ser utilizado para leves trabalhos de cinzelamento em alvenaria e para trabalhos de acabamento em betão.

- ▶ Para este produto, utilize apenas as baterias de iões de lítio **Hilti** da série B 36.
- ▶ Para estas baterias, utilize apenas os carregadores **Hilti** da série C4/36.



3.3 Indicador da bateria de íões de lítio

O estado da carga da bateria de íões de lítio e as avarias da ferramenta são sinalizados através da indicação da bateria de íões de lítio. O estado de carga da bateria de íões de lítio é exibido depois de pressionado um dos dois botões de destravamento da bateria.

Estado	Significado
4 LED acendem.	Estado de carga: 75% a 100%
3 LED acendem.	Estado de carga: 50% a 75%
2 LED acendem.	Estado de carga: 25% a 50%
1 LED acende.	Estado de carga: 10% a 25%
1 LED pisca.	Estado de carga: < 10%



Com o interruptor on/off pressionado e até 5 segundos depois de o soltar, não é possível consultar o estado de carga. Se os LED da indicação da bateria estiverem a piscar, leia as indicações no capítulo Ajuda em caso de avarias.

3.4 Incluído no fornecimento

Martelo perfurador, punho auxiliar, limitador de profundidade, manual de instruções.

Poderá encontrar outros produtos de sistema aprovados para o seu produto na sua **Hilti Store** ou em: www.hilti.group

4 Características técnicas

4.1 Bateria

Tensão de serviço da bateria	36 V
Temperatura ambiente durante o funcionamento	1 °F ... 140 °F (-17 °C ... 60 °C)
Temperatura de armazenagem	-4 °F ... 104 °F (-20 °C ... 40 °C)
Temperatura da bateria no início do carregamento	14 °F ... 113 °F (-10 °C ... 45 °C)

4.2 Martelo perfurador

	TE 6-A36
Tensão nominal	36 V
Peso	8,2 lb (3,7 kg)
Velocidade nominal de rotação sem carga	1 050 rpm
Energia de impacto	2,5 J
Diâmetro das brocas para furar em betão/alvenaria (perfurar com percussão)	3/16 in ... 1 1/16 in
Diâmetro das brocas para furar em betão/alvenaria (perfurar com percussão)	4 mm ... 28 mm
Diâmetro das brocas para perfurar em madeira (broca de secção completa)	1/8 in ... 3/4 in
Diâmetro das brocas para perfurar em madeira (broca de secção completa)	3 mm ... 20 mm
Diâmetro das brocas para perfurar em metal (broca de secção completa)	1/8 in ... 1/2 in
Diâmetro das brocas para perfurar em metal (broca de secção completa)	3 mm ... 13 mm



5 Utilização

5.1 Preparação do local de trabalho

AVISO

Risco de ferimentos devido a arranque involuntário!

- ▶ Antes de encaixar a bateria, certifique-se de que o produto correspondente está desligado.
- ▶ Remova a bateria, antes de efectuar ajustes na ferramenta ou substituir acessórios.

Tenha em atenção as instruções de segurança e as advertências nesta documentação e no produto.

5.2 Inserir a bateria 2

CUIDADO

Risco de ferimentos! Arranque inadvertido do martelo perfurador.

- ▶ Antes de introduzir a bateria, certifique-se de que o martelo perfurador está desligado e o comutador de rotação para a direita/esquerda está na posição central (dispositivo de bloqueio).

1. Insira a bateria no suporte da ferramenta, até engatar de forma audível.
2. Verifique se a bateria está correctamente encaixada.

5.3 Retirar a bateria 3

1. Pressione os botões de destravamento da bateria.
2. Extraia a bateria para trás.

5.4 Montar o punho auxiliar 4

CUIDADO

Risco de ferimentos! Perda do controlo sobre o produto.

- ▶ Certifique-se de que o punho auxiliar está correctamente montado e devidamente apertado. Certifique-se de que a fita tensora está aplicada na ranhura prevista para o efeito no produto.

1. Rode o punho para soltar a abraçadeira (cinta de aperto) do punho auxiliar.
2. Empurre o limitador de profundidade a partir da frente nos 2 furos de guia previstos para o efeito.
3. Rode o punho para apertar a abraçadeira (cinta de aperto) do punho auxiliar.

5.5 Montar e regular o limitador de profundidade 5

- ▶ Se necessário, monte o limitador de profundidade e ajuste-o.

5.6 Montar/desmontar o porta-ferramentas 3

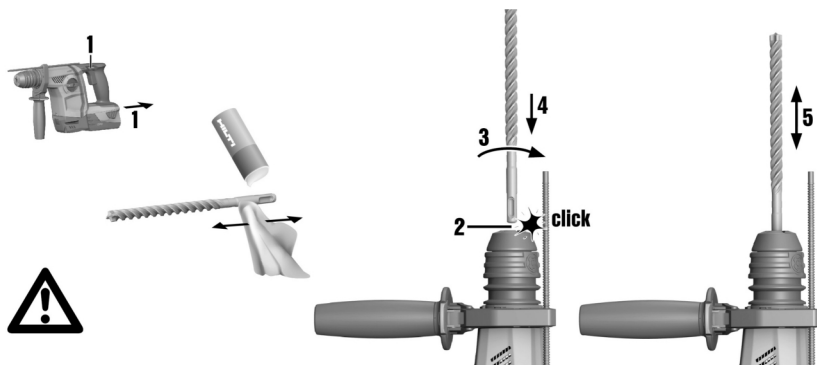
CUIDADO

Risco de ferimentos! Perigo de impedimento do trabalho do utilizador pelo limitador de profundidade montado, mas não utilizado.

- ▶ Retire o limitador de profundidade da ferramenta.
-
- ▶ Monte / desmonte o porta-ferramentas.

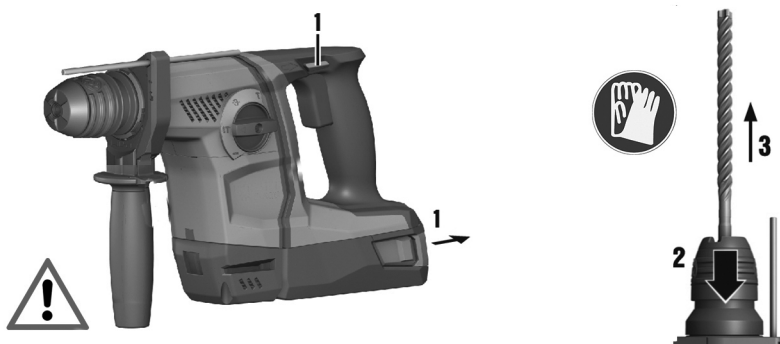


5.7 Colocar o acessório



1. Lubrifique ligeiramente o encabadouro do acessório.
 - ▶ Utilize apenas massa lubrificante original da **Hilti**. Uma massa lubrificante errada poderá originar danos na ferramenta.
2. Encaixe o acessório até ao encosto no porta-ferramentas e deixe-o engatar.
3. Depois de colocada, tente puxar a broca para fora do mandril, verificando assim se está bem fixa.
 - ▶ O produto está operacional.

5.8 Retirar o acessório



- ▶ Puxe o bloqueio da ferramenta para trás, até ao batente, e retire o acessório.

5.9 Trabalhos acima da cabeça

- ▶ Monte o anel colector de pó DCD para trabalhos acima da cabeça.

5.10 Posicionar o cinzel

- ▶ Coloque o selector de funções nesta posição

6 Trabalhar

6.1 Selector de funções


- ▶ Coloque o selector de funções na posição de trabalho pretendida.
 - ▶ O selector de funções não pode ser operado durante o funcionamento. **Perigo de danos!**




6.2 Rotação para a direita / esquerda

- ▶ Ajuste o comutador de rotação para a direita/esquerda conforme o sentido de rotação pretendido.

6.3 Perfurar sem percussão

- ▶ Coloque o selector de funções nesta posição .

6.4 Perfurar com percussão

- ▶ Coloque o selector de funções nesta posição .

6.5 Cinzelar

- ▶ Coloque o selector de funções nesta posição **T**.
 - ▶ Para garantir um arrefecimento ideal do motor, seleccione a rotação para a direita (sentido de rotação para furação).

7 Conservação e manutenção

7.1 Conservação e manutenção



AVISO

Risco de lesão com a bateria encaixada !

- ▶ Retire sempre a bateria antes de todos os trabalhos de conservação e manutenção!

Conservação do produto

- Remova sujidade persistente com cuidado.
- Se existente, limpe as saídas de ar cuidadosamente com uma escova seca e macia.
- Limpe a carcaça apenas com um pano ligeiramente húmido. Não utilize produtos de conservação que contenham silicone, uma vez que estes podem danificar os componentes de plástico.
- Utilize um pano limpo e seco, para limpar os contactos do produto.

Conservação das baterias de iões de lítio

- Nunca utilize uma bateria com as saídas de ar obstruídas. Limpe as saídas de ar cuidadosamente com uma escova seca e macia.
- Evite que a bateria seja exposta desnecessariamente a pó ou sujidade. Nunca exponha a bateria a humidade elevada (por ex., mergulhar em água ou deixar à chuva).
Se uma bateria tiver ficado encharcada, trate-a como uma bateria danificada. Isole-a num recipiente não inflamável e contacte o Centro de Assistência Técnica **Hilti**.
- Mantenha a bateria sem resíduos de óleo e massa consistente externos. Não permita que se acumule desnecessariamente pó ou sujidade sobre a bateria. Limpe a bateria com uma escova seca e macia ou um pano limpo e seco. Não utilize produtos de conservação que contenham silicone, uma vez que estes podem danificar os componentes de plástico.
Não toque nos contactos da bateria nem remova dos contactos a massa consistente aplicada de fábrica.
- Limpe a carcaça apenas com um pano ligeiramente húmido. Não utilize produtos de conservação que contenham silicone, uma vez que estes podem danificar os componentes de plástico.

Manutenção

- Verifique, regularmente, todos os componentes visíveis quanto a danos e os comandos operativos quanto a funcionamento perfeito.
- Não opere o produto se existirem danos e/ou perturbações de funcionamento. Mandar reparar o produto imediatamente no Centro de Assistência Técnica **Hilti**.
- Após os trabalhos de conservação e manutenção, aplique todos os dispositivos de protecção e verifique se funcionam correctamente.



Para um funcionamento seguro, utilize apenas peças sobresselentes e consumíveis originais. Poderá encontrar peças sobresselentes, consumíveis e acessórios aprovados pela **Hilti** para o seu produto na sua **Hilti Store** ou em: **www.hilti.group**



7.2 Limpeza da capa protectora contra pó

- ▶ Limpe periodicamente a capa protectora contra pó no porta-ferramentas com um pano limpo e seco.
- ▶ Limpe o vedante e unte-o com uma leve camada de massa Hilti.
- ▶ Substitua impreterivelmente a capa protectora contra pó se o vedante estiver danificado.

8 Transporte e armazenamento

8.1 Transporte e armazenamento de ferramentas a bateria e baterias

Transporte

CUIDADO

Arranque inadvertido durante o transporte !

- ▶ Transporte os seus produtos sempre sem as baterias colocadas!
- ▶ Retire a/as bateria(s).
- ▶ Nunca transporte as baterias sem embalagem. Durante o transporte, as baterias devem ser protegidas contra impactos e vibrações excessivos e isoladas de quaisquer materiais condutores ou outras baterias, para que não entrem em contacto com os pólos de outras baterias e causem um curto-circuito. **Observe as suas normas de transporte locais para baterias.**
- ▶ As baterias não devem ser enviadas por correio. Quando pretender enviar baterias não danificadas, contacte uma empresa transportadora.
- ▶ Verifique o produto e as baterias quanto a danos antes de cada utilização, bem como antes e depois de longos períodos de transporte.

Armazenamento

AVISO

Dano acidental devido a baterias com defeito ou a perderem líquido !

- ▶ Armazene os seus produtos sempre sem as baterias colocadas!
- ▶ Guarde o produto e as baterias em lugar fresco e seco. Tenha em atenção os valores limite de temperatura, que estão indicados nas Características técnicas.
- ▶ Não guarde as baterias no carregador. Após o processo de carregamento, retire sempre a bateria do carregador.
- ▶ Nunca armazene as baterias em locais sujeitos a exposição solar, em cima de fontes de calor ou por trás de um vidro.
- ▶ Guarde o produto e as baterias fora do alcance das crianças e das pessoas não autorizadas.
- ▶ Verifique o produto e as baterias quanto a danos antes de cada utilização, bem como antes e depois de longos períodos de armazenamento.

9 Ajuda em caso de avarias

No caso de avarias que não sejam mencionadas nesta tabela ou se não conseguir resolvê-las por si mesmo, contacte o nosso Centro de Assistência Técnica **Hilti**.









9.1 O martelo perfurador não está pronto a funcionar

Avaria	Causa possível	Solução
Os LEDs na bateria não indicam nada.	A bateria não está completamente encaixada.	▶ Encaixe a bateria com um duplo clique.
	Bateria descarregada.	▶ Substitua a bateria e carregue a bateria descarregada.
	Bateria demasiado quente ou demasiado fria.	▶ Deixe a bateria arrefecer ou coloque a bateria à temperatura ambiente.
1 LED na bateria pisca.	Bateria descarregada.	▶ Substitua a bateria e carregue a bateria descarregada.
	Bateria demasiado quente ou demasiado fria.	▶ Deixe a bateria arrefecer ou coloque a bateria à temperatura ambiente.



Avaria	Causa possível	Solução
4 LEDs na bateria piscam.	Martelo perfurador temporariamente sobrecarregado.	▶ Solte o interruptor on/off e volte a accioná-lo.

9.2 O martelo perfurador está pronto a funcionar

Avaria	Causa possível	Solução
Não tem percussão.	Martelo perfurador demasiado frio.	▶ Coloque o martelo perfurador sobre o material base e deixe-o trabalhar em vazio. Se necessário, repita, até o mecanismo de percussão trabalhar.
	Selector de funções na posição "Perfurar sem percussão"  .	▶ Coloque o selector de funções na posição "Perfurar com percussão"  .
Não é possível pressionar o interruptor on/off ou ele está bloqueado.	Comutador de rotação para a direita/esquerda na posição central.	▶ Pressione o comutador de rotação direita/esquerda para a direita ou a esquerda.
O fuso da ferramenta não roda.	Foi excedida a temperatura de funcionamento permitida do sistema electrónico do martelo perfurador.	▶ Deixe a ferramenta arrefecer.
	Bateria descarregada.	▶ Substitua a bateria e carregue a bateria descarregada.
	O selector de funções não está engatado ou está na posição "Cinzelar"  ou na posição "Posicionar cinzel"  .	▶ Coloque o selector de funções na posição "Perfurar sem percussão"  ou "Perfurar com percussão"  .
O martelo perfurador desliga-se automaticamente.	A protecção contra sobrecarga reage.	▶ Solte o interruptor on/off. Deixe o martelo perfurador arrefecer. Accione novamente o interruptor on/off. Reduza a carga da ferramenta.
A bateria descarrega-se mais depressa do que habitualmente.	Temperatura ambiente muito baixa.	▶ Deixe a bateria aquecer lentamente até à temperatura ambiente.
A bateria não encaixa com duplo clique audível.	Sujidade nos encaixes da bateria.	▶ Limpe as patilhas de fixação e volte a encaixar a bateria.
O martelo perfurador ou a bateria aquece demasiado.	Avaria eléctrica	▶ Desligue imediatamente o martelo perfurador. Retire a bateria e observe-a. Deixe-a arrefecer. Contacte um Centro de Assistência Técnica Hilti .
	Martelo perfurador sobrecarregado.	▶ Seleccione uma ferramenta mais potente.
O acessório ficou preso no mandril.	O porta-ferramentas não está completamente puxado para trás.	▶ Puxe o bloqueio da ferramenta para trás, até ao batente, e retire a ferramenta.
O acessório não avança.	Martelo perfurador na posição de rotação para a esquerda.	▶ Coloque o comutador de rotação na posição de rotação para a direita.
	Selector de funções na posição "Perfurar sem percussão"  .	▶ Coloque o selector de funções na posição "Perfurar com percussão"  .



10 Acessórios opcionais

10.1 Anel colector de pó DCD

O anel colector de pó DCD é utilizado como acessório para o martelo perfurador **Hilti**. O anel colector de pó retém uma percentagem considerável do pó produzido nos trabalhos acima da cabeça e pode ser fixado de forma rápida e simples no martelo perfurador.

10.2 Módulo de aspiração de pó TE DRS-6-A / TE DRS-6-A OSHA


O módulo de aspiração de pó TE DRS-6-A é utilizado como acessório para o martelo perfurador **Hilti** TE 6-A36. Este retém uma percentagem considerável do pó produzido e pode ser fixado de forma rápida e simples no martelo perfurador. No módulo de aspiração de pó está integrado um exaustor. Este é accionado através de um motor próprio. Ao ligar o martelo perfurador, o módulo retira a sua corrente da bateria do martelo perfurador.

O módulo de aspiração de pó não é adequado para trabalhos em metal e madeira.

Condições: TE DRS-6-A OSHA

O TE DRS-6-A OSHA cumpre a directiva OSHA 1926.1153 Table 1. Está equipado com um mecanismo de limpeza do filtro.

10.2.1 Montar o módulo de aspiração de pó


 Antes de efectuar a montagem, certifique-se de que os pontos de fixação e as interfaces eléctricas no martelo perfurador e no módulo de aspiração de pó estão livres de pó e se movem livremente.

1. Verifique o módulo de aspiração de pó em relação a danos.
2. Verifique a facilidade de movimento do tubo telescópico.
3. Coloque o comutador de rotação para a direita/esquerda do martelo perfurador na posição central.
4. Retire o limitador de profundidade do punho auxiliar.
5. Introduza o módulo de aspiração de pó, pelo lado da frente, na ferramenta, até engatar.
6. Após a montagem, verifique se o módulo de aspiração de pó está correctamente engatado.

10.2.2 Perfurar com o módulo de aspiração de pó

1. Para ligar o módulo de aspiração de pó, pressione o botão de comando do martelo perfurador.
2. Mantenha o botão de comando pressionado até ser alcançada a plena potência de aspiração.
3. Coloque a cabeça de aspiração na vertical sobre o material base.
4. Faça o furo e puxe o produto lentamente para fora do furo, de modo a captar o máximo de pó possível.

10.2.3 Esvaziar a caixa do pó

 Uma caixa do pó cheia ou um filtro obstruído pode dar origem a uma formação em excesso de pó, devendo, por isso, ser regularmente esvaziada.

Esvazie a caixa do pó após 8-10 furos (16 mm x 50 mm) (5/8 pol. x 2 pol.).

Para minimizar a formação de pó, guarde o pó num recipiente fechado.

1. Segure a ferramenta na horizontal e deixe-a trabalhar durante alguns instantes.
 - ▶ Deste modo, os resíduos de pó que se depositaram no módulo de aspiração de pó são aspirados para a caixa do pó.
2. Pressione a tecla de destravamento da caixa do pó e mantenha-a pressionada.
3. Retire a caixa do pó para fora do módulo de aspiração de pó, puxando-a para baixo.
4. Esvazie a caixa do pó.
 - ▶ Filtro está sujo.
 - ▶ Substitua o filtro.
 - ▶ O filtro está livre de sujidades.
5. Introduza a caixa do pó vazia, a partir de baixo, no módulo de aspiração de pó, até esta engatar.



10.2.4 Limpar o filtro TE-DRS-OSHA 16



Limpe o filtro após 5 furos (16 mm x 50 mm) (1/2 pol. x 3 pol.).

- ▶ Quando a potência de aspiração diminuir, pressione o mecanismo de limpeza até ser audível um clique, respectivamente, 5 vezes para a frente e para trás.

10.2.5 Desmontar o módulo de aspiração de pó 12


1. Coloque o comutador de rotação para a direita/esquerda do martelo perfurador na posição central.
2. Pressione o desbloqueio DRS e mantenha-o nessa posição.
3. Retire o módulo de aspiração de pó da ferramenta, puxando-o para a frente.

11 Reciclagem

AVISO

Perigo de ferimentos devido a eliminação incorrecta! Riscos para a saúde devido à fuga de gases ou líquidos.

- ▶ Não envie quaisquer baterias danificadas!
 - ▶ Para evitar curto-circuitos, cubra as conexões com um material não condutor.
 - ▶ Elimine as baterias de modo a mantê-las longe do alcance das crianças.
 - ▶ Efectue a reciclagem da bateria na sua **Hilti Store** ou entre em contacto com a empresa de recolha de lixo responsável.
-

 Os produtos **Hilti** são, em grande parte, fabricados com materiais recicláveis. Um pré-requisito para a reciclagem é que esses materiais sejam devidamente separados. Em muitos países, a **Hilti** aceita o seu aparelho usado para reaproveitamento. Para mais informações, dirija-se ao Serviço de Clientes **Hilti** ou ao seu vendedor.



- ▶ Não deite as ferramentas eléctricas, aparelhos electrónicos e baterias no lixo doméstico!
-

12 Garantia do fabricante

- ▶ Se tiver dúvidas em relação às condições de garantia, contacte o seu parceiro **Hilti** local.



This Product is Certified
Ce produit est homologué
Producto homologado por
Este producto está registrado





Hilti Corporation
LI-9494 Schaan
Tel.:+423 234 21 11
Fax:+423 234 29 65
www.hilti.com



2100248