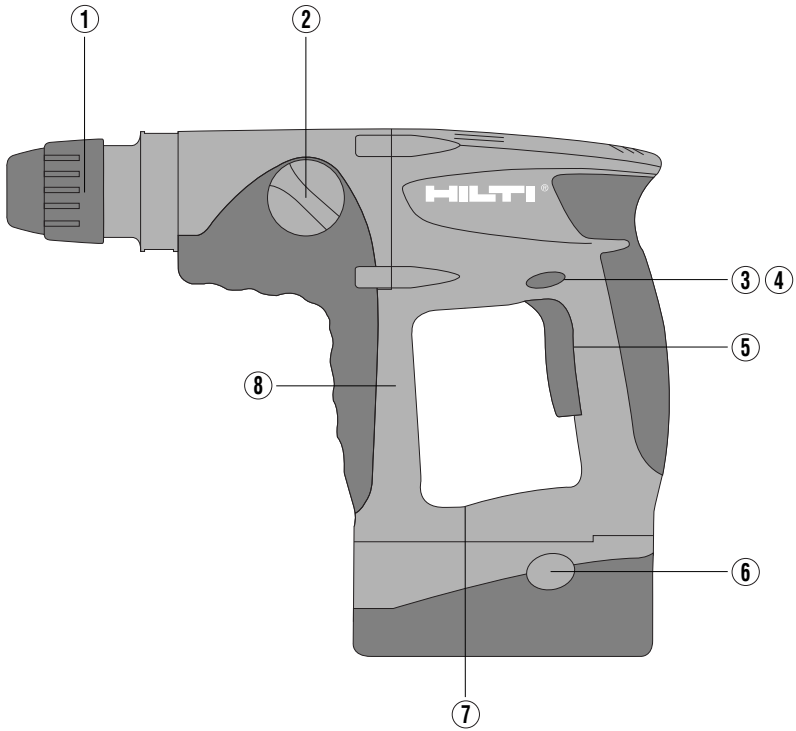
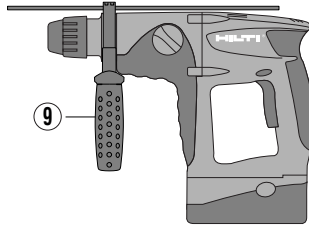
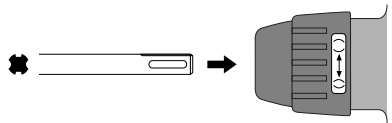
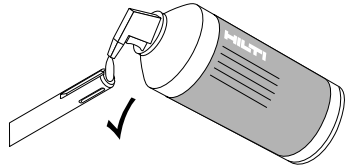
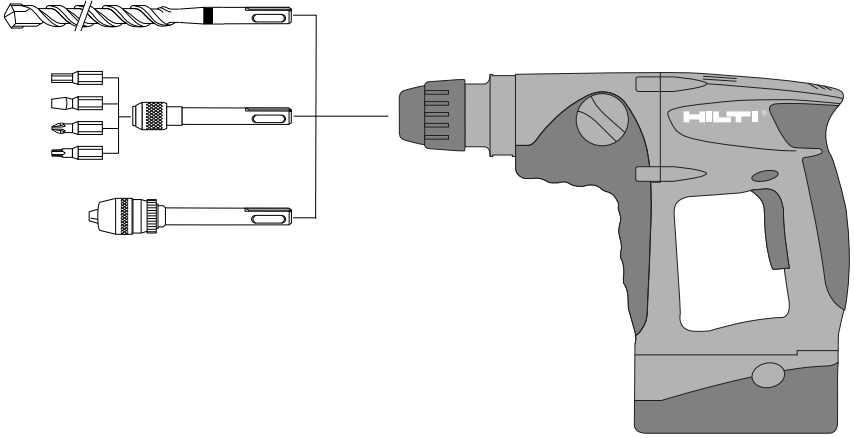
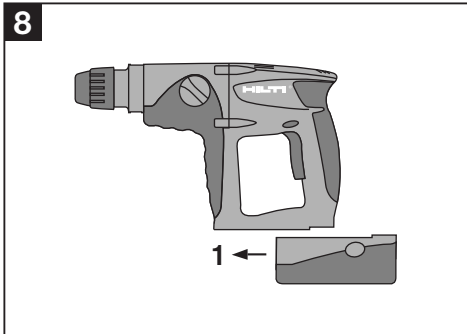
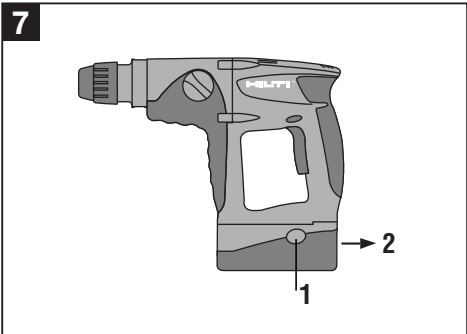
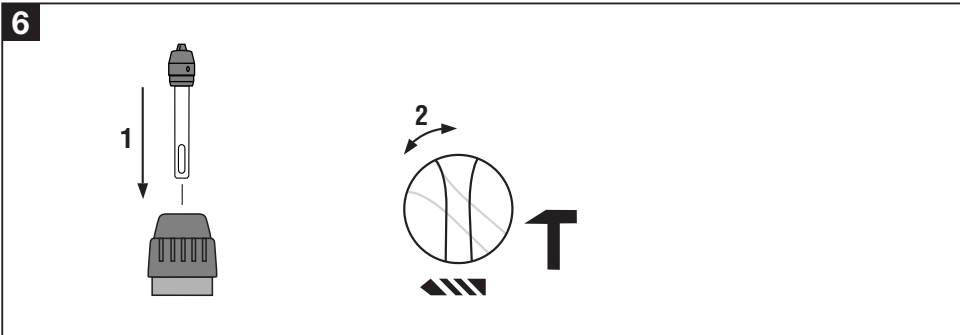
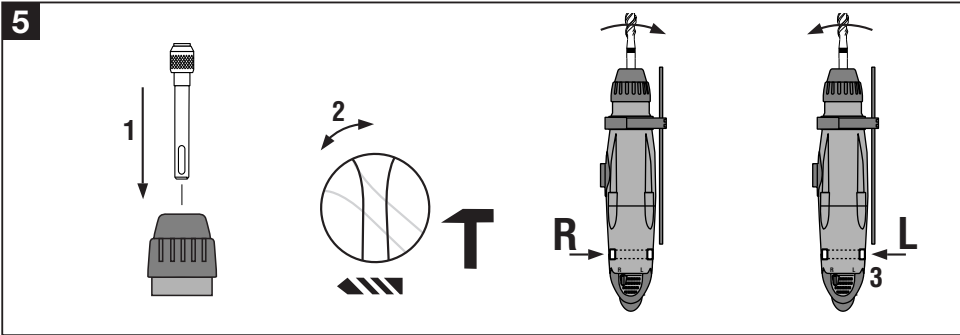
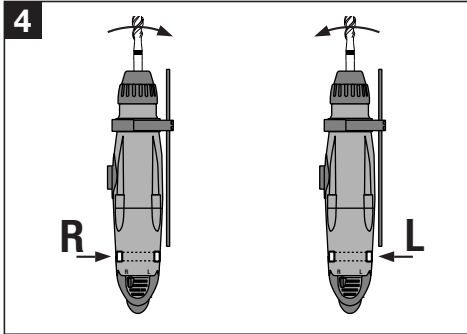
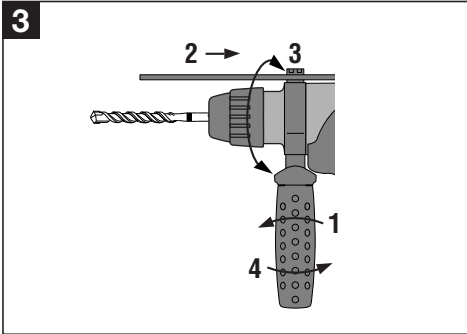


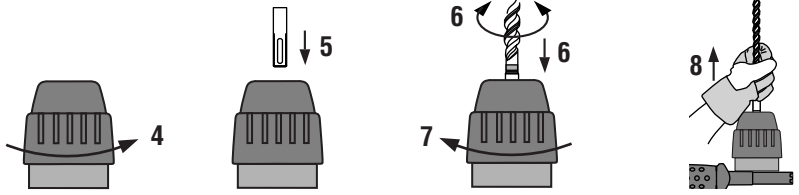
Bedienungsanleitung	de
Operating instructions	en
Mode d'emploi	fr
Istruzioni d'uso	it
Gebruiksaanwijzing	nl
Manual de instruções	pt
Manual de instrucciones	es
Brugsanvisning	da
Käyttöohje	fi
Bruksanvisning	no
Bruksanvisning	sv
Οδηγίες χρήσεως	el
Kasutusjuhend	et
Lietošanas pamācība	lv
Instrukcija	lt
Ръководство за обслужване	bg
Upute za uporabu	hr
Instrukcja obsługi	pl
Инструкция по эксплуатации	ru
Návod na obsluhu	sk
Navodila za uporabo	sl
Návod k obsluze	cs
Használati utasítás	hu
操作說明書	zh
取扱説明書	ja
사용설명서	ko
原版操作说明	cn







9



ORIGINAL OPERATING INSTRUCTIONS

TE 2-A cordless rotary hammer

It is essential that the operating instructions are read before the tool is operated for the first time.

Always keep these operating instructions together with the tool.

Ensure that the operating instructions are with the tool when it is given to other persons.

Operating controls and parts **1**

- ① Chuck
- ② Function selector switch
- ③ Forward / reverse switch
- ④ Motor brake
- ⑤ Control switch (with electronic speed control)
- ⑥ Battery release buttons (2)
- ⑦ Rating plate
- ⑧ Grip
- ⑨ Side handle with depth gauge (option)

Contents	Page
1. General information	11
2. Description	12
3. Tools and accessories	13
4. Technical data	13
5. Safety rules	14
6. Before use	16
7. Operation	17
8. Care and maintenance	18
9. Troubleshooting	19
10. Disposal	19
11. Manufacturer's warranty – tools	20
12. Declaration of conformity (original)	20

1. General information

1.1 Signal words and their meaning

-CAUTION-

Used to draw attention to a potentially dangerous situation which could lead to minor personal injury or damage to the equipment or other property.

-NOTE-

Used to draw attention to an instruction or other useful information. Not used for dangerous situations or where damage to the equipment or property could occur.

1.2 Pictograms

Warning signs



General warning



Warning: electricity



Warning: hot surface



Warning: caustic substances

Obligation signs



Wear eye protection



Wear ear protection



Wear breathing protection



Wear protective gloves

Symbols



Read the operating instructions before use



Return waste material for recycling

- V = volts
--- = direct current
no = no load speed
/min = revolutions per minute
T = hammer drilling
◀ = rotation only

1 These numbers refer to the corresponding illustrations. The illustrations can be found on the fold-out cover pages. Keep these pages open while studying the operating instructions.

In these operating instructions, the TE 2-A cordless rotary hammer with battery fitted is referred to as “the tool”.

en

Location of identification data on the tool

The type designation, item number, year of manufacture and technical status can be found on the rating plate on the tool. The serial number is located on the left side of the motor housing. Make a note of this data in your operating instructions and always refer to it when making an enquiry to your Hilti representative or service department.

Type: _____

Serial no.: _____

2. Description

The TE 2-A is a cordless rotary hammer for professional use. Its ergonomically designed rubber-padded grip reduces fatigue and provides a secure hold.

The items supplied include:

- The electric tool
- B24/2.0 NiCd, B24/2.4 NiCd or B24/3.0 NiMH battery
- C 7/24 or C 7/36-ACS charger
- Operating instructions
- Toolbox or cardboard box

2.1 Use of the tool as directed

The TE 2-A is a hand-held cordless rotary hammer for driving and removing screws, drilling in steel, wood and masonry and hammer drilling in concrete and masonry. It is intended for use on construction sites of all kinds for general construction, interior finishing, conversion and renovation work.

- The tool is designed for continuous use.
- The tool may be used only in a dry environment.
- Do not use the tool where there is a risk of fire or explosion.
- Use only the insert tools and accessories intended for use with this tool.
- The tool may be powered only by the batteries approved for use with this tool.
- The batteries are to be used exclusively to power tools of the Hilti 24 V line.
- Use only the recommended battery charger.



- Modification or manipulation of the tool other than

described in these operating instructions is not permissible.

- To avoid the risk of injury, use only original Hilti accessories and additional equipment.
- Observe the information printed in the operating instructions concerning operation, care and maintenance.
- The tool and its ancillary equipment may present hazards when used incorrectly by untrained personnel or when used not as directed.

2.2 Requirements to be met by users

- The tool is intended for professional use.
- The tool may be operated, serviced and repaired only by authorized, trained personnel. This personnel must be informed of any special hazards that may be encountered.
- Always concentrate on the job you are doing. Proceed carefully and do not use the tool if your full attention is not on the job.

2.3 Important features of the tool

- Vibration-absorbing grip (rubber-padded)
- Smooth speed control
- Gearing and clutch with permanent lubrication (grease)
- Automatic cut-out carbon brushes
- Forward / reverse rotation
- Function selector switch for rotary drilling/hammer drilling

3. Tools and accessories

Side handle and depth gauge	Optional
Grease	Optional
Cleaning cloth	Optional
Charger	C 7/24
Charger	C 7/36-ACS
Charger	TCU 7/36
Battery	B24/2.0 NiCd (depending on country)
Battery	B24/2.4 NiCd (depending on country)
Battery	B24/3.0 NiMH
Toolbox/cardboard box	
Belt adaptor	BAP 24

4. Technical data

Tool	TE 2-A
Rated voltage	24 V ---
Weight as per EPTA-Procedure 01/2003	3.9 kg
Dimensions (LxHxW)	325 x 260 x 92 mm
Speed under no load	980 r.p.m.
Speed	900 r.p.m.
Hammering speed	0 ... 74 Hz (0 ... 4410 blows per min.)
Single impact energy	1.5 joules
Chuck	TE-C
Hammer drilling dia. range in concrete and masonry	4 to 16 mm
Drilling using keyless chuck adaptor for cylindrical drill bits	
- Drilling dia. range in wood	3 to 13 mm
- Drilling dia. range in metal	3 to 10 mm
Screwdriving using bit adaptor	
- Wood screws	Up to 6 mm
- HUD screws	Up to 6 mm
Speed control	Electronic control switch
Forward / reverse	Electrical switch with interlock to prevent activation when running
Gearing section sealed to prevent entry of dust and with permanent lubrication (maintenance-free)	

-NOTE-

The vibration emission level given in this information sheet has been measured in accordance with a standardised test given in EN 60745 and may be used to compare one tool with another. It may be used for a preliminary assessment of exposure. The declared vibration emission level represents the main applications of the tool. However if the tool is used for different applications, with different accessories or poorly maintained, the vibration emission may differ. This may significantly increase the exposure level over the total working period. An estimation of the level of exposure to vibration should also take into account the times when the tool is switched off or when it is running but not actually doing the job. This may significantly reduce the exposure level over the total working period. Identify additional safety measures to protect the operator from the effects of vibration such as: maintain the tool and the accessories, keep the hands warm, organisation of work patterns.

Noise and vibration information (measured in accordance with EN 60745):

Typical A-weighted noise power level:	97 dB (A)
Typical A-weighted noise pressure level:	86 dB (A)

For the given sound power level as per EN 60745, the tolerance is 3 dB.

Wear ear protection!

Triaxial vibration value (vibration vector sum) measured in accordance with EN 60745-2-1	Drilling in metal, ($a_{h,D}$)	2.5 m/s ²
measured in accordance with EN 60745-2-6	Hammer drilling in concrete, ($a_{h,HD}$)	14.5 m/s ²
Uncertainty (K) for triaxial vibration value		1.5 m/s ²

Battery	B24/2.0 NiCd	B24/2.4 NiCd	B24/3.0 NiMH
Rated voltage	24 V ---	24 V ---	24 V ---
Battery capacity	24 V × 2.0 Ah = 48 Wh	24 V × 2.4 Ah = 58 Wh	24 V × 3.0 Ah = 72 Wh
Weight	1.38 kg	1.45 kg	1.43 kg
Temperature monitoring	yes	yes	yes
Type of cell	Nickel-cadmium SUB C type	Nickel-cadmium SUB C type	Nickel-metal hydride SUB C type
No. of cells	20	20	20

Right of technical changes reserved!

5. Safety rules

5.1 General safety rules

-WARNING- Read all instructions! Failure to follow all instructions listed below may result in electric shock, fire and/or serious injury. The term "power tool" in all of the warnings listed below refers to your mains operated (corded) power tool or battery operated (cordless) power tool.

SAVE THESE INSTRUCTIONS

5.1.1 Work area

- Keep the work area clean and well lit.** Cluttered and dark areas invite accidents.
- Do not operate power tools in explosive atmospheres, such as in the presence of flammable liquids, gases or dust.** Power tools create sparks which may ignite the dust or fumes.
- Keep children and bystanders away while operating a power tool.** Distractions can cause you to lose control.

5.1.2 Electrical safety

- Power tool plugs must match the outlet. Never modify the plug in any way. Do not use any adapter plugs with earthed (grounded) power tools.** Unmodified plugs and matching outlets will reduce risk of electric shock.
- Avoid body contact with earthed or grounded surfaces such as pipes, radiators, ranges and refrigerators.** There is an increased risk of electric shock if your body is earthed or grounded.
- Do not expose power tools to rain or wet conditions.** Water entering a power tool will increase the risk of electric shock.
- Do not abuse the cord. Never use the cord for carrying, pulling or unplugging the power tool. Keep cord away from heat, oil, sharp edges or moving parts.** Damaged or entangled cords increase the risk of electric shock.
- When operating a power tool outdoors, use an extension cord approved for outdoor use.** Use of a cord suitable for outdoor use reduces the risk of electric shock.

5.1.3 Personal safety

- Stay alert, watch what you are doing and use common sense when operating a power tool. Do not use a power tool while you are tired or under the influence of drugs, alcohol or medication.** A moment of inattention while operating power tools may result in serious personal injury.
- Use safety equipment. Always wear eye protection.** Safety equipment such as dust mask, non-skid safety shoes, hard hat, or hearing protection used for appropriate conditions will reduce personal injuries.
- Avoid accidental starting. Ensure the switch is in**

the off position before plugging in. Carrying power tools with your finger on the switch or plugging in power tools that have the switch on invites accidents.

- Remove all adjusting key or wrench before turning the power tool on.** A wrench or a key left attached to a rotating part of the power tool may result in personal injury.
- Do not overreach. Keep proper footing and balance at all times.** This enables better control of the power tool in unexpected situations.
- Dress properly. Do not wear loose clothing or jewellery. Keep your hair, clothing and gloves away from moving parts.** Loose clothes, jewellery or long hair can be caught in moving parts.
- If devices are provided for the connection of dust extraction and collection facilities, ensure these are connected and properly used.** Use of these devices can reduce dust related hazards.

5.1.4 Power tool use and care

- Do not force the power tool. Use the correct power tool for your application.** The correct power tool will do the job better and safer at the rate for which it was designed.
- Do not use the power tool if the switch does not turn it on and off.** Any power tool that cannot be controlled with the switch is dangerous and must be repaired.
- Disconnect the plug from the power source and/or the battery pack from the power tool before making any adjustments, changing accessories, or storing power tools.** Such preventive safety measures reduce the risk of starting the power tool accidentally.
- Store idle power tools out of the reach of children and do not allow persons unfamiliar with the power tool or these instructions to operate the power tool.** Power tools are dangerous in the hands of untrained users.
- Maintain power tools. Check for misalignment or binding of moving parts, breakage of parts and any other condition that may affect the power tool's operation. If damaged, have the power tool repaired before use.** Many accidents are caused by poorly maintained power tools.
- Keep cutting tools sharp and clean.** Properly maintained cutting tools with sharp cutting edges are less likely to bind and are easier to control.
- Use the power tool, accessories and tool bits etc., in accordance with these instructions and in the manner intended for the particular type of power tool, taking into account the working conditions and the work to be performed.** Use of the power tool for operations different from those intended could result in a hazardous situation.

5.1.5 Battery tool use and care

- Ensure the switch is in the off position before insert-**

ing battery pack. *Inserting the battery pack into power tools that have the switch on invites accidents.*

- b) **Recharge only with the charger specified by the manufacturer.** *A charger that is suitable for one type of battery pack may create a risk of fire when used with another battery pack.*
- c) **Use power tools only with specifically designated battery packs.** *Use of any other battery packs may create a risk of injury and fire.*
- d) **When battery pack is not in use, keep it away from other metal objects like paper clips, coins, keys, nails, screws, or other small metal objects that can make a connection from one terminal to another.** *Shorting the battery terminals together may cause burns or a fire.*
- e) **Under abusive conditions, liquid may be ejected from the battery; avoid contact. If contact accidentally occurs, flush with water. If liquid contacts eyes, additionally seek medical help.** *Liquid ejected from the battery may cause irritation or burns.*

5.1.6 Service

- a) **Have your power tool serviced by a qualified repair person using only genuine replacement parts.** *This will ensure that the safety of the power tool is maintained.*

5.2 Additional safety precautions

5.2.1 Personal safety

- a) **Wear ear protection.** *Excessive noise may lead to a loss of hearing.*
- b) **Use the auxiliary handle supplied with the tool.** *Loss of control of the tool may lead to injury.*
- c) **Always hold the tool securely with both hands on the grips provided. Keep the grips clean, dry and free from oil and grease.**
- d) **Adjust the side handle to the desired position and check that it is fitted and secured correctly.**
- e) **Avoid contact with rotating parts. Switch the tool on only once it has been brought into the working position close to the workpiece.**
- f) **Avoid unintentional starting. Do not carry the tool with your finger on the on/off switch. The battery should be removed from the tool when the tool is not in use, before work breaks, before maintenance, before changing insert tools and before transport.**
- g) **Operate the tool only as directed and only when it is in faultless condition.**
- h) **Exercise your fingers during pauses between work to improve the blood circulation in your fingers.**
- i) **Check the area behind the wall you are working on before drilling right through and when using long drill bits.**
- j) **Breathing protection must be worn when the tool is used without a dust removal system for work that creates dust.**

k) **Activate the safety lock (forward / reverse switch in the middle position) before storing or transporting the power tool.**

l) **The tool is not intended for use by children, by debilitated persons or those who have received no instruction or training.**

m) **Children must be instructed not to play with the tool.**

n) **Dust from material such as paint containing lead, some wood species, minerals and metal may be harmful. Contact with or inhalation of the dust may cause allergic reactions and/or respiratory diseases to the operator or bystanders. Certain kinds of dust are classified as carcinogenic such as oak and beech dust especially in conjunction with additives for wood conditioning (chromate, wood preservative). Material containing asbestos must only be treated by specialists. Where the use of a dust extraction device is possible it shall be used. To achieve a high level of dust collection, use a suitable vacuum cleaner of the type recommended by Hilti for wood dust and/or mineral dust together with this tool. Ensure that the workplace is well ventilated. The use of a dust mask of filter class P2 is recommended. Follow national requirements for the materials you want to work with.**

5.2.2 Power tool use and care

a) **Secure the workpiece. Use clamps or a vice to hold the workpiece in place.** *The workpiece is thus held more securely than by hand and both hands remain free to operate the tool.*

b) **Ensure that the insert tools used are equipped with the appropriate connection end system and that they are properly fitted and secured in the chuck.**

c) **Hold tool by insulated gripping surfaces when performing an operation where the cutting tool may contact hidden wiring or its own cord.** *Contact with a "live" wire will make exposed metal parts of the tool "live" and shock the operator.*

5.2.3 Electrical safety

a) **Before beginning work, check the working area (e.g. with a metal detector) to ensure that no concealed electric cables or gas and water pipes are present.** *External metal parts of the tool may become live if, for example, an electric cable is damaged inadvertently. This presents a serious risk of electric shock.*

5.2.4 Work area

a) **Ensure that the workplace is well lit.**

b) **Ensure that the workplace is well ventilated.**

Poorly ventilated workplaces may be injurious to the health due to exposure to dust.

5.2.5 Personal protective equipment

The user and any other persons in the vicinity must wear suitable eye protection, ear protection and pro-

protective gloves when the tool is in use. Breathing protection must be worn if no dust removal system is used.



Wear eye protection



Wear ear protection



Wear protective gloves



Wear breathing protection

en

5.2.6 Battery tool use and care

a) **Ensure that the outer surface of the battery is clean and dry before inserting the battery in the appropriate charger for charging.**

b) **Check that the battery is securely attached to the tool.** A falling battery could injure you or other persons.

c) **Batteries that have reached the end of their life must be disposed of safely.**

d) **Do not charge or continue to use damaged batteries (e.g. batteries with cracks, broken parts, bent or pushed-in and/or pulled-out contacts).**

6. Before use



1. It is essential that the safety precautions printed in these operating instructions are read and observed.
2. It is essential that a new battery is charged correctly when charged for the first time before initial use. Incorrect initial charging can lead to a permanent reduction of battery capacity.
 - With the C 7/24 or TCU 7/36 charger: Charge for 24 hours in normal charging mode or for 12 hours in conditioning mode.
 - With the C 7/36-ACS charger: The charger detects automatically whether initial charging or normal charging is necessary.

-NOTE-

- The tool may be used only with B24/2.0 NiCd, B24/2.4 NiCd or B24/3.0 NiMH batteries.
- Battery performance drops at low temperatures.
- Batteries should be stored at room temperature.
- Never store batteries where they are exposed to the heat of the sun, on a radiator, behind a motor vehicle windscreen or at a window.
- Never use the battery until the cells become fully discharged. Change to the second battery as soon as a drop in performance is noticed and recharge the battery immediately so that it is ready for re-use.


6.1 Fitting the side handle (option) 3



-NOTE-

An adjustable side handle (option) may be fitted in addition to the two integrated grips. The side handle permits the tool to be held more securely and thus more comfortably, particularly in the event of inadvertently drilling into a reinforcing bar.

1. Slacken the side handle clamping band by turning the side handle in a counterclockwise direction.
2. Slide the side handle clamping band over the chuck and onto the front section of the tool.
3. Bring the side handle into the desired position.
4. Secure the side handle by turning it in a clockwise direction.

7. Operation

	-CAUTION-
	<ul style="list-style-type: none"> ● Noise is emitted by the tool and the drilling or screwdriving procedure. ● Excessive noise may damage the hearing. ● Wear ear protection.

 	-CAUTION-
	<ul style="list-style-type: none"> ● The drilling or screwdriving procedure may cause the material to splinter. ● Splintering material may cause injury to the body, respiratory passages and the eyes. ● Wear eye and breathing protection.

7.1 Setting forward or reverse rotation 4

The direction of rotation can be selected by operating the forward / reverse push switch (3). An interlock prevents operation of the switch while the motor is running. When in the middle position, the on / off switch is locked.

- Forward rotation: Push the forward / reverse switch to the right (as seen from the direction in which the tool is used).
- Reverse rotation: Push the forward / reverse switch to the left (as seen from the direction in which the tool is used).

7.2 Screwdriving using the bit adaptor 5

1. Insert the bit adaptor with TE-C connection end in the chuck and lock the chuck.
2. Turn the function selector switch to the “drilling” symbol.
3. Set the forward / reverse switch to the desired direction of rotation.

7.3 Hammer drilling

1. Set the forward / reverse switch to forward rotation (3).
2. Turn the function selector switch to the “hammer drilling” symbol (2).

7.4 Drilling using the quick-release chuck 6

1. Insert the quick-release chuck with TE-C connection end in the chuck and lock the chuck.
2. Turn the function selector switch to the “drilling” symbol.

-CAUTION-

A high torque may be transferred to the operator if the tool stalls while drilling with large-diameter drill bits and hole saws. Always hold the tool with both hands on the grips provided.

7.5 Switching on and off

Should a sticking drill bit cause the motor to stall for longer than 2–3 seconds, the tool must be switched off in order to avoid damage to it.

1. Use the forward / reverse switch to select the direction of rotation.
2. The speed of the tool can be controlled smoothly between zero and maximum by pressing the on / off switch slowly.

7.6 Removing the battery (2-finger operation) 7

1. Press in both release buttons.
2. Pull the battery downwards out of the tool.

7.7 Fitting the battery 8

Use only Hilti B24/2.0 NiCd, B24/2.4 NiCd or B24/3.0 NiMH batteries.

1. Push the battery into the tool from below until it is heard to engage.

7.8 Charging the battery





The battery cannot be charged through the belt adaptor.

Use only the Hilti C 7/24, C 7/36-ACS or TCU 7/36 chargers.

Incorrect use may lead to electric shocks, overheating of the battery or leakage of a caustic liquid from the battery.



Read the operating instructions for the charger before beginning charging.

7.9 Changing the insert tool



 	-CAUTION-
	<ul style="list-style-type: none"> ● The cutting edges of the insert tools are sharp. The insert tools may also become hot during use. ● There is a risk of cutting or burning the fingers and hands. ● Wear protective gloves when changing insert tools.

7.9.1 Fitting the insert tool 9

1. Remove the battery from the tool.
2. Check that the connection end of the insert tool is clean and lightly greased. Clean and grease the connection end if necessary.
3. Check that the sealing lip of the dust shield is clean and in good condition. Clean the dust shield if necessary or replace the sealing lip if damaged.

4. Turn the chuck ring to the  symbol.
5. Push the insert tool into the chuck as far as it will go.
6. Rotate the insert tool until it engages.
7. Turn the chuck ring back to the  symbol.
8. Check that the drill bit is engaged by trying to pull it out of the check.

7.9.2 Removing the insert tool

1. Remove the battery from the tool.
2. Turn the chuck ring to the  symbol.
3. Pull the insert tool out of the chuck.
4. Turn the chuck ring back to the  symbol.

en

8. Care and maintenance

8.1 Care of insert tools

Remove any dirt adhering to the surface of the insert tools and protect them from corrosion by rubbing them with an oily cloth from time to time.

8.2 Care of the tool



Before cleaning, remove the battery from the tool in order to prevent inadvertent starting.

-CAUTION-

Keep the power tool, especially its grip surfaces, clean and free from oil and grease. Do not use cleaning agents which contain silicone.

The outer casing of the tool is made from impact-resistant plastic. Sections of the grip are made from a synthetic rubber material. Never operate the tool when the ventilation slots are blocked. Clean the ventilation slots carefully using a dry brush. Do not permit foreign objects to enter the interior of the tool. Clean the outside of the tool at regular intervals with a slightly damp cloth. Do not use a spray, steam pressure cleaning equipment or running water for cleaning. This may negatively affect the electrical safety of the tool.

8.3 Maintenance

Check all external parts of the tool for damage at regular intervals and check that all controls operate faultlessly. Do not operate the tool when parts are damaged or when the controls do not operate faultlessly. If necessary, have the tool repaired at a Hilti service center. Electrical parts of the tool may be repaired only by trained electrical specialists.

8.4 Care of the battery

Keep the electrical contacts free from dust, oil and grease. If necessary, use a clean cloth to clean the contact surfaces.

Do not continue to operate the tool until the battery is completely discharged as this may damage the battery cells. Recharge the battery as soon as a drop in performance is noticed.

At monthly intervals or, at the latest, when battery capacity drops significantly, the battery should be conditioned as follows:

- With the C 7/24 or TCU 7/36 charger: Charge for 24 hours in normal charging mode or for 12 hours in conditioning mode.
- With the C 7/36-ACS charger: The charger detects automatically whether initial charging or normal charging is necessary.

If, after conditioning, battery capacity is still unsatisfactory, we recommend returning the battery to Hilti for diagnosis.

8.5 Checking the tool after care and maintenance

After carrying out care and maintenance work on the tool, check that all protective and safety devices are fitted and that they function faultlessly.

9. Troubleshooting

Fault	Possible cause	Remedy
Tool doesn't run	Battery is discharged or not correctly fitted	Refit the battery. It must be heard to engage with an audible "click". Charge the battery if necessary.
	Electrical fault	Remove the battery and contact your nearest Hilti service center.
No hammering action	Function selector switch set to the wrong mode	Set the function selector switch to hammer drilling mode.
On / off switch cannot be pressed	Forward / reverse switch is set to middle position	Move the forward / reverse switch to the left/right.
Speed suddenly drops	The battery is almost exhausted.	Stop working with the exhausted battery and charge it fully.
Battery becomes discharged faster than usual	Battery condition is not optimal.	Charge the battery using conditioning mode (see battery charger operating instructions).
Battery does not engage with an audible "click"	Dirt on battery locking mechanism	Clean battery locking mechanism and refit the battery. Contact your nearest Hilti service center if the problem persists.
Tool or battery overheats	Electrical fault.	Switch off the tool immediately. Remove the battery and contact your nearest Hilti service center.
	Overload due to exceeding application limit	Select the right tool for the application.

en

10. Disposal



Return waste material for recycling.

Most of the materials from which Hilti power tools are manufactured can be recycled. The materials must be correctly separated before they can be recycled. In many countries, Hilti has already made arrangements for taking back your old electric tools for recycling. Please ask your Hilti customer service department or Hilti sales representative for further information.

Dispose of the battery in accordance with national regulations or return used batteries to Hilti for recycling.



Only for EU countries

Disposal of electric tools together with household waste is not permissible!

In observance of European Directive on waste electrical and electronic equipment and its implementation in accordance with national law, electric tools that have reached the end of their life must be collected separately and returned to an environmentally compatible recycling facility.

11. Manufacturer's warranty – tools

Hilti warrants that the tool supplied is free of defects in material and workmanship. This warranty is valid so long as the tool is operated and handled correctly, cleaned and serviced properly and in accordance with the Hilti Operating Instructions, and the technical system is maintained. This means that only original Hilti consumables, components and spare parts may be used in the tool.

This warranty provides the free-of-charge repair or replacement of defective parts only over the entire lifespan of the tool. Parts requiring repair or replacement as a result of normal wear and tear are not covered by this warranty.

Additional claims are excluded, unless stringent national rules prohibit such exclusion. In particular,

Hilti is not obligated for direct, indirect, incidental or consequential damages, losses or expenses in connection with, or by reason of, the use of, or inability to use the tool for any purpose. Implied warranties of merchantability or fitness for a particular purpose are specifically excluded.

For repair or replacement, send tool or related parts immediately upon discovery of the defect to the address of the local Hilti marketing organization provided.

This constitutes Hilti's entire obligation with regard to warranty and supersedes all prior or contemporaneous comments and oral or written agreements concerning warranties.

en

12. EC declaration of conformity (original)

Designation:	Cordless rotary hammer
Type:	TE 2-A
Year of design:	2003

We declare, under our sole responsibility, that this product complies with the following directives and standards: 2004/108/EC, 2006/66/EC, EN 60745-1, EN 60745-2-6, 2006/42/EC, EN ISO 12100, 2011/65/EU, 2004/108/EC.

**Hilti Corporation, Feldkircherstrasse 100,
FL-9494 Schaan**



Paolo Luccini
Head of BA
Quality and Process Management
Business Area
Electric Tools & Accessories
01/2012

Jan Doongaji
Executive Vice President
BU Power Tools & Demolition

01/2012

Technical documentation filed at:
Hilti Entwicklungsgesellschaft mbH
Zulassung Elektrowerkzeuge
Hiltistrasse 6
86916 Kaufering
Deutschland



Hilti Corporation

LI-9494 Schaan

Tel.: +423 / 234 21 11

Fax: +423 / 234 29 65

www.hilti.com

Hilti = registered trademark of Hilti Corp., Schaan

W 2842 | 0113 | 10-Pos. 1 | 1

Printed in China © 2013

Right of technical and programme changes reserved S. E. & O.

304444 / A3

