

HILTI

TE 60 / TE 60-ATC

Operating instructions

en

Mode d'emploi

fr

Manual de instrucciones

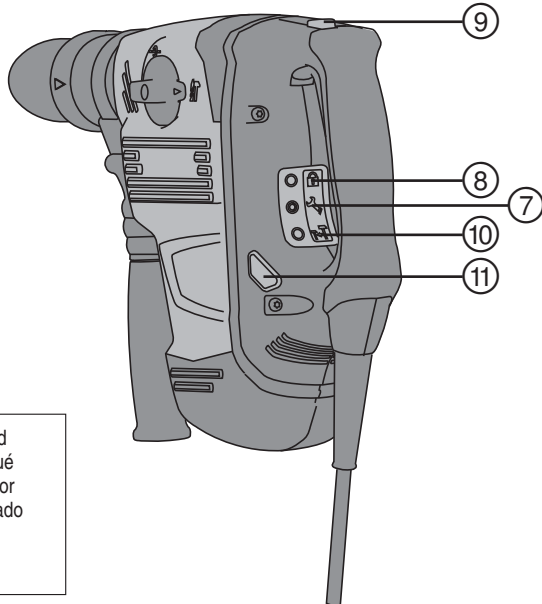
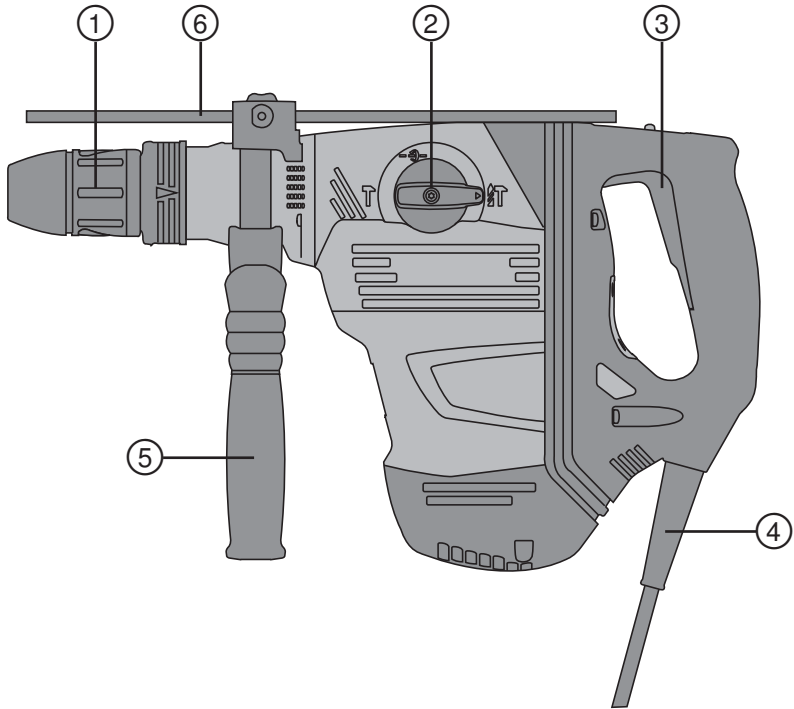
es

Manual de instruções

pt

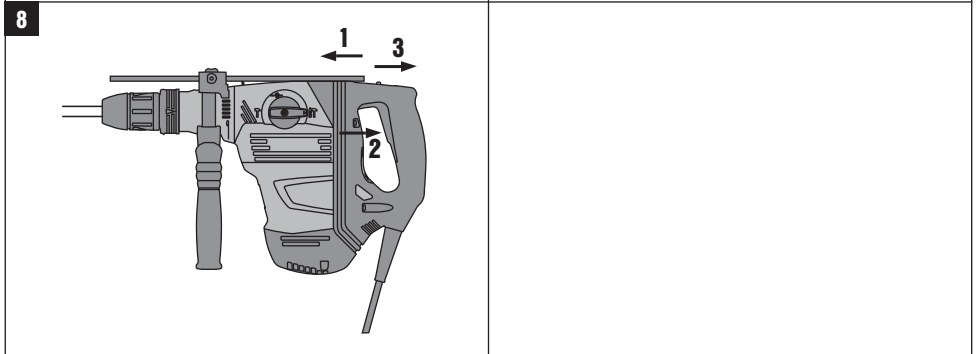
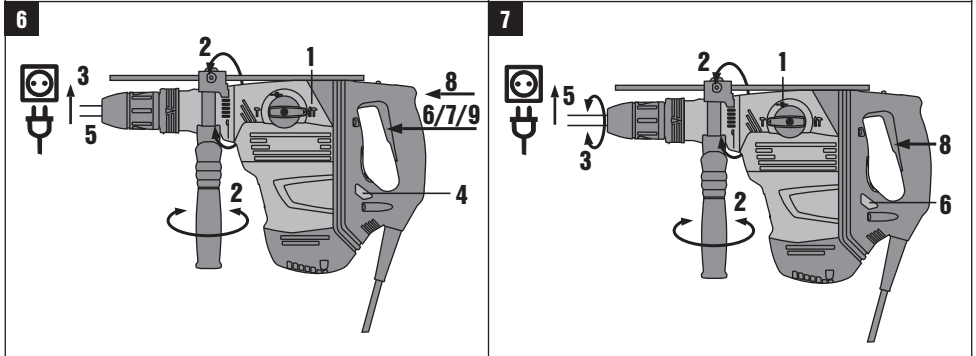
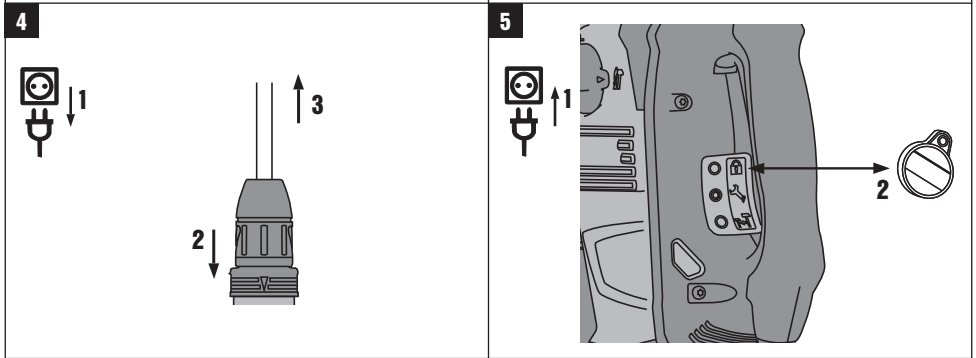
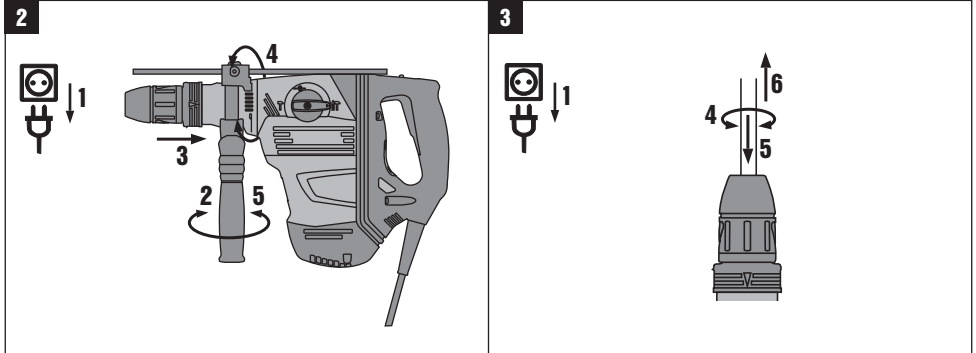


1



This Product is Certified
Ce produit est homologué
Producto homologado por
Este producto está registrado





ORIGINAL OPERATING INSTRUCTIONS

TE 60 / TE 60-ATC combihammer

It is essential that the operating instructions are read before the power tool is operated for the first time.

Always keep these operating instructions together with the power tool.

Ensure that the operating instructions are with the power tool when it is given to other persons.

Contents	Page
1 General information	1
2 Description	2
3 Insert tools, accessories, consumables	4
4 Technical data	5
5 Safety instructions	5
6 Before use	7
7 Operation	8
8 Care and maintenance	10
9 Troubleshooting	11
10 Disposal	12
11 Manufacturer's warranty - tools	12

1 These numbers refer to the corresponding illustrations. The illustrations can be found on the fold-out cover pages. Keep these pages open while studying the operating instructions.

In these operating instructions, the designation "the power tool" always refers to the TE 60 / TE 60-ATC combihammer.

Parts, operating controls and indicators **1**

- ① Chuck
- ② Function selector switch
- ③ Control switch
- ④ Supply cord
- ⑤ Side handle
- ⑥ Depth gauge (optional)
- ⑦ Service indicator
- ⑧ Theft protection indicator (optional)
- ⑨ Control switch lock
- ⑩ Reduced (50%) power indicator (optional)
- ⑪ Button for reduced (50%) power (optional)

en

1 General information

1.1 Safety notices and their meaning

DANGER

Draws attention to imminent danger that will lead to serious bodily injury or fatality.

WARNING

Draws attention to a potentially dangerous situation that could lead to serious personal injury or fatality.

CAUTION

Draws attention to a potentially dangerous situation that could lead to slight personal injury or damage to the equipment or other property.

NOTE

Draws attention to an instruction or other useful information.

1.2 Explanation of the pictograms and other information

Warning signs



General warning



Warning: electricity



Warning: hot surface

Obligation signs



Wear eye protection



Wear a hard hat



Wear ear protection



Wear protective gloves



Wear breathing protection

Symbols



Read the operating instructions before use



Return waste material for recycling.



Hammer drilling



Chiseling



Chisel position adjustment



Volts



Amps



Alternating current

Hz

Hertz

n_0

Rated speed under no load

/min

Revolutions per minute

RPM

Revolutions per minute



Diameter



Double insulated



Equipped with theft protection system



Lock symbol

Location of identification data on the power tool

The type designation can be found on the type identification plate and the serial number on the side of the motor housing. Make a note of this data in your operating instructions and always refer to it when making an enquiry to your Hilti representative or service department.

Type:

Generation: 03

Serial no.:

2 Description

2.1 Use of the product as directed

The power tool is an electrically-powered combihammer with pneumatic hammering mechanism. The ATC (Active Torque Control) feature incorporated in the TE 60-ATC provides greater working comfort for the user when drilling. The tool is designed for drilling in concrete, masonry, metal and wood and can also be used for chiseling.

The power tool is equipped with electronic overload protection. If the power tool is overloaded for a continuous period, motor speed will be reduced automatically and, if necessary, the motor may be stopped completely. When the control switch is released and then pressed again, the motor immediately regains full power. When restarting, care should thus be taken to ensure that the power tool is held securely with both hands.

Under certain conditions, the power tool is suitable for use for mixing (see "Tools, accessories" and "Operation").

The power tool is designed for professional use and may be operated, serviced and maintained only by trained, authorized personnel. This personnel must be informed of any special hazards that may be encountered. The power tool and its ancillary equipment may present hazards when used incorrectly by untrained personnel or when used not as directed.

Working on materials hazardous to the health (e.g. asbestos) is not permissible.

The working environment may be as follows: construction site, workshop, renovation, conversion or new construction.

The power tool may be used only in a dry environment.

Take the influences of the surrounding area into account. Do not use the power tool or appliance where there is a risk of fire or explosion.

The power tool may be operated only when connected to a power supply providing a voltage and frequency in compliance with the information given on its type identification plate.

Observe the information printed in the operating instructions concerning operation, care and maintenance.

To avoid the risk of injury, use only genuine Hilti accessories and insert tools.

Modification of the power tool or tampering with its parts is not permissible.

2.2 Chuck

TE-Y (SDS max) quick-change “click” chuck (TE 60 / TE 60-ATC)

2.3 Switches

Speed-control switch for smooth hole-starting / chiseling
 Function selector switch: Hammer drilling, chiseling, chisel adjustment (24 positions)
 Power selector switch for full or reduced (50%) power (ATC)
 Control switch lockable for chiseling

2.4 Grips

Vibration-absorbing, pivotable side handle
 Vibration-absorbing grip (ATC)

2.5 Protective devices

Mechanical safety clutch
 Electronic restart interlock to prevent the power tool starting unintentionally after an interruption in the electric supply (see section “Troubleshooting”).
 ATC Active Torque Control (TE 60-ATC)

2.6 Lubrication

Gearing and hammering mechanism with separate lubrication chambers

2.7 Active Vibration Reduction (ATC)

The power tool is equipped with an AVR Active Vibration Reduction system which reduces vibration significantly compared to power tools without AVR.

2.8 TPS theft protection system (ATC)

The power tool may be equipped with the TPS Theft Protection System as an option. If the power tool is equipped with this feature, it can be unlocked and made ready for operation only through use of the corresponding TPS key.

2.9 LED indicators

Service indicator LED (see section “Care and maintenance / service indicator”)
 Theft protection system indicator (ATC) (see section “Operation / TPS theft protection system (optional)”)
 Reduced (50%) power indicator (see section “Operation / hammer drilling / chiseling”)

2.10 Items supplied as standard

- 1 Power tool with side handle
- 1 Grease
- 1 Cleaning cloth
- 1 Operating instructions
- 1 Hilti toolbox

2.11 Using extension cords

Use only extension cords of a type approved for the application and with conductors of adequate cross section. The power tool may otherwise lose performance and the extension cord may overheat. Check the extension cord for damage at regular intervals. Replace damaged extension cords.

Recommended minimum conductor cross section and max. cable lengths

Conductor cross section	14 AWG	12 AWG
Mains voltage 110-120 V	50 ft	100 ft

Do not use extension cords with 16 AWG conductor cross section.

2.12 Using extension cords outdoors

When working outdoors, use only extension cords that are approved and correspondingly marked for this application.

2.13 Using a generator or transformer

This power tool may be powered by a generator or transformer when the following conditions are fulfilled: The unit must provide a power output in watts of at least twice the value printed on the type identification plate on the power tool. The operating voltage must remain within +5% and -15% of the rated voltage at all times, frequency must be in the 50 – 60 Hz range and never above 65 Hz, and the unit must be equipped with automatic voltage regulation and starting boost.

Never operate other power tools or appliances from the generator or transformer at the same time. Switching other power tools or appliances on and off may cause undervoltage and / or overvoltage peaks, resulting in damage to the power tool.

3 Insert tools, accessories, consumables

Designation	Short designation	Description
Hammer drill bits	TE 60 / TE 60-ATC	∅ 12...40 mm (1/2"...1 9/16")
Breach bits	TE 60 / TE 60-ATC	∅ 40...80 mm (1 9/16" ... 3 1/8")
Percussion core bits	TE 60 / TE 60-ATC	∅ 45...100 mm (1 3/4"...4")
PCM diamond core bits	TE 60-ATC	∅ 42...102 mm (1 1/2"...4")
Chisels	TE 60 / TE 60-ATC	Pointed, flat and shaped chisels with TE-Y connection end
Wood drill bits		∅ 10...32 mm (3/8" ... 1 1/4")
Metal drill bits		∅ Max. 20 mm (13/16")

Designation	Short designation	Item number, description
Side handle, complete		
Depth gauge, complete		2021281
Anchor-setting tools	TE 60 / TE 60-ATC	Setting tools with TE-Y connection end
Chuck adapter	TE FY-BA-C	Adapter
TPS Theft Protection System with Company Card, Company Remote and TPS-K key		206999, optional
Quick-release chuck		For wood and metal drill bits with smooth or hex. shank
Mixing paddles for non-flammable materials, with smooth or hex. shank		∅ 80...120 mm (3"...4 3/4")
Dust removal system	TE DRS-B, TE DRS-S, TE DRS-BK	

The TE 60 (3) is suitable for setting HDA undercut anchors when used with the specified setting tool

Size	Electrogalvanized	HDA-P, HDA-T, electrogalvanized	HDA-PF, HDA-TF, sherardized	HDA-PR, HDA-TR, stainless steel	Setting tool
M 10	x	x	x	x	TE-Y-HDA-ST 20 M10
M 12	x	x	x	x	TE-Y-HDA-ST 22 M10

4 Technical data

Right of technical changes reserved.

NOTE

The power tool is available in various voltage ratings. Please refer to the type identification plate for details of the power tool's voltage and power rating.

Power tool	TE 60 / TE 60-ATC
Rated voltage	120 V
Rated current input	12.8 A
Mains frequency	60 Hz
Weight, TE 60	6.4 kg (14.11 lb)
Weight, TE 60-ATC	7.5 kg (16.53 lb)
Dimensions (L x W x H), TE 60	480 mm (18.9") x 115 mm (4.53") x 274 mm (10.79")
Dimensions (L x W x H), TE 60-ATC	490 mm (19.29") x 115 mm (4.53") x 293 mm (11.54")
Hammer drilling speed	350/min
Single impact energy (full power)	7.3 J
Single impact energy (half power) TE 60-ATC	3.6 J

Other information about the power tool

Chuck (TE 60 / TE 60-ATC)	TE-Y
Protection class	Protection class II (double insulated) or protection class I (see rating plate)

5 Safety instructions

NOTE

The safety rules in section 5.1 contain all general safety rules for power tools which, in accordance with the applicable standards, must be listed in the operating instructions. Accordingly, some of the rules listed may not be relevant to this tool.

5.1 General Power Tool Safety Warnings

a)  **WARNING**

Read all safety warnings and instructions. Failure to follow the warnings and instructions may result in electric shock, fire and/or serious injury. **Save all warnings and instructions for future reference.** The term "power tool" in the warnings refers to your mains-operated (corded) power tool or battery-operated (cordless) power tool.

5.1.1 Work area safety

- Keep work area clean and well lit.** Cluttered or dark areas invite accidents.
- Do not operate power tools in explosive atmospheres, such as in the presence of flammable liquids, gases or dust.** Power tools create sparks which may ignite the dust or fumes.
- Keep children and bystanders away while operating a power tool.** Distractions can cause you to lose control.

5.1.2 Electrical safety

- Power tool plugs must match the outlet. Never modify the plug in any way. Do not use any adapter plugs with earthed (grounded) power tools.** Unmodified plugs and matching outlets will reduce risk of electric shock.
- Avoid body contact with earthed or grounded surfaces such as pipes, radiators, ranges and refrigerators.** There is an increased risk of electric shock if your body is earthed or grounded.
- Do not expose power tools to rain or wet conditions.** Water entering a power tool will increase the risk of electric shock.
- Do not abuse the cord. Never use the cord for carrying, pulling or unplugging the power tool. Keep cord away from heat, oil, sharp edges or moving parts.** Damaged or entangled cords increase the risk of electric shock.
- When operating a power tool outdoors, use an extension cord suitable for outdoor use.** Use of a cord suitable for outdoor use reduces the risk of electric shock.
- If operating a power tool in a damp location is unavoidable, use a residual current device (RCD) protected supply.** Use of an RCD reduces the risk of electric shock.

5.1.3 Personal safety

- a) **Stay alert, watch what you are doing and use common sense when operating a power tool. Do not use a power tool while you are tired or under the influence of drugs, alcohol or medication.** A moment of inattention while operating power tools may result in serious personal injury.
- b) **Use personal protective equipment. Always wear eye protection.** Protective equipment such as dust mask, non-skid safety shoes, hard hat, or hearing protection used for appropriate conditions will reduce personal injuries.
- c) **Prevent unintentional starting. Ensure the switch is in the off-position before connecting to power source and/or battery pack, picking up or carrying the tool.** Carrying power tools with your finger on the switch or energising power tools that have the switch on invites accidents.
- d) **Remove any adjusting key or wrench before turning the power tool on.** A wrench or a key left attached to a rotating part of the power tool may result in personal injury.
- e) **Do not overreach. Keep proper footing and balance at all times.** This enables better control of the power tool in unexpected situations.
- f) **Dress properly. Do not wear loose clothing or jewellery. Keep your hair, clothing and gloves away from moving parts.** Loose clothes, jewellery or long hair can be caught in moving parts.
- g) **If devices are provided for the connection of dust extraction and collection facilities, ensure these are connected and properly used.** Use of dust collection can reduce dust-related hazards.

5.1.4 Power tool use and care

- a) **Do not force the power tool. Use the correct power tool for your application.** The correct power tool will do the job better and safer at the rate for which it was designed.
- b) **Do not use the power tool if the switch does not turn it on and off.** Any power tool that cannot be controlled with the switch is dangerous and must be repaired.
- c) **Disconnect the plug from the power source and/or the battery pack from the power tool before making any adjustments, changing accessories, or storing power tools.** Such preventive safety measures reduce the risk of starting the power tool accidentally.
- d) **Store idle power tools out of the reach of children and do not allow persons unfamiliar with the power tool or these instructions to operate the power tool.** Power tools are dangerous in the hands of untrained users.
- e) **Maintain power tools. Check for misalignment or binding of moving parts, breakage of parts and any other condition that may affect the power tool's operation. If damaged, have the power tool repaired before use.** Many accidents are caused by poorly maintained power tools.

- f) **Keep cutting tools sharp and clean.** Properly maintained cutting tools with sharp cutting edges are less likely to bind and are easier to control.
- g) **Use the power tool, accessories and tool bits etc. in accordance with these instructions taking into account the working conditions and the work to be performed.** Use of the power tool for operations different from those intended could result in a hazardous situation.

5.1.5 Service

- a) **Have your power tool serviced by a qualified repair person using only identical replacement parts.** This will ensure that the safety of the power tool is maintained.

5.2 Hammer safety warnings

- a) **Wear ear protectors.** Exposure to noise can cause hearing loss.
- b) **Use auxiliary handles, if supplied with the tool.** Loss of control can cause personal injury.
- c) **Hold power tool by insulated gripping surfaces, when performing an operation where the cutting accessory may contact hidden wiring or its own cord.** Cutting accessory contacting a "live" wire may make exposed metal parts of the power tool "live" and could give the operator an electric shock.

5.3 Additional safety instructions

5.3.1 Personal safety

- a) **Always hold the power tool securely with both hands on the grips provided. Keep the grips dry, clean and free from oil and grease.**
- b) **Breathing protection must be worn if the power tool is used without a dust removal system for work that creates dust.**
- c) **Improve the blood circulation in your fingers by relaxing your hands and exercising your fingers during breaks between working.**
- d) **Avoid touching rotating parts. Switch the power tool on only after bringing it into position at the workpiece.** Touching rotating parts, especially rotating insert tools, may lead to injury.
- e) **Always lead the supply cord and extension cord away from the power tool to the rear while working.** This helps to avoid tripping over the cord while working.
- f) **When using the power tool for mixing, set the function selector switch to "Hammer drilling" and wear protective gloves.**
- g) **Children must be instructed not to play with the power tool.**
- h) **The power tool is not intended for use by children, by debilitated persons or those who have received no instruction or training.**
- i) **WARNING: Some dust created by grinding, sanding, cutting and drilling contains chemicals known to cause cancer, birth defects, infertility or other**

reproductive harm; or serious and permanent respiratory or other injury. Some examples of these chemicals are: lead from lead-based paints, crystalline silica from bricks, concrete and other masonry products and natural stone, arsenic and chromium from chemically-treated lumber. Your risk from these exposures varies, depending on how often you do this type of work. **To reduce exposure to these chemicals, the operator and bystanders should work in a well-ventilated area, work with approved safety equipment, such as respiratory protection appropriate for the type of dust generated, and designed to filter out microscopic particles and direct dust away from the face and body. Avoid prolonged contact with dust. Wear protective clothing and wash exposed areas with soap and water.** Allowing dust to get into your mouth, eyes, or to remain on your skin may promote absorption of harmful chemicals.

5.3.2 Power tool use and care

- a) **Secure the workpiece. Use clamps or a vice to secure the workpiece.** The workpiece is thus held more securely than by hand and both hands remain free to operate the power tool.
- b) **Check that the insert tools used are compatible with the chuck system and that they are secured in the chuck correctly.**

5.3.3 Electrical safety



- a) **Before beginning work, check the working area (e.g. using a metal detector) to ensure that no concealed electric cables or gas and water pipes are present.** External metal parts of the power tool may become live, for example, when an electric cable is damaged accidentally. This presents a serious risk of electric shock.
- b) **Check the power tool's supply cord at regular intervals and have it replaced by a qualified specialist if found to be damaged. If the power tool's supply cord is damaged it must be replaced with a specially-prepared supply cord available from**

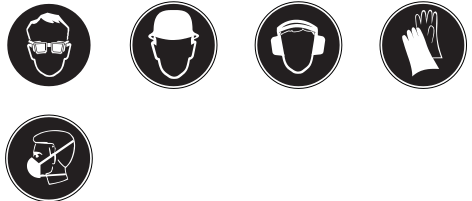
Hilti Customer Service. Check extension cords at regular intervals and replace them if found to be damaged. Do not touch the supply cord or extension cord if it is damaged while working. Disconnect the supply cord plug from the power outlet. Damaged supply cords or extension cords present a risk of electric shock.

- c) **Dirty or dusty power tools which have been used frequently for work on conductive materials should be checked at regular intervals at a Hilti Service Center.** Under unfavorable circumstances, dampness or dust adhering to the surface of the power tool, especially dust from conductive materials, may present a risk of electric shock.
- d) **When working outdoors with an electric tool check to ensure that the tool is connected to the electric supply by way of a ground fault circuit interrupter (GFCI) with a rating of max. 30 mA (tripping current).** Use of a ground fault circuit interrupter reduces the risk of electric shock.
- e) **Use of a ground fault circuit interrupter (GFCI) with a maximum tripping current of 30 mA is recommended.**

5.3.4 Work area

- a) **Ensure that the workplace is well ventilated.** Exposure to dust at a poorly ventilated workplace may result in damage to the health.
- b) **If the work involves breaking right through, take the appropriate safety measures at the opposite side.** Parts breaking away could fall out and / or fall down and injure other persons.

5.3.5 Personal protective equipment



The user and any other persons in the vicinity must wear ANSI Z87.1-approved eye protection, a hard hat, ear protection, protective gloves and breathing protection while the machine is in use.

6 Before use



6.1 Fitting and adjusting the side handle 2

- 1. Disconnect the supply cord plug from the power outlet.

- 2. Release the side handle clamping band by turning the handle counterclockwise.
- 3. Slide the side handle clamping band over the chuck and onto the cylindrical section at the front end of the power tool.
- 4. Pivot the side handle into the desired position.

- CAUTION** Check that the clamping band is engaged in the groove provided on the power tool. Secure the side handle by turning the grip clockwise.

6.2 Fitting the depth gauge (optional)

- Release the side handle clamping band by turning the handle counterclockwise.
- Push the depth gauge into the two guide holes in the side handle clamp.

- Tighten the side handle securely by turning the grip section. This also clamps the depth gauge in position.

6.3 Unlocking the power tool

Please refer to the section "Operation / TPS theft protection system (ATC)".

6.4 Use of extension cords and generators or transformers

See section "Description / use of extension cords".

7 Operation



CAUTION

In accordance with the applications for which it is designed, the power tool produces a high torque. **Always use the side handle and hold the power tool with both hands.** The user must be prepared for sudden sticking and stalling of the insert tool.

CAUTION

Always check to ensure that the selector switch is set to the correct function.

CAUTION

Use clamps or a vice to hold the workpiece securely.

CAUTION

Check the insert tool for damage or uneven wear each time before use.

7.1 Preparing for use

CAUTION

Wear protective gloves when changing insert tools as the insert tools get hot during use.

7.1.1 Adjusting the depth gauge

- Release the screw at the depth gauge.
- Adjust the depth gauge to the desired drilling depth.
- Tighten the screw at the depth gauge firmly.

7.1.2 Fitting the insert tool

- Disconnect the supply cord plug from the power outlet.
- Check that the connection end of the insert tool is clean and lightly greased. Clean it and grease it if necessary.
- Check that the sealing lip of the dust shield is clean and in good condition. Clean the dust shield if necessary or have it replaced if the sealing lip is damaged.

- Push the insert tool into the chuck and rotate it while applying slight pressure until it engages in the guide grooves.
- Push the insert tool further into the chuck until it is heard to engage.
- Check that the insert tool has engaged correctly by pulling it.

7.1.3 Removing the insert tool

- Disconnect the supply cord plug from the power outlet.
- Open the chuck by pulling back the insert tool locking sleeve.
- Pull the insert tool out of the chuck.

7.2 Operation



CAUTION

Working on the material may cause it to splinter. **Wear eye protection and protective gloves. Wear breathing protection if no dust removal system is used.** Splintering material presents a risk of injury to the eyes and body.

CAUTION

The work generates noise. **Wear ear protectors.** Exposure to noise can cause hearing loss.

CAUTION

Improve the blood circulation in your fingers by relaxing your hands and exercising your fingers during breaks between working.

7.2.1 TPS theft protection system (ATC)

NOTE

The ATC version of the tool can be equipped with the optional theft protection system. If the power tool is equipped with this feature, it can be unlocked and made

ready for operation only through use of the corresponding TPS key.

7.2.1.1 Unlocking the power tool 5

1. Plug the supply cord into the power outlet. The yellow theft protection indicator LED blinks. The power tool is now ready to receive the signal from the TPS key.
2. Hold the TPS key against the lock symbol. The power tool is unlocked as soon as the yellow theft protection indicator LED no longer lights.
NOTE If, for example, the electric supply is briefly interrupted due to a power failure or disconnected when moving to a different workplace, the power tool remains ready for operation for approx. 20 minutes. In the event of a longer interruption, the TPS key must be used again to unlock the power tool.

7.2.1.2 Activation of the theft protection system for the power tool

NOTE

Further detailed information on activation and use of the theft protection system can be found in the operating instructions for the theft protection system.

7.2.2 Hammer drilling 6

NOTE

Working at low temperatures: The hammering mechanism works only when the power tool has reached a minimum operating temperature. Bring the tip of the drill bit or chisel into contact with the workpiece and allow the power tool to run under no load until it reaches the minimum operating temperature. If necessary, repeat this procedure until the hammering mechanism begins to operate.

1. Turn the function selector switch until it engages in the "Hammer drilling" position. Do not operate the function selector switch while the motor is running.
2. Bring the side handle into the desired position and check that it is fitted correctly and secured.
3. Plug the supply cord into the power outlet.
4. Set the desired drilling power (optional).
NOTE After connecting the supply cord to the electric supply, the power tool is always set to full drilling power.
NOTE To set the power tool to reduced (50%) drilling power, press the reduced-power button. The drilling power LED then lights. To reselect full drilling power, press the reduced-power button again.
5. Position the power tool and drill bit at the point where the hole is to be drilled.
6. Press the control switch slowly (drill at a low speed until the drill bit centers itself in the hole).
7. Press the control switch fully to continue working at full power.
8. Do not apply excessive pressure. This will not increase the power tool's hammering performance. Lower pressure extends the life of the insert tool.
9. Reduce drilling speed shortly before breaking through in order to avoid spalling.

7.2.3 Active Torque Control (TE 60-ATC)

In addition to the mechanical slip clutch, the tool is also equipped with ATC (Active Torque Control). This system offers additional comfort while drilling as it causes rapid shutdown upon sudden rotation of the power tool about the drill bit axis, e.g. when the drill bit sticks due to hitting a rebar or when the drill bit is tilted unintentionally. When the torque control system has become activated, the power tool can be restarted by releasing the control switch and re-engaging it after the motor has stopped rotating (a "click" indicates that the power tool is again ready for operation). Always choose a working position in which the electric tool is free to rotate in a counterclockwise direction (as seen by the operator). If this rotation is not possible, the ATC system will be unable to react.

7.2.4 Chiseling 7

NOTE

The chisel can be adjusted to 24 different positions (in 15° increments). This ensures that flat chisels and shaped chisels can always be set to the optimum working position.

CAUTION

Do not operate the power tool when the selector switch is set to "Chisel adjustment".

1. To adjust the position of the chisel, turn the function selector switch until it engages in the "Chisel adjustment" position.
2. Bring the side handle into the desired position and check that it is fitted correctly and secured.
3. Rotate the chisel to the desired position.
4. To lock the chisel in the desired position, turn the function selector switch until it engages in the "Chiseling" position. Do not operate the function selector switch while the motor is running.
5. To begin chiseling, plug the power tool's supply cord into the power outlet.
6. Set the desired chiseling power (ATC).
NOTE After connecting the supply cord to the electric supply, the power tool is always set to full chiseling power.
NOTE To set the power tool to reduced (50%) chiseling power, press the reduced-power button. The chiseling power LED then lights. To reselect full chiseling power, press the reduced-power button again.
7. Position the tip of the chisel at the point where chiseling is to begin.
8. Press the control switch fully.

7.2.5 Drilling without hammering

Drilling without hammering is possible when drill bits with a special connection end are used. Drill bits of this kind are available from Hilti. For example, when the keyless quick-release chuck is fitted, smooth-shank drill bits for wood or steel can be used to drill without hammering. The function selector switch must be set to the "Hammer drilling" position when the power tool is used in this way.

7.2.6 Control switch lock

When chiseling, the control switch can be locked in the “on” position.

1. Push the control switch lock above the grip forward.
2. Press the control switch fully.
The power tool then operates in sustained mode.
3. To cancel sustained operating mode, slide the control switch lock to the rear.
The power tool then switches off.

7.2.7 Mixing

1. Turn the function selector switch until it engages in the “Hammer drilling” position.

2. Insert the quick-release chuck in the power tool's chuck.
3. Insert the mixing paddle.
4. Check that the insert tool has engaged correctly by pulling it.
5. Bring the side handle into the desired position and check that it is fitted correctly and secured.
6. Plug the supply cord into the power outlet.
7. Position the mixing paddle in the container holding the substance to be mixed.
8. To begin mixing, press the control switch slowly.
9. Press the control switch fully to continue working at full power.
10. Guide the mixing paddle carefully in order to avoid splashing and spillage.

8 Care and maintenance

CAUTION

Disconnect the mains plug from the power outlet.

8.1 Care of core bits and metal parts

Remove any dirt adhering to the surface of the core bits, the chuck and drive spindle and protect their surfaces from corrosion by rubbing them with an oily cloth from time to time.

8.2 Care of the power tool

CAUTION

Keep the power tool, especially its grip surfaces, clean and free from oil and grease. Do not use cleaning agents which contain silicone.

The outer casing of the power tool is made from impact-resistant plastic. Sections of the grip are made from a synthetic rubber material.

Never operate the power tool when the ventilation slots are blocked. Clean the ventilation slots carefully using a dry brush. Do not permit foreign objects to enter the interior of the power tool. Clean the outside of the power tool at regular intervals with a slightly damp cloth. Do not use a spray, steam pressure cleaning equipment or running water for cleaning. This may negatively affect the electrical safety of the power tool.

8.3 Service indicator

NOTE

The power tool is equipped with a service indicator.

Indicator	Constant red light	End of service interval - servicing is due. After the lamp lights for the first time, the power tool may continue to be used for several hours before the automatic cut-out is activated. To ensure that the power tool is always ready for use, it should be returned to Hilti for servicing in good time.
	Blinking red light	See section “Troubleshooting”.

8.4 Maintenance

WARNING

Repairs to the electrical section of the power tool may be carried out only by trained electrical specialists.

Check all external parts of the power tool for damage at regular intervals and check that all controls operate faultlessly. Do not operate the power tool if parts are

damaged or when the controls do not function faultlessly. If necessary, the power tool should be repaired by Hilti Service.

8.5 Checking the power tool after care and maintenance

After carrying out care and maintenance work on the power tool, check that all protective and safety devices are fitted and that they function faultlessly.

9 Troubleshooting

Fault	Possible cause	Remedy
The power tool doesn't start.	Interruption in the electric supply.	Plug in another electric appliance and check whether it works.
	The supply cord or plug is defective.	Have it checked by a trained electrical specialist and replaced if necessary.
	Generator with sleep mode.	Apply a load to the generator by connecting another appliance (e.g. a lamp). Subsequently switch the power tool off and on again.
	Other electrical fault.	Have it checked by a trained electrical specialist.
	The electronic restart interlock is activated after an interruption in the electric supply.	Switch the power tool off and on again.
	The control switch is defective.	Have it checked by a trained electrical specialist and replaced if necessary.
No hammering action.	The power tool is too cold.	Allow the power tool to warm up to the minimum operating temperature. See section: 7.2.2 Hammer drilling 6
The power tool doesn't start and the LED blinks red.	A fault has occurred in the power tool.	If necessary, the power tool should be repaired by Hilti Service.
The power tool doesn't start and the LED lights red.	The carbon brushes are worn.	Have it checked by a trained electrical specialist and replaced if necessary.
The power tool doesn't start and the indicator lamp blinks yellow.	The power tool has not been unlocked (applies to tools with the theft protection system (ATC)).	Use the TPS key to unlock the power tool.
The power tool doesn't achieve full power.	The extension cord is too long or its gauge is inadequate.	Use an extension cord of an approved length and / or of adequate gauge.
	The control switch is not pressed fully.	Press the control switch as far as it will go.
	The "Reduced power" button is active (ATC).	Press the "Reduced power" button.
	The voltage provided by the electric supply is too low.	Connect the power tool to a different power source.
The drill bit doesn't rotate.	The function selector switch is not engaged or is in the "Chiseling" or "Chisel adjustment" position.	Move the function selector switch to the "Hammer drilling" position when the motor has stopped.
The drill bit / chisel can't be released from the chuck.	The chuck is not pulled back fully.	Pull the chuck back as far as it will go and remove the insert tool.
	The side handle is not fitted correctly.	Release the side handle and refit it correctly so that the clamping band and side handle engage in the groove.

en

10 Disposal



en

Most of the materials from which Hilti power tools or appliances are manufactured can be recycled. The materials must be correctly separated before they can be recycled. In many countries, Hilti has already made arrangements for taking back your old power tools or appliances for recycling. Please ask your Hilti customer service department or Hilti representative for further information.

11 Manufacturer's warranty - tools

Hilti warrants that the tool supplied is free of defects in material and workmanship. This warranty is valid so long as the tool is operated and handled correctly, cleaned and serviced properly and in accordance with the Hilti Operating Instructions, and the technical system is maintained. This means that only original Hilti consumables, components and spare parts may be used in the tool.

This warranty provides the free-of-charge repair or replacement of defective parts only over the entire lifespan of the tool. Parts requiring repair or replacement as a result of normal wear and tear are not covered by this warranty.

Additional claims are excluded, unless stringent national rules prohibit such exclusion. In particular, Hilti is not obligated for direct, indirect, incidental or consequential damages, losses or expenses in connection with, or by reason of, the use of, or inability to use the tool for any purpose. Implied warranties of merchantability or fitness for a particular purpose are specifically excluded.

For repair or replacement, send the tool or related parts immediately upon discovery of the defect to the address of the local Hilti marketing organization provided.

This constitutes Hilti's entire obligation with regard to warranty and supersedes all prior or contemporaneous comments and oral or written agreements concerning warranties.

TE 60 / TE 60-ATC Marteau combiné

Avant de mettre l'appareil en marche, lire impérativement son mode d'emploi et bien respecter les consignes.

Le présent mode d'emploi doit toujours accompagner l'appareil.

Ne pas prêter ou céder l'appareil à un autre utilisateur sans lui fournir le mode d'emploi.

Sommaire	Page
1 Consignes générales	13
2 Description	14
3 Outils, accessoires, consommables	16
4 Caractéristiques techniques	17
5 Consignes de sécurité	17
6 Mise en service	20
7 Utilisation	21
8 Nettoyage et entretien	23
9 Guide de dépannage	24
10 Recyclage	25
11 Garantie constructeur des appareils	25

❑ Les chiffres renvoient aux illustrations respectives. Les illustrations qui se rapportent au texte se trouvent sur les pages rabattables. Pour lire le mode d'emploi, rabattre ces pages de manière à voir les illustrations.

Dans le présent mode d'emploi, « l'appareil » désigne toujours le marteau combiné TE 60 / TE 60-ATC.

Pièces constitutives de l'appareil, éléments de commande et d'affichage ❶

- ❶ Porte-outil
- ❷ Sélecteur de fonctions
- ❸ Variateur électronique de vitesse
- ❹ Câble d'alimentation réseau
- ❺ Poignée latérale
- ❻ Butée de profondeur (en option)
- ❼ Indicateur de maintenance
- ❽ Indicateur de protection contre le vol (en option)
- ❾ Dispositif de blocage de l'interrupteur de commande
- ❿ Affichage de demi-puissance (en option)
- ⓫ Touche de demi-puissance (en option)

1 Consignes générales

1.1 Termes signalant un danger et leur signification

DANGER

Pour un danger imminent qui peut entraîner de graves blessures corporelles ou la mort.

AVERTISSEMENT

Pour attirer l'attention sur une situation pouvant présenter des dangers susceptibles d'entraîner des blessures corporelles graves ou la mort.

ATTENTION

Pour attirer l'attention sur une situation pouvant présenter des dangers susceptibles d'entraîner des blessures corporelles légères ou des dégâts matériels.

REMARQUE

Pour des conseils d'utilisation et autres informations utiles.

1.2 Explication des pictogrammes et autres symboles d'avertissement

Symboles d'avertissement



Avertissement danger général



Avertissement tension électrique dangereuse



Avertissement surfaces chaudes

Symboles d'obligation



Porter des lunettes de protection



Porter un casque de protection



Porter un casque antibruit



Porter des gants de protection



Porter un masque respiratoire léger

Symboles



Lire le mode d'emploi avant d'utiliser l'appareil



Recycler les déchets



Perçage avec percussion



Burinage



Positionnement du burin



Volt



Ampère



Courant alternatif

Hz

Hertz

n_0

Vitesse nominale à vide

/min

Tours par minute

RPM

Tours par minute



Diamètre



Double isolation



Remarque concernant la protection contre le vol



Symbole de cadenas

Emplacement des détails d'identification sur l'appareil

La désignation du modèle figure sur la plaque signalétique et le numéro de série sur le côté du carter moteur. Inscrire ces renseignements dans le mode d'emploi et toujours s'y référer pour communiquer avec notre représentant ou agence Hilti.

Type :

Génération : 03

N° de série :

2 Description

2.1 Utilisation conforme à l'usage prévu

L'appareil est un marteau combiné électrique équipé d'un mécanisme de frappe électropneumatique. La fonction ATC de TE 60-ATC (Active Torque Control, correcteur de couple actif) offre à l'utilisateur un confort supplémentaire lors du perçage.

L'appareil est destiné aux travaux de perçage dans le béton, la maçonnerie, le métal et le bois, et peut également être utilisé pour les travaux de burinage.

L'appareil est équipé d'une protection électronique contre les surcharges. En cas de surcharge permanente de l'appareil, la vitesse du moteur est automatiquement réduite et le moteur est même stoppé si nécessaire. Si le variateur électronique de vitesse est relâché puis à nouveau enfoncé, le moteur retrouve immédiatement toute sa puissance. C'est la raison pour laquelle, en cas de redémarrage, il faut veiller à tenir fermement l'appareil avec les deux mains.

L'appareil peut, dans certaines conditions, être utilisé pour mélanger (voir Outils, accessoires et utilisation).

L'appareil est destiné aux utilisateurs professionnels et ne doit être utilisé, entretenu et réparé que par un personnel agréé, formé à cet effet. Ce personnel doit être au courant des dangers inhérents à l'utilisation de l'appareil. L'appareil et ses accessoires peuvent s'avérer dangereux s'ils sont utilisés de manière incorrecte par un personnel non qualifié ou de manière non conforme à l'usage prévu.

Ne pas travailler sur des matériaux susceptibles de nuire à la santé (par ex. amiante).

L'environnement de travail peut être : chantiers, ateliers, sites de rénovation, sites de constructions nouvelles ou de constructions en cours de réaménagement.

L'appareil doit uniquement être utilisé dans un environnement sec.

Prêter attention aux influences de l'environnement de l'espace de travail. Ne pas utiliser l'appareil dans des endroits présentant un danger d'incendie ou d'explosion.

L'appareil ne doit fonctionner qu'avec la tension réseau et la fréquence réseau indiquées sur la plaque signalétique. Bien respecter les consignes concernant l'utilisation, le nettoyage et l'entretien de l'appareil qui figurent dans le présent mode d'emploi.

Pour éviter tout risque de blessure, utiliser uniquement les accessoires et outils Hilti d'origine.

Toute manipulation ou modification de l'appareil est interdite.

2.2 Porte-outil

Porte-outil à changement rapide, à encliqueter TE-Y (SDS max.) TE 60 / TE 60-ATC

2.3 Interrupteur

Variateur électronique de vitesse réglable pour un perçage/burinage en douceur

Sélecteur de fonction : perçage avec percussion, fonction de burinage, fonction de réglage du burin (24 réglages)

Sélection pleine ou demi-puissance (ATC)

Variateur électronique de vitesse verrouillable en mode burinage

2.4 Poignées

Poignée latérale orientable anti-vibration

Poignée anti-vibration (ATC)

2.5 Équipements de protection

Accouplement à glissement mécanique

Dispositif de verrouillage anti-redémarrage électronique contre les démarrages intempestifs de l'appareil après une coupure de courant (voir chapitre "Guide de dépannage").

ATC "Active Torque Control" (TE 60-ATC)

2.6 Lubrification

Réducteur et mécanisme de frappe avec réservoirs à lubrifiant séparés

2.7 Réduction active des vibrations (ATC)

L'appareil est équipé d'un système de réduction active des vibrations (AVR "Active Vibration Reduction") qui réduit significativement les vibrations par rapport à la valeur sans AVR.

2.8 Protection contre le vol TPS (ATC)

L'appareil peut, en option, être équipé de la fonction "Protection contre le vol TPS". Si l'appareil est équipé de cette fonction, il peut uniquement être débloqué et activé à l'aide de la clé de déblocage fournie.

2.9 Affichage avec témoin lumineux

Indicateur de maintenance avec témoin lumineux (voir chapitre "Nettoyage et entretien/ Indicateur de maintenance")

Affichage de protection contre le vol (ATC) (voir chapitre "Utilisation/ Protection contre le vol TPS (en option)")

Indicateur de demi-puissance (voir chapitre "Utilisation/ Perçage avec percussion/Burinage ")

2.10 La livraison de l'équipement standard comprend

- 1 Appareil avec poignée latérale
- 1 Graisse
- 1 Chiffon
- 1 Mode d'emploi
- 1 Coffret Hilti

2.11 Utilisation de câbles de rallonge

Utiliser uniquement des câbles de rallonge homologués pour le champ d'action correspondant et de section suffisante afin d'éviter toute perte de puissance de l'appareil et toute surchauffe du câble. Contrôler régulièrement si le câble de rallonge n'est pas endommagé. Remplacer les câbles de rallonge endommagés.

Sections minimales recommandées et longueurs de câble maximales

Section du conducteur	14 AWG	12 AWG
Tension du secteur 110-120 V	50 ft	100 ft

Ne pas utiliser de câble de rallonge d'une section de conducteur de 16 AWG.

2.12 Câble de rallonge à l'extérieur

À l'extérieur, n'utiliser que des câbles de rallonge homologués avec le marquage correspondant.

2.13 Utilisation d'un générateur ou d'un transformateur

Cet appareil peut être alimenté par un générateur ou un transformateur (non fourni), si les conditions suivantes sont respectées : une puissance d'alimentation en watts au moins égale au double de la puissance indiquée sur la plaque signalétique de l'appareil, la tension de service doit être toujours comprise entre +5 % et -15 % par rapport à la tension nominale, la fréquence doit être comprise entre 50 et 60 Hz sans jamais dépasser 65 Hz, et enfin, un régulateur de tension automatique avec système d'amplification au démarrage doit être présent.

Ne jamais faire fonctionner d'autres appareils simultanément sur le générateur / transformateur. La mise en marche ou à l'arrêt d'autres appareils peut entraîner des pointes de sous-tension et / ou de surtension pouvant endommager l'appareil.

3 Outils, accessoires, consommables

Désignation	Symbole	Description
Mèche de forage	TE 60 / TE 60-ATC	∅ 12...40 mm (1/2"...1 9/16")
Mèche de percée	TE 60 / TE 60-ATC	∅ 40...80 mm (1 1/16"...3 1/8")
Mèche couronne	TE 60 / TE 60-ATC	∅ 45...100 mm (1 3/4"...4")
Couronne diamant PCM	TE 60-ATC	∅ 42...102 mm (1 1/2"...4")
Burin	TE 60 / TE 60-ATC	burin pointu, plat ou profilé avec emmanchement TE-Y
Mèche à bois		∅ 10...32 mm (3/8"...1 1/4")
Mèche à métaux		∅ Max. 20 mm (13/16")

Désignation	Symbole	Code article, Description
Poignée latérale complète		
Butée de profondeur complète		2021281
Outils de pose	TE 60 / TE 60-ATC	Outils de pose avec emmanchement TE-Y
Adaptateur de mandrin	TE FY-BA-C	Adaptateur
Protection contre le vol TPS (Theft Protection System) avec Company Card, Company Remote et clé de déblocage TPS-K		206999, En option
Mandrin auto-serrant		pour les mèches à bois et à métal avec queue cylindrique ou à 6 pans
Agitateur pour matières ininflammables avec queue cylindrique ou à six pans		∅ 80...120 mm (3"...4 3/4")
Dispositif d'aspiration de poussière	TE DRS-B, TE DRS-S, TE DRS-BK	

Le TE 60 (3) sert à planter des chevilles de haute sécurité HDA lors de l'utilisation de l'outil de pose préconisé

Dimensions	électrozinguée	HDA-P, HDA-T, électrozinguée	HDA-PF, HDA-TF, sherardisée	HDA-PR, HDA-TR, inoxydable	Outil de pose
M 10	x	x	x	x	TE-Y-HDA-ST 20 M10
M 12	x	x	x	x	TE-Y-HDA-ST 22 M12

fr

4 Caractéristiques techniques

Sous réserve de modifications techniques !

REMARQUE

L'appareil est disponible pour plusieurs tensions de référence différentes. La tension et la puissance absorbée de référence de l'appareil figurent sur la plaque signalétique.

Appareil	TE 60 / TE 60-ATC
Tension de référence	120 V
Courant nominal	12,8 A
Fréquence réseau	60 Hz
Poids TE 60	6,4 kg (14,11 lb)
Poids TE 60-ATC	7,5 kg (16,53 lb)
Dimensions (L x l x H) TE 60	480 mm (18,9 ") x 115 mm (4,53 ") x 274 mm (10,79 ")
Dimensions (L x l x H) TE 60-ATC	490 mm (19,29 ") x 115 mm (4,53 ") x 293 mm (11,54 ")
Vitesse de rotation lors du perçage avec percussion	350/min
Énergie libérée par coup (pleine puissance)	7,3 J
Énergie libérée par coup (mi-puissance) TE 60-ATC	3,6 J

Informations concernant les appareils et les applications

Porte-outil TE 60 / TE 60-ATC	TE-Y
Classe de protection	Classe de protection II (double isolation) ou classe de protection I (voir la plaque signalétique)

5 Consignes de sécurité

REMARQUE

Les indications de sécurité du chapitre 5.1 contiennent toutes les indications générales de sécurité pour les appareils électriques qui, selon les normes applicables, doivent être spécifiées dans le présent mode d'emploi. Par conséquent, il est possible que certaines indications ne se rapportent pas à cet appareil.

5.1 Indications générales de sécurité pour les appareils électriques

a) AVERTISSEMENT

Lire et comprendre toutes les consignes de sécurité et instructions. Le non-respect des consignes de sécurité et instructions indiquées ci-après peut entraîner un choc électrique, un incendie et / ou de

graves blessures sur les personnes. **Les consignes de sécurité et instructions doivent être intégralement conservées pour les utilisations futures.** La notion d'« outil électroportatif » mentionnée dans les consignes de sécurité se rapporte à des outils électriques raccordés au secteur (avec câble de raccordement) et à des outils électriques à batterie (sans câble de raccordement).

5.1.1 Sécurité sur le lieu de travail

- Maintenez l'endroit de travail propre et bien éclairé.** Un lieu de travail en désordre ou mal éclairé augmente le risque d'accidents.
- N'utilisez pas l'outil électroportatif dans un environnement présentant des risques d'explosion et où se trouvent des liquides, des gaz ou pous-**

sières inflammables. Les outils électroportatifs génèrent des étincelles risquant d'enflammer les poussières ou les vapeurs.

- c) **Tenez les enfants et autres personnes éloignés durant l'utilisation de l'outil électroportatif.** En cas d'inattention vous risquez de perdre le contrôle de l'appareil.

5.1.2 Sécurité relative au système électrique

- a) **La fiche de secteur de l'outil électroportatif doit être appropriée à la prise de courant. Ne modifiez en aucun cas la fiche. N'utilisez pas de fiches d'adaptateur avec des outils électroportatifs avec mise à la terre.** Les fiches non modifiées et les prises de courant appropriées réduisent le risque de choc électrique.
- b) **Éviter le contact physique avec des surfaces mises à la terre tels que tuyaux, radiateurs, cuisinières et réfrigérateurs.** Il y a un risque élevé de choc électrique au cas où votre corps serait relié à la terre.
- c) **N'exposez pas les outils électroportatifs à la pluie ou à l'humidité.** La pénétration d'eau dans un outil électroportatif augmente le risque d'un choc électrique.
- d) **N'utilisez pas le câble à d'autres fins que celles prévues, n'utilisez pas le câble pour porter l'outil électroportatif ou pour l'accrocher ou encore pour le débrancher de la prise de courant. Maintenez le câble éloigné des sources de chaleur, des parties grasses, des bords tranchants ou des parties de l'appareil en rotation.** Un câble endommagé ou torsadé augmente le risque d'un choc électrique.
- e) **Au cas où vous utiliseriez l'outil électroportatif à l'extérieur, utilisez uniquement une rallonge homologuée pour les applications extérieures.** L'utilisation d'une rallonge électrique homologuée pour les applications extérieures réduit le risque d'un choc électrique.
- f) **Si l'utilisation de l'outil électroportatif dans un environnement humide ne peut pas être évitée, un interrupteur de protection contre les courants de court-circuit doit être utilisé.** L'utilisation d'un tel interrupteur de protection réduit le risque d'une décharge électrique.

5.1.3 Sécurité des personnes

- a) **Restez vigilant, surveillez ce que vous faites. Faites preuve de bon sens en utilisant l'outil électroportatif. N'utilisez pas l'outil électroportatif lorsque vous êtes fatigué ou après avoir consommé de l'alcool, des drogues ou avoir pris des médicaments.** Un moment d'inattention lors de l'utilisation de l'outil électroportatif peut entraîner de graves blessures sur les personnes.
- b) **Portez des équipements de protection. Portez toujours des lunettes de protection.** Le fait de porter des équipements de protection personnels tels que masque anti-poussière, chaussures de sécurité antidérapantes, casque de protection ou protection acoustique suivant le travail à effectuer, réduit le risque de blessures.

- c) **Éviter une mise en service par mégarde. S'assurer que l'outil électroportatif est arrêté avant de le brancher à la source de courant et/ou au bloc-accu, de le prendre ou de le porter.** Le fait de porter l'outil électroportatif avec le doigt sur l'interrupteur ou de brancher l'appareil sur la source de courant lorsque l'interrupteur est en position de fonctionnement, peut entraîner des accidents.
- d) **Enlevez tout outil de réglage ou toute clé avant de mettre l'outil électroportatif en fonctionnement.** Une clé ou un outil se trouvant sur une partie en rotation peut causer des blessures.
- e) **Adoptez une bonne posture. Veillez à garder toujours une position stable et équilibrée.** Ceci vous permet de mieux contrôler l'outil électroportatif dans des situations inattendues.
- f) **Portez des vêtements appropriés. Ne portez pas de vêtements amples ni de bijoux. Maintenez cheveux, vêtements et gants éloignés des parties de l'appareil en rotation.** Des vêtements amples, des bijoux ou des cheveux longs peuvent être happés par des pièces en mouvement.
- g) **Si des dispositifs servant à aspirer ou à recueillir les poussières doivent être utilisés, vérifiez que ceux-ci sont effectivement raccordés et qu'ils sont correctement utilisés.** L'utilisation d'un dispositif d'aspiration peut réduire les risques dus aux poussières.

5.1.4 Utilisation et maniement de l'outil électroportatif

- a) **Ne surchargez pas l'appareil. Utilisez l'outil électroportatif approprié au travail à effectuer.** Avec l'outil électroportatif approprié, vous travaillerez mieux et avec plus de sécurité à la vitesse pour laquelle il est prévu.
- b) **N'utilisez pas un outil électroportatif dont l'interrupteur est défectueux.** Un outil électroportatif qui ne peut plus être mis en ou hors fonctionnement est dangereux et doit être réparé.
- c) **Retirez la fiche de la prise de courant et/ou le bloc-accu avant d'effectuer des réglages sur l'appareil, de changer les accessoires, ou de ranger l'appareil.** Cette mesure de précaution empêche une mise en fonctionnement par mégarde de l'outil électroportatif.
- d) **Gardez les outils électroportatifs non utilisés hors de portée des enfants. Ne permettez pas l'utilisation de l'appareil à des personnes qui ne se sont pas familiarisées avec celui-ci ou qui n'ont pas lu ces instructions.** Les outils électroportatifs sont dangereux lorsqu'ils sont utilisés par des personnes non initiées.
- e) **Prendre soin des outils électroportatifs. Vérifier que les parties en mouvement fonctionnent correctement et qu'elles ne sont pas coincées, et contrôler si des parties sont cassées ou endommagées de sorte que le bon fonctionnement de l'outil électroportatif s'en trouve entravé. Faire réparer les parties endommagées avant d'utiliser l'appareil.** De nombreux accidents sont dus à des outils électroportatifs mal entretenus.

- f) **Maintenez les outils de coupe aiguisés et propres.** Des outils soigneusement entretenus avec des bords tranchants bien aiguisés se coincent moins souvent et peuvent être guidés plus facilement.
- g) **L'outil électroportatif, les accessoires, les outils à monter, etc. doivent être utilisés conformément à ces instructions. Tenez compte également des conditions de travail et du travail à effectuer.** L'utilisation des outils électroportatifs à d'autres fins que celles prévues peut entraîner des situations dangereuses.

5.1.5 Service

- a) **Ne faire réparer l'outil électroportatif que par un personnel qualifié et seulement avec des pièces de rechange d'origine.** Ceci permet d'assurer la sécurité de l'outil électroportatif.

5.2 Indications générales de sécurité applicables aux burineurs

- a) **Porter un casque antibruit.** Le bruit peut entraîner des pertes auditives.
- b) **Utiliser la poignée supplémentaire livrée avec l'appareil.** La perte de contrôle peut entraîner des blessures.
- c) **Tenir l'appareil par les surfaces isolées des poignées lors des travaux pendant lesquels l'accessoire risque de toucher des câbles électriques cachés ou son propre câble d'alimentation réseau.** Le contact avec un câble sous tension risque de mettre les parties métalliques de l'appareil sous tension et de provoquer une décharge électrique.

5.3 Consignes de sécurité supplémentaires

5.3.1 Sécurité des personnes

- a) **Toujours tenir l'appareil des deux mains par les poignées prévues à cet effet. Veiller à ce que les poignées soient toujours sèches, propres et exemptes de traces de graisse et d'huile.**
- b) **Si l'appareil fonctionne sans dispositif d'aspiration de la poussière et si le travail effectué dégage de la poussière, porter un masque respiratoire léger.**
- c) **Faire régulièrement des pauses et des exercices de relaxation et de massage des doigts pour favoriser l'irrigation sanguine dans les doigts.**
- d) **Éviter de toucher des pièces en rotation. Brancher l'appareil uniquement dans l'espace de travail.** Le fait de toucher des pièces en rotation, en particulier des outils en rotation, risque d'entraîner des blessures.
- e) **Pendant le travail, toujours tenir le câble d'alimentation réseau et de rallonge à l'arrière de l'appareil.** Ceci permet d'éviter tout risque de chute en trébuchant sur le câble pendant le travail.
- f) **Pour mélanger, régler le sélecteur de fonction sur la position "Perçage avec percussion" et porter des gants de protection.**

- g) **Avertir les enfants et veiller à ce qu'ils ne jouent pas avec l'appareil.**
- h) **L'appareil n'est pas destiné à être utilisé par des enfants ou des personnes affaiblies sans encadrement.**
- i) **AVERTISSEMENT : Certains types de poussières générées par ébarbage, meulage, tronçonnage et perçage contiennent des substances chimiques, connues pour être cancérogènes, qui risquent d'entraîner des malformations congénitales, une infertilité, des lésions permanentes des voies respiratoires ou d'autres natures.** Quelques-unes de ces substances chimiques sont le plomb contenu dans les peintures au plomb, le quartz cristallin provenant des briques, du béton, de la maçonnerie ou de pierres naturelles, ou encore l'arsenic ou le chrome provenant de bois de construction traités chimiquement. Les risques pour l'utilisateur varient en fonction de la fréquence de ces travaux. **Afin de réduire la charge de ces substances chimiques, l'utilisateur et les tierces personnes doivent travailler dans une pièce bien ventilée et utiliser les équipements de sécurité homologués. Porter un masque respiratoire adapté au type de poussière déterminé, qui filtre les particules microscopiques et permet d'éviter tout contact de la poussière avec le visage ou le corps. Éviter tout contact prolongé avec la poussière. Porter des vêtements de protection et laver à l'eau et au savon la portion de peau qui a été en contact avec la poussière.** L'absorption de poussières par la bouche ou les yeux, ou le contact prolongé des poussières avec la peau, risque de favoriser l'absorption de substances chimiques nocives pour la santé.

5.3.2 Utilisation et emploi soigneux de l'outil électroportatif

- a) **Bien fixer la pièce. Pour ce faire, utiliser un dispositif de serrage ou un étau, pour maintenir la pièce travaillée en place.** Elle sera ainsi mieux tenue qu'à la main, et les deux mains restent alors libres pour commander l'appareil.
- b) **Vérifier que les outils sont bien munis du système d'emmanchement adapté à l'appareil et qu'ils sont toujours correctement verrouillés dans le porte-outil.**

5.3.3 Sécurité relative au système électrique



- a) **Avant d'entamer le travail, vérifier, par exemple à l'aide d'un détecteur de métaux, qu'il n'y a pas de câbles ou gaines électriques, tuyaux de gaz ou d'eau cachés dans la zone d'intervention.** Toutes pièces métalliques extérieures de l'appareil peuvent devenir conductrices, par exemple, lorsqu'un câble

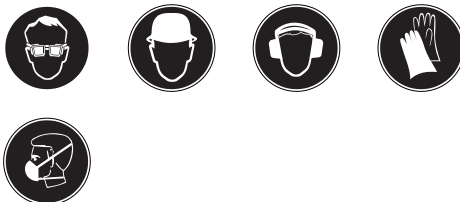
- électrique est endommagé par inadvertance. Cela peut entraîner un grave danger d'électrocution.
- b) **Contrôler régulièrement les câbles de raccordement de l'appareil et les faire remplacer par un spécialiste s'ils sont endommagés. Si le câble de raccordement de l'appareil électrique est endommagé, il doit être remplacé par un câble de raccordement spécialement préparé, disponible auprès du service après-vente. Contrôler régulièrement les câbles de rallonge et les remplacer s'ils sont endommagés. Si le câble d'alimentation réseau ou de rallonge est endommagé pendant le travail, ne pas le toucher. Débrancher la fiche de la prise.** Les cordons d'alimentation et câbles de rallonge endommagés représentent un danger d'électrocution.
- c) **Si le travail s'effectue souvent sur des matériaux conducteurs, faire réviser les appareils encrassés par le S.A.V. Hilti à intervalles réguliers.** Dans de mauvaises conditions d'utilisation, la poussière collée à la surface de l'appareil, surtout la poussière de matériaux conducteurs, ou l'humidité, peut entraîner une électrocution.
- d) **Lorsqu'un appareil électrique est utilisé en plein air, s'assurer que l'appareil est raccordé au réseau par le biais d'un interrupteur de protection contre les courants de court-circuit (GFCI) avec un courant de déclenchement maximal de 30 mA.** L'utilisation d'un tel interrupteur de protection réduit le risque d'une décharge électrique.

- e) **Par principe, il est recommandé d'utiliser un interrupteur de protection contre les courants de court-circuit (GFCI) avec un courant de déclenchement maximal de 30 mA.**

5.3.4 Place de travail

- a) **Veiller à ce que la place de travail soit bien ventilée.** Des places de travail mal ventilées peuvent nuire à la santé du fait de la présence excessive de poussière.
- b) **Lors de travaux d'ajourage, protéger l'espace du côté opposé aux travaux.** Des morceaux de matériaux risquent d'être éjectés et / ou de tomber, et de blesser d'autres personnes.

5.3.5 Équipement de protection individuel



L'utilisateur et les personnes se trouvant à proximité pendant l'utilisation de l'appareil doivent porter des lunettes de protection adaptées homologuées selon ANSI Z87.1, un casque de protection, un casque antibruit, des gants de protection et un masque respiratoire léger.

6 Mise en service



6.1 Montage et démontage de la poignée latérale

- Débrancher la fiche de la prise.
- Ouvrir le dispositif de serrage de la poignée latérale en tournant la poignée.
- Faire glisser la poignée latérale (collier de fixation) au-dessus du porte-outil sur la queue.
- Tourner la poignée latérale dans la position souhaitée.
- ATTENTION Veiller à ce que le collier de serrage soit dans l'écrou prévu à cet effet sur l'appareil.** Fixer la poignée latérale anti-torsion en la tournant par la poignée.

6.2 Montage de la butée de profondeur (en option)

- Ouvrir le dispositif de serrage de la poignée latérale en tournant la poignée.
- Faire glisser la butée de profondeur sous le dispositif de serrage (collier de fixation) de la poignée latérale dans les deux trous de guidage.
- Serrer la poignée latérale à fond en tournant la poignée, ce qui fixe simultanément la butée de profondeur.

6.3 Déblocage de l'appareil

Voir chapitre "Utilisation/ Protection contre le vol TPS (ATC)".

6.4 Utilisation de câbles de rallonge et d'un générateur ou d'un transformateur

Voir chapitre "Description/ Utilisation de câbles de rallonge"

7 Utilisation



ATTENTION

Du fait de ses applications, l'appareil a un couple de rotation élevé. **Utiliser la poignée latérale et toujours travailler en tenant l'appareil des deux mains.** L'utilisateur doit être préparé à l'éventualité d'un blocage soudain de l'outil.

ATTENTION

Veiller à ce que ce soit toujours la fonction correcte qui est réglée sur le sélecteur de fonction.

ATTENTION

Pour bloquer les pièces, utiliser un dispositif de serrage ou un étau.

ATTENTION

Avant chaque utilisation, vérifier que l'outil n'est pas endommagé et qu'il ne présente pas d'usure irrégulière.

7.1 Préparation de l'appareil avant utilisation

ATTENTION

Se munir de gants de protection pour changer d'outil, car l'appareil peut être très chaud après utilisation.

7.1.1 Réglage de la butée de profondeur

1. Desserrer la vis au niveau de la butée de profondeur.
2. Régler la butée de profondeur sur la profondeur de perçage souhaitée.
3. Serrer à fond la vis au niveau de la butée de profondeur.

7.1.2 Mise en place de l'outil

1. Débrancher la fiche de la prise.
2. Vérifier si l'emmanchement de l'outil est bien propre et légèrement graissé. Le nettoyer et le graisser si nécessaire.
3. Vérifier que la lèvres d'étanchéité de la protection anti-poussière est bien propre et en bon état. Si nécessaire, nettoyer la protection anti-poussière ou, si la lèvres d'étanchéité est endommagée, faire remplacer la protection anti-poussière.
4. Introduire l'outil dans le porte-outil et le tourner en le serrant légèrement, jusqu'à ce qu'il se clipse dans les rainures de guidage.
5. Pousser l'outil dans le porte-outil jusqu'à ce qu'il s'encliquette avec un « clic » audible.
6. Vérifier que l'outil est bien serré dans le dispositif de verrouillage en tirant dessus.

7.1.3 Retrait de l'outil

1. Débrancher la fiche de la prise.
2. Ouvrir le porte-outil en tirant vers l'arrière le dispositif de verrouillage de l'outil.

3. Tirer l'outil hors du porte-outil.

7.2 Utilisation



ATTENTION

Il y a risque de projection d'éclats de matériau durant les travaux sur le support. **Porter des lunettes de protection, des gants de protection et, si aucun aspirateur de poussière n'est utilisé, porter un masque respiratoire léger.** Les éclats de matériau peuvent entraîner des blessures corporelles et oculaires.

ATTENTION

Les travaux sont bruyants. **Porter un casque antibruit.** Un bruit trop intense peut entraîner des lésions auditives.

ATTENTION

Faire régulièrement des pauses et des exercices de relaxation et de massage des doigts pour favoriser l'irrigation sanguine dans les doigts.

7.2.1 Protection contre le vol TPS (ATC)

REMARQUE

L'appareil peut, en option, être équipé de la fonction "Protection contre le vol ATC". Si l'appareil est équipé de cette fonction, il peut uniquement être débloqué et activé à l'aide de la clé de déblocage fournie.

7.2.1.1 Déblocage de l'appareil

1. Brancher la fiche d'alimentation de l'appareil dans la prise. Le voyant jaune de protection contre le vol clignote. L'appareil est maintenant prêt à recevoir le signal de la clé de déblocage.
2. Placer la clé de déblocage directement sur le symbole de cadenas. Sitôt que le voyant jaune de protection contre le vol s'éteint, l'appareil est débloqué.

REMARQUE Si l'alimentation électrique est coupée, par exemple lors du changement de poste de travail ou d'une panne de courant, l'appareil reste débloqué pendant environ 20 minutes. En cas de coupure plus longue, l'appareil doit à nouveau être débloqué à l'aide de la clé de déblocage.

7.2.1.2 Activation de la fonction de protection contre le vol de l'appareil

REMARQUE

Pour plus d'informations concernant l'activation et l'utilisation de la protection contre le vol, consulter le mode d'emploi "Protection contre le vol".

7.2.2 Perçage avec percussion

REMARQUE

Travaux à basses températures : l'appareil nécessite une température de service minimale pour que le mécanisme

de frappe fonctionne. Pour atteindre la température de service minimale, poser un instant l'appareil sur le matériau support et laisser tourner l'appareil à vide. Répéter cette étape, si nécessaire, jusqu'à ce que le mécanisme de frappe fonctionne.

1. Tourner le sélecteur de fonction sur la position "Perçage avec percussion" jusqu'à ce qu'il s'encliquette. Le sélecteur de fonction ne doit pas être tourné pendant le fonctionnement.
2. Placer la poignée latérale dans la position souhaitée, et s'assurer qu'elle est montée et fixée correctement.
3. Brancher la fiche dans la prise.
4. Régler la puissance de perçage (en option).
REMARQUE Après avoir branché la fiche d'alimentation dans la prise, l'appareil est toujours réglé sur la pleine puissance de perçage.
REMARQUE Pour régler la demi-puissance de perçage, appuyer sur la touche "demi-puissance" et l'indicateur de puissance de perçage s'allume. Pour remettre l'appareil sur la pleine puissance de perçage, appuyer à nouveau sur la touche "demi-puissance".
5. Placer l'appareil avec la mèche sur le point de perçage souhaité.
6. Appuyer lentement sur le variateur électronique de vitesse (travailler avec des vitesses de rotation lentes jusqu'à ce que la mèche soit centrée dans le trou).
7. Pour poursuivre à pleine puissance, appuyer à fond sur le variateur électronique de vitesse.
8. Ne pas exercer une pression d'appui trop importante. La capacité de percussion n'en sera pas améliorée. Une pression d'appui moins importante augmente la durée de vie de l'outil.
9. Pour éviter les éclatements au moment de la percée, réduire la vitesse de rotation peu avant la percée.

7.2.3 Active Torque Control (correcteur de couple actif) (TE 60-ATC)

En plus de l'accouplement à glissement mécanique, l'appareil est équipé du système ATC (correcteur de couple actif). Ce système offre un confort supplémentaire dans la plage de perçage grâce à l'arrêt automatique en cas de mouvements de rotation soudains de l'appareil autour de l'axe de forage, tels que ceux qui peuvent se produire par exemple lorsque la mèche se coince lors du contact avec une armature ou d'un blocage inopiné de l'outil. Lorsque le système ATC s'est déclenché, remettre l'appareil en marche en relâchant le variateur électronique de vitesse et en l'actionnant à nouveau, après l'arrêt du moteur (un "clic" indique que l'appareil est à nouveau prêt à fonctionner). Toujours choisir une position de travail dans laquelle l'appareil peut tourner librement dans le sens inverse des aiguilles d'une montre (vu depuis l'utilisateur). Lorsque ceci n'est pas possible, l'ATC ne peut pas réagir.

7.2.4 Burinage

REMARQUE

Le burin peut être bloqué dans 24 positions différentes (tous les 15°). Ainsi, que ce soit pour le burinage plat

ou profilé, il est toujours possible de travailler dans la position optimale.

ATTENTION

Ne pas travailler avec le sélecteur sur la position "Positionnement du burin".

1. Pour positionner le burin, tourner le sélecteur de fonction sur la position "Positionnement du burin" jusqu'à ce qu'il s'encliquette.
2. Placer la poignée latérale dans la position souhaitée, et s'assurer qu'elle est montée et fixée correctement.
3. Tourner le burin dans la position souhaitée.
4. Pour bloquer le burin, tourner le sélecteur de fonction sur la position "Burinage" jusqu'à ce qu'il s'encliquette. Le sélecteur de fonction ne doit pas être tourné pendant le fonctionnement.
5. Pour buriner, brancher la fiche d'alimentation dans la prise.
6. Régler la puissance de burinage (ATC).
REMARQUE Après avoir branché la fiche d'alimentation dans la prise, l'appareil est toujours réglé sur la pleine puissance de burinage.
REMARQUE Pour régler la demi-puissance de burinage, appuyer sur la touche "demi-puissance" et l'indicateur de puissance de burinage s'allume. Pour remettre l'appareil sur la pleine puissance de burinage, appuyer à nouveau sur la touche "demi-puissance".
7. Placer l'appareil avec le burin sur le point de burinage souhaité.
8. Enfoncer complètement l'interrupteur de commande.

7.2.5 Perçage sans percussion

Le perçage sans percussion est possible avec des outils pourvus d'un emmanchement spécial. De tels outils sont disponibles dans la gamme d'outils Hilti. Le mandrin auto-serrant permet par exemple d'insérer une mèche à bois ou pour acier avec queue cylindrique et de percer sans percussion. Pour ce faire, le sélecteur de fonction doit être encliqueté sur la position "Perçage avec percussion".

7.2.6 Dispositif de blocage de variateur électronique de vitesse

En mode burinage, le variateur électronique de vitesse peut être bloqué à l'état actif.

1. Déplacer le dispositif de blocage du variateur électronique de vitesse au-delà de la poignée vers l'avant.
2. Enfoncer complètement l'interrupteur de commande.
L'appareil se trouve alors en mode de fonctionnement continu.
3. Pour réinitialiser, remettre le dispositif de blocage du variateur électronique de vitesse dans sa position initiale.
L'appareil s'arrête.

7.2.7 Mélange

1. Tourner le sélecteur de fonction sur la position "Perçage avec percussion" jusqu'à ce qu'il s'encliquette.
2. Insérer le mandrin auto-serrant dans le porte-outil.
3. Insérer l'agitateur.
4. Vérifier que l'outil est bien serré dans le dispositif de verrouillage en tirant dessus.
5. Placer la poignée latérale dans la position souhaitée, et s'assurer qu'elle est montée et fixée correctement.
6. Brancher la fiche d'alimentation de l'appareil dans la prise.
7. Maintenir l'agitateur dans le récipient contenant le produit à mélanger.
8. Appuyer doucement sur le variateur électronique de vitesse pour mélanger.
9. Pour poursuivre à pleine puissance, appuyer à fond sur le variateur électronique de vitesse.
10. Diriger l'agitateur de sorte à éviter des projections de produit.

8 Nettoyage et entretien

ATTENTION

Débrancher la fiche de la prise.

8.1 Entretien des outils et des pièces métalliques

Enlever toute trace de saleté et protéger la surface des outils et du porte-outil de la corrosion, en les frottant de temps à autre avec un chiffon imbibé d'huile.

8.2 Nettoyage de l'appareil

ATTENTION

Tenir l'appareil, en particulier les surfaces de préhension, sec, propre et exempt d'huile et de graisse. Ne pas utiliser de nettoyeurs à base de silicone.

La coque extérieure du boîtier de l'appareil est fabriquée en plastique résilient. La partie préhensible est en élastomère.

Ne jamais faire fonctionner l'appareil si ses ouïes d'aération sont bouchées ! Les nettoyer avec précaution au moyen d'une brosse sèche. Éviter toute pénétration de corps étrangers à l'intérieur de l'appareil. Nettoyer régulièrement l'extérieur de l'appareil avec un chiffon légèrement humide. N'utiliser ni pulvérisateur, ni appareil à jet de vapeur, ni eau courante pour nettoyer l'appareil, afin de garantir sa sûreté électrique.

8.3 Indicateur de maintenance

REMARQUE

L'appareil est équipé d'un indicateur de maintenance.

Indicateur	allumé en rouge	La durée de fonctionnement pour une maintenance est atteinte. L'appareil peut encore être utilisé pendant quelques heures en fonctionnement réel à compter de l'allumage de l'indicateur, jusqu'à l'arrêt automatique de l'appareil. Apporter l'appareil à temps au S.A.V. Hilti afin que l'appareil soit toujours prêt à fonctionner.
	clignote d'une lumière rouge	Voir chapitre Guide de dépannage.

8.4 Entretien

AVERTISSEMENT

Toute réparation des pièces électriques ne doit être effectuée que par un électricien qualifié.

Vérifier régulièrement toutes les pièces extérieures de l'appareil pour voir si elles ne sont pas abîmées et s'assurer que tous les organes de commande fonctionnent correctement. Ne pas utiliser l'appareil si des pièces

sont abîmées ou si des organes de commande ne fonctionnent pas parfaitement. Faire réparer l'appareil par le S.A.V. Hilti.

8.5 Contrôle après des travaux de nettoyage et d'entretien

Après des travaux de nettoyage et d'entretien, vérifier si tous les équipements de protection sont bien en place et fonctionnent parfaitement.

9 Guide de dépannage

Défauts	Causes possibles	Solutions
L'appareil ne se met pas en marche.	L'alimentation réseau est coupée.	Brancher un autre appareil électrique, contrôler son fonctionnement.
	Le câble d'alimentation réseau ou le connecteur est défectueux.	Le faire vérifier par un électricien et, si nécessaire, le remplacer.
	Le générateur est en mode Veille.	Solliciter le générateur avec un deuxième dispositif consommateur (par ex. lampe de chantier). Puis arrêter l'appareil et le remettre en marche.
	Autre défaut électrique.	Le faire vérifier par un électricien.
	Le dispositif de verrouillage anti-démarrage électronique après une coupure d'alimentation électrique est activé.	Arrêter et remettre l'appareil en marche.
	Le variateur électronique de vitesse est défectueux.	Le faire vérifier par un électricien et, si nécessaire, le remplacer.
Absence de percussion.	L'appareil est trop froid.	L'appareil doit atteindre la température de service minimale. Voir chapitre : 7.2.2 Perçage avec percussion 6
L'appareil ne se met pas en marche et l'indicateur clignote d'une lumière rouge.	Appareil endommagé.	Faire réparer l'appareil par le S.A.V. Hilti.
L'appareil ne se met pas en marche et l'indicateur s'allume d'une lumière rouge.	Balais usés.	Faire vérifier par un électricien et, si nécessaire, remplacer.
L'appareil ne se met pas en marche et l'indicateur clignote d'une lumière jaune.	L'appareil n'est pas débloqué (pour les appareils avec protection contre le vol, ATC).	Débloquer l'appareil à l'aide de la clé de déblocage.
L'appareil n'atteint pas la pleine puissance.	Câble de rallonge trop long et / ou de section insuffisante.	Utiliser des câbles de rallonge de longueur admissible et / ou de section suffisante.
	Le variateur électronique de vitesse n'est pas complètement enfoncé.	Enfoncer le variateur électronique de vitesse jusqu'à la butée.
	Touche "demi-puissance" enfoncée (ATC).	Appuyer sur la touche "demi-puissance".
	La source d'alimentation électrique a une tension trop faible.	Raccorder l'appareil à une autre source d'alimentation électrique.
La mèche ne tourne pas.	Le sélecteur de fonction n'est pas encliqueté ou se trouve sur la position "Burinage" ou "Positionnement du burin".	À l'arrêt, mettre le sélecteur de fonction sur la position "Perçage avec percussion".
La mèche/le burin ne sort pas du dispositif de verrouillage.	Le mandrin n'est pas complètement ouvert.	Retirer le dispositif de verrouillage de l'outil jusqu'à la butée et sortir l'outil.
	La poignée latérale n'est pas montée correctement.	Desserrer la poignée latérale et la monter correctement, afin que le collier de serrage et la poignée latérale s'enclenchent dans l'encoche.

10 Recyclage



Les appareils Hilti sont fabriqués en grande partie avec des matériaux recyclables dont la réutilisation exige un tri correct. Dans de nombreux pays, Hilti est déjà équipé pour reprendre votre ancien appareil afin d'en recycler les composants. Consultez le service clients Hilti ou votre conseiller commercial.

fr

11 Garantie constructeur des appareils

Hilti garantit l'appareil contre tout vice de matières et de fabrication. Cette garantie s'applique à condition que l'appareil soit utilisé et manipulé, nettoyé et entretenu correctement, en conformité avec le mode d'emploi Hilti, et que l'intégrité technique soit préservée, c'est-à-dire sous réserve de l'utilisation exclusive de consommables, accessoires et pièces de rechange d'origine Hilti.

Cette garantie se limite strictement à la réparation gratuite ou au remplacement gracieux des pièces défectueuses pendant toute la durée de vie de l'appareil. Elle ne couvre pas les pièces soumises à une usure normale.

Toutes autres revendications sont exclues pour autant que des dispositions légales nationales impératives ne s'y opposent pas. En particulier, Hilti ne

saurait être tenu pour responsable de toutes détériorations, pertes ou dépenses directes, indirectes, accidentelles ou consécutives, en rapport avec l'utilisation ou dues à une incapacité à utiliser l'appareil dans quelque but que ce soit. Hilti exclut en particulier les garanties implicites concernant l'utilisation et l'aptitude dans un but bien précis.

Pour toute réparation ou tout échange, renvoyer l'appareil ou les pièces concernées au réseau de vente Hilti compétent, sans délai, dès constatation du défaut.

La présente garantie couvre toutes les obligations d'Hilti et annule et remplace toutes les déclarations antérieures ou actuelles, de même que tous accords oraux ou écrits concernant des garanties.

Martillo combinado TE 60 / TE 60-ATC

Lea detenidamente el manual de instrucciones antes de la puesta en servicio.

Conservar siempre este manual de instrucciones cerca de la herramienta.

No entregue nunca la herramienta a otras personas sin adjuntar el manual de instrucciones.

Índice	Página
1 Indicaciones generales	26
2 Descripción	27
3 Herramientas, accesorios, material de consumo	29
4 Datos técnicos	30
5 Indicaciones de seguridad	30
6 Puesta en servicio	33
7 Manejo	33
8 Cuidado y mantenimiento	36
9 Localización de averías	36
10 Reciclaje	37
11 Garantía del fabricante de las herramientas	38

Los números hacen referencia a las ilustraciones que pueden encontrarse en las páginas desplegadas correspondientes. Manténgalas desplegadas mientras estudia el manual de instrucciones.

En este manual de instrucciones, "la herramienta" se refiere siempre al martillo combinado TE 60 / TE 60-ATC.

Componentes de la herramienta, elementos de manejo y de indicación

- ① Portaútiles
- ② Interruptor selector de funciones
- ③ Conmutador de control
- ④ Cable de red
- ⑤ Empuñadura lateral
- ⑥ Tope de profundidad (opcional)
- ⑦ Indicador de funcionamiento
- ⑧ Indicador de protección antirrobo (opcional)
- ⑨ Bloqueo del conmutador de control
- ⑩ Indicador de media potencia (opcional)
- ⑪ Tecla de media potencia (opcional)

1 Indicaciones generales

1.1 Señales de peligro y su significado

PELIGRO

Término utilizado para un peligro inminente que puede ocasionar lesiones graves o incluso la muerte.

ADVERTENCIA

Término utilizado para una posible situación peligrosa que puede ocasionar lesiones graves o la muerte.

PRECAUCIÓN

Término utilizado para una posible situación peligrosa que puede ocasionar lesiones o daños materiales leves.

INDICACIÓN

Término utilizado para indicaciones de uso y demás información de interés.

1.2 Explicación de los pictogramas y otras indicaciones

Símbolos de advertencia



Advertencia de peligro en general



Advertencia de tensión eléctrica peligrosa



Advertencia ante superficie caliente

Señales prescriptivas



Utilizar protección para los ojos



Utilizar casco de protección



Utilizar protección para los oídos



Utilizar guantes de protección



Utilizar mascarilla ligera

Símbolos



Leer el manual de instrucciones antes del uso



Reciclar los materiales usados



Taladrar con martillo



Cincelar



Colocar cincel



Voltios



Amperios



Corriente alterna

Hz

Hercios

n_0

Número de referencia de revoluciones en vacío

/min

Revoluciones por minuto

RPM

Revoluciones por minuto



Diámetro



Aislamiento doble



Indicación de protección antirrobo



Símbolo del cerrojo

es

Ubicación de los datos identificativos de la herramienta

La denominación del modelo está en la placa de identificación y el número de serie en el lateral de la carcasa del motor. Anote estos datos en su manual de instrucciones y menciónelos siempre que realice alguna consulta a nuestros representantes o al departamento de servicio técnico.

Modelo:

Generación: 03

N.º de serie:

2 Descripción

2.1 Uso conforme a las prescripciones

La herramienta es un martillo combinado accionado eléctricamente con un mecanismo de percusión neumático. La función ATC del TE 60-ATC (Active Torque Control) ofrece al usuario un confort adicional en los trabajos de taladrado. La herramienta es adecuada para trabajos de taladrado en hormigón, mampostería, metal y madera; además puede utilizarse también para trabajos de cincelado.

La herramienta está equipada con una protección electrónica contra sobrecarga. Con una sobrecarga constante de la herramienta, las revoluciones del motor disminuyen automáticamente y, en caso necesario, el motor se detiene. Si se suelta el conmutador de control y se vuelve a accionar, el motor recobra toda la potencia. Por este motivo, al poner de nuevo en marcha la herramienta sujétela correctamente con ambas manos.

Bajo determinadas condiciones, la herramienta es adecuada para trabajos de mezclado (véase Herramientas, Accesorios y Manejo).

Esta herramienta ha sido diseñada para el usuario profesional y solo debe ser manejada, conservada y reparada por personal autorizado y debidamente formado. Este personal debe estar especialmente instruido en lo referente a los riesgos de uso. La herramienta y sus dispositivos auxiliares pueden conllevar riesgos para el usuario en caso de manejarse de forma inadecuada por personal no cualificado o utilizarse para usos diferentes a los que están destinados.

No deben trabajarse materiales nocivos para la salud (p. ej., amianto).

El entorno de trabajo puede ser: obra, taller, renovaciones, mudanzas y obra nueva.

Utilice la herramienta únicamente en lugares secos.

Tenga en cuenta las condiciones ambientales. No utilice la herramienta en lugares donde exista peligro de incendio o explosión.

Un funcionamiento correcto sólo es posible con la frecuencia y tensión de alimentación especificada en la placa de identificación.

Siga las indicaciones relativas al manejo, cuidado y mantenimiento que se describen en el manual de instrucciones.

A fin de evitar el riesgo de lesiones, utilice exclusivamente accesorios y herramientas de Hilti.

No está permitido efectuar manipulaciones o modificaciones en la herramienta.

2.2 Portaútiles

Portaútiles de cambio rápido de clic TE-Y (SDS máx.) TE 60 / TE 60-ATC

ES

2.3 Interruptores

Conmutador de control regulable para un inicio de perforación o un cincelado suaves

Interruptor selector de funciones: taladrar con martillo, cincelar, ajuste de cinceles (24 posiciones)

Selector de potencia total o media (ATC)

Conmutador de control con bloqueo en modo cincel

2.4 Empuñaduras

Empuñadura lateral basculable reductora de vibraciones

Empuñadura reductora de vibraciones (ATC)

2.5 Dispositivos de protección

Acoplamiento mecánico de retención

Bloqueo de rearranque electrónico para evitar que la herramienta se ponga en funcionamiento de forma involuntaria después de una interrupción del suministro eléctrico (véase el capítulo "Localización de averías").

ATC "Active Torque Control" (TE 60-ATC)

2.6 Lubricación

Engranaje y mecanismo de percusión con cámaras de lubricación independientes

2.7 Active Vibration Reduction (AVR)

La herramienta está equipada con el sistema "Active Vibration Reduction" (AVR), que reduce considerablemente la vibración en comparación con el valor sin AVR.

2.8 Protección antirrobo TPS (ATC)

La herramienta puede equiparse opcionalmente con la función de protección antirrobo TPS. Si la herramienta está equipada con esta función, necesitará la llave de activación correspondiente para activarla y manejarla.

2.9 Indicadores con señal luminosa

Indicador de funcionamiento con señal luminosa (véase el capítulo "Cuidado y mantenimiento/ Indicador de funcionamiento")

Indicador de la protección antirrobo (ATC) (véase el capítulo "Manejo/Protección antirrobo TPS (opcional)")

Indicador de media potencia (véase el capítulo "Manejo/ Taladrar con martillo/ Cincelar")

2.10 El suministro del equipamiento de serie incluye:

- 1 Herramienta con empuñadura lateral
- 1 Grasa
- 1 Paño de limpieza
- 1 Manual de instrucciones
- 1 Maletín Hilti

2.11 Uso de alargadores

Utilice exclusivamente el alargador autorizado con sección suficiente para el campo de aplicación prescrito. De lo contrario podría generarse una pérdida de potencia de la herramienta y un sobrecalentamiento del cable. Controle regularmente el alargador por si estuviera dañado. Sustituya los alargadores dañados.

Secciones mínimas recomendadas y longitudes máximas del cable

Sección de cable	14 AWG	12 AWG
Tensión de alimentación 110-120 V	50 ft	100 ft

No utilice alargadores con una sección de cable 16 AWG.

2.12 Alargador para trabajar al aire libre

Cuando trabaje al aire libre, utilice únicamente alargadores autorizados que estén debidamente identificados.

2.13 Uso de un generador o transformador

Este equipo puede accionarse desde un generador o transformador (por cuenta de la empresa explotadora) si se cumplen las siguientes condiciones: la potencia útil en vatios debe ser al menos el doble de la potencia que figura en la placa de identificación de la herramienta, la tensión de servicio debe oscilar siempre entre +5% y -15% respecto a la tensión nominal, la frecuencia debe ser de 50 a 60 Hz (nunca debe superar 65 Hz) y debe existir, además, un regulador de tensión automático con refuerzo de arranque.

No utilice el generador o el transformador con varias herramientas a la vez. La conexión y desconexión de otras herramientas puede ocasionar picos de subtensión o sobretensión que pueden dañar la herramienta.

3 Herramientas, accesorios, material de consumo

Denominación	Abreviatura	Descripción
Broca para martillos perforadores	TE 60 / TE 60-ATC	∅ 12...40 mm (½" ... 1¼")
Broca perforadora	TE 60 / TE 60-ATC	∅ 40...80 mm (1½" ... 3¼")
Broca corona con percusión	TE 60 / TE 60-ATC	∅ 45...100 mm (1¾" ... 4")
Corona perforadora de diamante PCM	TE 60-ATC	∅ 42...102 mm (1½" ... 4")
Cinzel	TE 60 / TE 60-ATC	Cinzel plano, cinzel de perfilar y cinzel de afilar con extremo de inserción TE-Y
Broca para madera		∅ 10...32 mm (¾" ... 1¼")
Broca para metal		∅ Máx. 20 mm (¾")

Denominación	Abreviatura	Número de artículo, descripción
Empuñadura lateral completa		
Tope de profundidad completo		2021281
Útiles de inserción	TE 60 / TE 60-ATC	Set de útiles con extremo de inserción TE-Y
Alojamiento para portabrocas	TE FY-BA-C	Adaptador
Protección antirrobo TPS (Theft Protection System) con Company Card, Company Remote y llave de activación TPS-K		206999, opcional
Alojamiento de cierre rápido		para brocas de madera y metal con vástago cilíndrico o hexagonal
Herramienta agitadora para sustancias no inflamables con vástago cilíndrico o hexagonal		∅ 80...120 mm (3" ... 4¾")
Aspiración de polvo	TE DRS-B, TE DRS-S, TE DRS-BK	

El TE 60 (3) está previsto para la colocación de anclajes de autoexcavado HDA con el útil de inserción indicado

Tamaño	galvanizado con zinc	HDA-P, HDA-T, galvanizado con zinc	HDA-PF, HDA-TF, sherardizado	HDA-PR, HDA-TR, inoxidable	Set de útiles
M 10	x	x	x	x	TE-Y-HDA-ST 20 M10
M 12	x	x	x	x	TE-Y-HDA-ST 22 M12

ES

4 Datos técnicos

Reservado el derecho a introducir modificaciones técnicas.

INDICACIÓN

La herramienta está disponible con diferentes voltajes nominales. La tensión de referencia y la potencia nominal de la herramienta figuran en la placa de identificación.

Herramienta	TE 60 / TE 60-ATC
Tensión de referencia	120 V
Intensidad de referencia	12,8 A
Frecuencia de red	60 Hz
Peso TE 60	6,4 kg (14,11 lb)
Peso TE 60-ATC	7,5 kg (16,53 lb)
Dimensiones (L x An x Al) TE 60	480 mm (18,9") x 115 mm (4,53") x 274 mm (10,79")
Dimensiones (L x An x Al) TE 60-ATC	490 mm (19,29") x 115 mm (4,53") x 293 mm (11,54")
Velocidad al taladrar con martillo	350/min
Energía por impacto (máxima potencia)	7,3 J
Energía por impacto (potencia media) TE 60-ATC	3,6 J

Información sobre la herramienta y su aplicación

Portátiles TE 60 / TE 60-ATC	TE-Y
Clase de protección	Clase de protección II (aislamiento doble) o clase de protección I (véase la placa de características)

5 Indicaciones de seguridad

INDICACIÓN

Las indicaciones de seguridad del capítulo 5.1 incluyen todas las indicaciones de seguridad generales para herramientas eléctricas que se mencionan en el manual de instrucciones. Por consiguiente, pueden incluirse indicaciones que no son relevantes para esta herramienta.

5.1 Indicaciones generales de seguridad para herramientas eléctricas

a)  **ADVERTENCIA**

Lea con atención todas las instrucciones e indicaciones de seguridad. En caso de no respetar las instrucciones e indicaciones de seguridad que se describen a continuación, podría producirse

una descarga eléctrica, incendio y/o lesiones graves. **Conserve todas las instrucciones e indicaciones de seguridad para futuras consultas.** El término "herramienta eléctrica" empleado en las indicaciones de seguridad se refiere a herramientas eléctricas portátiles, ya sea con cable de red o sin cable, en caso de ser accionadas por batería.

5.1.1 Seguridad en el puesto de trabajo

- a) **Mantenga su área de trabajo limpia y bien iluminada.** El desorden o una iluminación deficiente de las zonas de trabajo pueden provocar accidentes.
- b) **No utilice la herramienta eléctrica en un entorno con peligro de explosión, en el que se encuentren combustibles líquidos, gases o material en polvo.**

Las herramientas eléctricas producen chispas que pueden llegar a inflamar los materiales en polvo o vapores.

- c) **Mantenga alejados a los niños y otras personas de su puesto de trabajo al emplear la herramienta eléctrica.** Una distracción le puede hacer perder el control sobre la herramienta.

5.1.2 Seguridad eléctrica

- a) **El enchufe de la herramienta eléctrica debe corresponder con la toma de corriente utilizada. No está permitido modificar el enchufe en forma alguna. No utilice enchufes adaptadores para las herramientas eléctricas con puesta a tierra.** Los enchufes sin modificar adecuados a las respectivas tomas de corriente reducen el riesgo de descarga eléctrica.
- b) **Evite el contacto corporal con superficies que tengan puesta a tierra, como pueden ser tubos, calefactores, cocinas y frigoríficos.** El riesgo a quedar expuesto a una descarga eléctrica es mayor si su cuerpo tiene contacto con el suelo.
- c) **No exponga las herramientas eléctricas a la lluvia y evite que penetren líquidos en su interior.** El riesgo de recibir descargas eléctricas aumenta si penetra agua en la herramienta eléctrica.
- d) **No utilice el cable de red para transportar o colgar la herramienta eléctrica ni tire de él para extraer el enchufe de la toma de corriente. Mantenga el cable de red alejado de fuentes de calor, aceite, aristas afiladas o piezas móviles de la herramienta.** Los cables de red dañados o enredados pueden provocar descargas eléctricas.
- e) **Cuando trabaje al aire libre con una herramienta eléctrica, utilice exclusivamente un alargador adecuado para exteriores.** La utilización de un cable de prolongación adecuado para su uso en exteriores reduce el riesgo de una descarga eléctrica.
- f) **Cuando no pueda evitarse el uso de la herramienta eléctrica en un entorno húmedo, utilice un interruptor de corriente de defecto.** La utilización de un interruptor de corriente de defecto evita el riesgo de una descarga eléctrica.

5.1.3 Seguridad de las personas

- a) **Permanezca atento, preste atención durante el trabajo y utilice la herramienta eléctrica con prudencia. No utilice la herramienta eléctrica si está cansado, ni tampoco después de haber consumido alcohol, drogas o medicamentos.** Un momento de descuido al utilizar la herramienta eléctrica podría producir graves lesiones.
- b) **Utilice el equipo de protección adecuado y lleve siempre gafas de protección.** El riesgo de lesiones se reduce considerablemente si, según el tipo y la aplicación de la herramienta eléctrica empleada, se utiliza un equipo de cubierta protectora adecuado como una mascarilla antipolvo, zapatos de seguridad con suela antideslizante, casco o protectores auditivos.

- c) **Evite una puesta en marcha fortuita de la herramienta. Asegúrese de que la herramienta eléctrica está apagada antes de alzarla, transportarla, conectarla a la alimentación de corriente y/o insertar la batería.** Si transporta la herramienta eléctrica sujetándola por el interruptor de conexión/desconexión o si introduce el enchufe en la toma de corriente con la herramienta conectada, podría producirse un accidente.
- d) **Retire las herramientas de ajuste o llaves fijas antes de conectar la herramienta eléctrica.** Una herramienta o llave colocada en una pieza giratoria puede producir lesiones al ponerse en funcionamiento.
- e) **Evite adoptar posturas forzadas. Procure que la postura sea estable y manténgase siempre en equilibrio.** De esta forma podrá controlar mejor la herramienta eléctrica en caso de presentarse una situación inesperada.
- f) **Utilice ropa adecuada. No utilice vestimenta amplia ni joyas. Mantenga su pelo, vestimenta y guantes alejados de las piezas móviles.** La vestimenta suelta, las joyas y el pelo largo se pueden enganchar con las piezas móviles.
- g) **Siempre que sea posible utilizar equipos de aspiración o captación de polvo, asegúrese de que están conectados y de que se utilizan correctamente.** El uso de un sistema de aspiración reduce los riesgos derivados del polvo.

5.1.4 Uso y manejo de la herramienta eléctrica

- a) **No sobrecargue la herramienta. Utilice la herramienta adecuada para el trabajo que se dispone a realizar.** Con la herramienta apropiada podrá trabajar mejor y de modo más seguro dentro del margen de potencia indicado.
- b) **No utilice herramientas con el interruptor defectuoso.** Las herramientas que no se puedan conectar o desconectar son peligrosas y deben repararse.
- c) **Extraiga el enchufe de la toma de corriente y/o la batería antes de efectuar cualquier ajuste en la herramienta, cambiar accesorios o en caso de no utilizar la herramienta durante un tiempo prolongado.** Esta medida preventiva reduce el riesgo de conexión accidental de la herramienta eléctrica.
- d) **Guarde las herramientas fuera del alcance de los niños. Evite que personas no familiarizadas con su uso o que no hayan leído este manual de instrucciones utilicen la herramienta.** Las herramientas utilizadas por personas inexpertas son peligrosas.
- e) **Cuide su herramienta eléctrica adecuadamente. Compruebe si las piezas móviles de la herramienta funcionan correctamente y sin atascarse, y si existen piezas rotas o deterioradas que pudieran afectar al funcionamiento de la herramienta eléctrica. Encargue la reparación de las piezas defectuosas antes de usar la herramienta eléctrica.** Muchos accidentes son consecuencia de un mantenimiento inadecuado de la herramienta eléctrica.

- f) **Mantenga los útiles limpios y afilados.** Las herramientas de corte bien cuidadas y con aristas afiladas se atascan menos y se guían con más facilidad.
- g) **Utilice la herramienta eléctrica, los accesorios, útiles, etc., de acuerdo con estas instrucciones.** Para ello, tenga en cuenta las condiciones de trabajo y la tarea que se va a realizar. El uso de herramientas eléctricas para trabajos diferentes de aquellos para los que han sido concebidas puede resultar peligroso.

5.1.5 Servicio técnico

- a) **Solicite que un profesional lleve a cabo la reparación de su herramienta eléctrica y que utilice exclusivamente piezas de repuesto originales.** Solamente así se mantiene la seguridad de la herramienta eléctrica.

5.2 Indicaciones de seguridad para martillos

- a) **Utilice protección para los oídos.** El ruido constante puede reducir la capacidad auditiva.
- b) **Utilice las empuñaduras adicionales que se suministran con la herramienta.** La pérdida del control puede causar lesiones.
- c) **Sujete la herramienta por las empuñaduras aisladas cuando realice trabajos en los que la herramienta puede entrar en contacto con cables eléctricos ocultos o con el propio cable de la herramienta.** El contacto con los cables conductores puede traspasar la conductividad a las partes metálicas y producir descargas eléctricas.

5.3 Indicaciones de seguridad adicionales

5.3.1 Seguridad de personas

- a) **Sujete siempre la herramienta con ambas manos por las empuñaduras previstas.** Mantenga las empuñaduras secas, limpias y sin residuos de aceite o grasa.
- b) **Si la herramienta se utiliza sin un sistema de aspiración de polvo, debe emplearse una mascarilla ligera al realizar trabajos que generen polvo.**
- c) **Efectúe pausas durante el trabajo, así como ejercicios de relajación y estiramiento de los dedos para mejorar la circulación.**
- d) **Evite tocar las piezas en movimiento. No conecte la herramienta fuera de la zona de trabajo.** Si se tocan piezas en movimiento, en especial herramientas rotativas, pueden ocasionarse lesiones.
- e) **Retire siempre hacia atrás el cable eléctrico y el alargador durante el trabajo.** De esta forma se evita el peligro de tropiezo por culpa del cable.
- f) **Al realizar trabajos de mezclado, sitúe el interruptor selector de funciones en la posición "Taladrar con martillo" y utilice guantes de protección.**
- g) **Es conveniente advertir a los niños de que no deben jugar con la herramienta.**
- h) **La herramienta no es apta para el uso por parte de niños o de personas físicamente no preparadas que no tengan la debida instrucción.**

- i) **ADVERTENCIA: Ciertos tipos de polvo que se producen al realizar trabajos de desbarbado, lijado, tronzado y taladrado, contienen sustancias químicas, conocidas por provocar cáncer, que ocasionan malformaciones en el feto, esterilidad, problemas en las vías respiratorias y otras lesiones.** Entre estas sustancias químicas se encuentran el plomo de la pintura de plomo, el cuarzo cristalino derivado de ladrillos secos, hormigón, mampostería o piedras naturales, o el arsénico y el cromo derivados de la madera de construcción tratada con productos químicos. El nivel de riesgo varía dependiendo de la frecuencia con la que se realizan estos trabajos. **Para reducir los efectos de estas sustancias químicas, tanto el usuario como terceras personas deben trabajar en espacios con buena ventilación y usar siempre equipos de seguridad autorizados.** Utilice una mascarilla adecuada para determinados tipos de polvo que pueda filtrar además partículas microscópicas y mantenga alejado el polvo de la cara y el cuerpo. **Evite un contacto prolongado con el polvo. Utilice prendas protectoras y lave con agua y jabón las partes de su cuerpo que hayan estado en contacto con el polvo.** La inhalación de partículas de polvo a través de la boca y el contacto prolongado del polvo con la piel y los ojos puede favorecer la ingestión de sustancias químicas perjudiciales para la salud.

5.3.2 Manipulación y utilización segura de las herramientas eléctricas

- a) **Asegure la pieza de trabajo. Utilice dispositivos de sujeción o un tornillo de banco para sujetar la pieza de trabajo.** De esta forma estará sujeta de modo más seguro que con la mano y, por otro lado, se podrán mantener libres ambas manos para el manejo de la herramienta.
- b) **Compruebe si los útiles presentan el sistema de inserción adecuado para la herramienta y si están enclavados en el portaútiles conforme a las prescripciones.**

5.3.3 Seguridad eléctrica



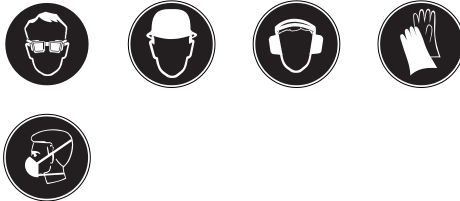
- a) **Compruebe (sirviéndose, por ejemplo, de un detector de metales) antes de empezar a trabajar si la zona de trabajo oculta cables eléctricos, tuberías de gas o cañerías de agua.** Las partes metálicas exteriores de la herramienta pueden conducir electricidad si, por ejemplo, se ha dañado accidentalmente una conducción eléctrica. Esto conlleva un peligro grave de descarga eléctrica.
- b) **Compruebe con regularidad la línea de conexión de la herramienta y en caso de que tuviera daños, encargue su sustitución a un profesional experto en la materia. Si el cable de conexión de la herra-**

- mienta eléctrica está dañado debe reemplazarse por un cable especial que encontrará en nuestro servicio postventa. Inspeccione regularmente los alargadores y sustitúyalos en caso de que estuvieran dañados. Si se daña el cable de red o el alargador durante el trabajo, evite tocar el cable. Extraiga el enchufe de red de la toma de corriente. Los cables de conexión y los alargadores dañados son un peligro porque pueden ocasionar una descarga eléctrica.
- c) **Encargue la revisión de la herramienta al servicio técnico de Hilti en caso de tratar con frecuencia materiales conductores a intervalos regulares.** El polvo adherido a la superficie de la herramienta, sobre todo el de los materiales conductivos, o la humedad pueden provocar descargas eléctricas bajo condiciones desfavorables.
- d) **Al trabajar con una herramienta eléctrica al aire libre, asegúrese de que la herramienta esté conectada mediante un interruptor de corriente de defecto (GFCI) con un máximo de 30 mA de corriente de activación a la red eléctrica.** El uso de un interruptor de corriente de defecto reduce el riesgo de una descarga eléctrica.
- e) **Se recomienda en principio la utilización de un interruptor de corriente de defecto (GFCI) con una corriente de desconexión máxima de 30 mA.**

5.3.4 Lugar de trabajo

- a) **Procure que haya una buena ventilación del lugar de trabajo.** Los lugares de trabajo mal ventilados pueden perjudicar la salud debido a la carga de polvo.
- b) **Durante el proceso de taladrado proteja la zona opuesta al lugar donde se realiza el trabajo,** ya que pueden desprenderse cascotes y causar heridas a otras personas.

5.3.5 Equipo de seguridad personal



El usuario y las personas que se encuentren en las inmediaciones de la zona de uso de la herramienta deberán llevar gafas protectoras, casco de protección, protección para los oídos, guantes de protección y una mascarilla ligera homologados según la norma ANSI Z87.1.

6 Puesta en servicio



6.1 Montaje y ajuste de la empuñadura lateral 2

1. Extraiga el enchufe de red de la toma de corriente.
2. Abra el soporte de la empuñadura lateral girando la empuñadura.
3. Desplace la empuñadura lateral (banda de sujeción) a través del portaútiles hacia el vástago.
4. Gire la empuñadura lateral hasta la posición deseada.
5. **PRECAUCIÓN Asegúrese de que la banda de sujeción esté situada en la ranura de la herramienta prevista para tal fin.**
Gire la empuñadura lateral para fijarla.

6.2 Montaje del tope de profundidad (opcional)

1. Abra el soporte de la empuñadura lateral girando la empuñadura.
2. Desplace el tope de profundidad hacia abajo por el soporte (banda de sujeción) de la empuñadura lateral hasta los dos agujeros de guía.
3. Apriete la empuñadura lateral girando el mango, de modo que también se fije el tope de profundidad.

6.3 Activación de la herramienta

Véase el capítulo "Manejo/Protección antirrobo TPS (ATC)".

6.4 Uso de alargadores y generadores o transformadores

Véase el capítulo "Descripción/Usos de alargadores".

7 Manejo



PRECAUCIÓN

La herramienta tiene un par de giro demasiado elevado con respecto a su aplicación. **Utilice la empuñadura**

lateral y sujete la herramienta siempre con ambas manos. En cualquier momento puede producirse un bloqueo inesperado de la herramienta, por tanto debe estar preparado.

PRECAUCIÓN

Asegúrese de que el interruptor selector esté siempre ajustado en la función debida.

PRECAUCIÓN

Fije las piezas de trabajo sueltas con un dispositivo de sujeción o un tornillo de banco.

PRECAUCIÓN

Compruebe antes de cada uso si la herramienta presenta algún daño o desgaste irregular.

7.1 Preparación

PRECAUCIÓN

Utilice guantes de protección para cambiar de útil, ya que éste se calienta debido al uso.

7.1.1 Ajuste del tope de profundidad

1. Abra el tornillo del tope de profundidad.
2. Coloque el tope a la profundidad de perforación deseada.
3. Apriete el tornillo del tope de profundidad.

7.1.2 Inserción del útil **3**

1. Extraiga el enchufe de red de la toma de corriente.
2. Compruebe si el extremo de inserción del útil está limpio y ligeramente engrasado. Límpielo y engráselo en caso necesario.
3. Compruebe que la falda de obturación de la tapa de protección contra polvo está limpia y en perfecto estado. En caso necesario, limpie la tapa de protección contra polvo o reemplácela en caso de que la falda de obturación esté dañada.
4. Inserte el útil en el portaútiles y gírelo ejerciendo una leve presión hasta que se enclave en las ranuras de la inserción.
5. Inserte el útil en el portaútiles. Debe oírse un clic al encajar.
6. Tire del útil para comprobar que está encajado.

7.1.3 Extracción del útil **4**

1. Extraiga el enchufe de red de la toma de corriente.
2. Abra el portaútiles retirando el bloqueo del útil.
3. Extraiga la herramienta del portaútiles.

7.2 Funcionamiento



PRECAUCIÓN

Durante el trabajo pueden desprenderse virutas de material. **Utilice gafas de protección, guantes protectores y, si no utiliza aspiración de polvo, una mascarilla ligera.** El material que sale disparado puede ocasionar lesiones en los ojos y en el cuerpo.

PRECAUCIÓN

Durante el proceso de trabajo se genera ruido. **Utilice protección para los oídos.** Un ruido demasiado potente puede dañar los oídos.

PRECAUCIÓN

Efectúe pausas durante el trabajo, así como ejercicios de relajación y estiramiento de los dedos para mejorar la circulación.

7.2.1 Protección antirrobo TPS (ATC)

INDICACIÓN

La herramienta ATC puede equiparse opcionalmente con la función de protección antirrobo TPS. Si la herramienta está equipada con esta función, necesitará la llave de activación correspondiente para activarla y manejarla.

7.2.1.1 Activación de la herramienta **5**

1. Inserte el enchufe de red en la toma de corriente. El diodo amarillo de la protección antirrobo parpadea. La herramienta está lista para recibir la señal de la llave de activación.
2. Coloque la llave de activación directamente en el símbolo del cerrojo. En cuanto se apague el diodo amarillo de la protección antirrobo, la herramienta estará activada.

INDICACIÓN Si se interrumpe la alimentación eléctrica, por ejemplo, al cambiar de lugar de trabajo o al producirse un corte en la red eléctrica, la operatividad de la herramienta se mantiene durante aprox. 20 minutos. En caso de interrupciones más prolongadas, la herramienta debe activarse de nuevo mediante la llave de activación.

7.2.1.2 Activación de la función de protección antirrobo para la herramienta

INDICACIÓN

Consulte "Protección antirrobo" en el manual de instrucciones para una información más detallada acerca de la activación y aplicación de la protección antirrobo.

7.2.2 Taladrado con martillo **6**

INDICACIÓN

Procedimiento para trabajar a bajas temperaturas: la herramienta requiere una temperatura de funcionamiento mínima para que funcione el mecanismo de percusión. Para alcanzar la temperatura mínima de funcionamiento, deposite la herramienta sobre la base y deje que marche en vacío durante un breve espacio de tiempo. Repita el proceso las veces que sea necesario hasta que el mecanismo de percusión funcione.

1. Sitúe el interruptor selector de funciones en la posición "Taladrar con martillo" hasta que encaje. El interruptor selector de funciones no debe accionarse durante el funcionamiento.
2. Coloque la empuñadura lateral en la posición deseada y asegúrese de que esté correctamente montada y fijada conforme a las prescripciones.
3. Inserte el enchufe de red en la toma de corriente.

4. Ajuste la potencia de taladrado (opcional).
INDICACIÓN Cuando se conecta el enchufe en la toma de corriente, la herramienta está siempre ajustada a la potencia de taladrado máxima.
INDICACIÓN Para ajustar la potencia de taladrado a la mitad, presione la tecla "Media potencia" y el indicador de la capacidad de perforación se iluminará. Para restablecer de nuevo la máxima potencia, vuelva a pulsar la tecla "Media potencia".
5. Sitúe la herramienta con la broca en el punto de perforación deseado.
6. Pulse lentamente el conmutador de control (trabaje con una velocidad reducida hasta que la broca se haya centrado en el orificio).
7. Pulse completamente el conmutador de control para seguir trabajando con toda la potencia.
8. No aplique una presión excesiva, pues no repercuta en el aumento de la potencia de percusión. Si aplica menos presión, la durabilidad del útil se verá beneficiada.
9. Para evitar que se desprenda material al taladrar, deberá reducir la velocidad justo antes del taladrado.

7.2.3 Active Torque Control (TE 60-ATC)

La herramienta está equipada con el sistema ATC (Active Torque Control) para ofrecer un acoplamiento mecánico de retención. Este sistema ofrece un confort superior en la zona de perforación gracias a la función de desconexión rápida en caso de movimiento giratorio repentino de la herramienta alrededor del eje, tal como sucede, por ejemplo, cuando la broca se atasca a causa de impactos de refuerzo o de un bloqueo involuntario de la herramienta. Si el sistema ATC se activa, vuelva a poner en marcha la herramienta soltando el conmutador de control y accionándolo de nuevo, después de que el motor se haya detenido (un «clic» audible indica que la herramienta está lista para el uso). Elija siempre una posición de trabajo en la que la herramienta pueda girar libremente en dirección contraria a las agujas del reloj (respecto al usuario). En caso contrario, el sistema ATC no puede reaccionar.

7.2.4 Cincelar **7**

INDICACIÓN

El cincel posee 24 posiciones de ajuste diferentes (en intervalos de 15°). De este modo, siempre se adopta la mejor posición en los trabajos con cincel plano y cincel de perfilar.

PRECAUCIÓN

No trabaje en la posición "Colocar cincel".

1. Para posicionar el cincel, sitúe el interruptor selector de funciones en la posición "Colocar cincel" hasta que encaje.
2. Coloque la empuñadura lateral en la posición deseada y asegúrese de que esté correctamente montada y fijada conforme a las prescripciones.

3. Gire el cincel hasta alcanzar la posición deseada.
4. Para bloquear el cincel, sitúe el interruptor selector de funciones en la posición "Cincelar" hasta que encaje. El interruptor selector de funciones no debe accionarse durante el funcionamiento.
5. Para cincelar, inserte el enchufe de red en la toma de corriente.
6. Ajuste la potencia de cincelado (ATC).
INDICACIÓN Cuando se conecta el enchufe en la toma de corriente, la herramienta está siempre ajustada a la potencia de cincelado máxima.
INDICACIÓN Para ajustar la potencia de cincelado a la mitad, presione la tecla "Media potencia" y el indicador de la capacidad de cincelado se iluminará. Para restablecer de nuevo la máxima potencia, vuelva a pulsar la tecla "Media potencia".
7. Sitúe la herramienta con el cincel en el punto de cincelado deseado.
8. Pulse completamente el conmutador de control.

7.2.5 Taladrado sin percusión

Se puede taladrar sin percusión con útiles que presenten un extremo de inserción especial. Hilti ofrece en su programa útiles de este tipo. Con el alojamiento de cierre rápido se pueden, por ejemplo, fijar brocas para madera o brocas para acero con vástagos cilíndricos y taladrar sin percusión. El interruptor selector de funciones debe estar bloqueado en la posición "Taladrar con martillo".

7.2.6 Bloqueo del conmutador de control **8**

En el modo de cincelar, el conmutador de control puede bloquearse en estado conectado.

1. Desplace hacia delante el bloqueo del conmutador de control encima de la empuñadura.
2. Pulse completamente el conmutador de control. Ahora la herramienta se encuentra en modo de marcha continua.
3. Para restablecer la configuración anterior desplace el bloqueo del conmutador de control hacia atrás. La herramienta se desconecta.

7.2.7 Mezclado

1. Sitúe el interruptor selector de funciones en la posición "Taladrar con martillo" hasta que encaje.
2. Inserte el alojamiento de cierre rápido en el portaútiles.
3. Inserte la herramienta agitadora.
4. Tire del útil para comprobar que está encajado.
5. Coloque la empuñadura lateral en la posición deseada y asegúrese de que esté correctamente montada y fijada conforme a las prescripciones.
6. Inserte el enchufe de red en la toma de corriente.
7. Mantenga la herramienta agitadora en el depósito que contiene el material que desee mezclar.
8. Pulse lentamente el conmutador de control para iniciar el proceso de mezclado.
9. Pulse completamente el conmutador de control para seguir trabajando con toda la potencia.
10. Cuando maneje la herramienta agitadora, evite que el material salga despedido.

8 Cuidado y mantenimiento

PRECAUCIÓN

Extraiga el enchufe de red de la toma de corriente.

8.1 Cuidado de las herramientas y las piezas de metal

Frote la superficie de útiles y portaútiles de vez en cuando con un trapo empapado en aceite para eliminar la suciedad fuertemente adherida y protegerla de la corrosión.

8.2 Cuidado de la herramienta

PRECAUCIÓN

Mantenga la herramienta seca, limpia y libre de aceite y grasa, en especial las superficies de la empuñadura.

8.3 Indicador de funcionamiento

INDICACIÓN

La herramienta está equipada con un indicador de funcionamiento.

El indicador	se enciende en rojo	Se ha agotado el tiempo de funcionamiento para un servicio. Desde el momento en que se enciende este indicador solo se podrá seguir trabajando durante algunas horas hasta que se active la desconexión automática. Lleve puntualmente la herramienta al servicio técnico de Hilti para que esté siempre a punto.
	parpadea en rojo	Véase el capítulo "Localización de averías".

8.4 Mantenimiento

ADVERTENCIA

La reparación de los componentes eléctricos solo puede llevarla a cabo un técnico electricista cualificado.

Compruebe regularmente que ninguna de las partes exteriores de la herramienta esté dañada y que todos los elementos de manejo se encuentren en perfecto estado de funcionamiento. No use la herramienta si alguna parte

No utilice productos de limpieza que contengan silicona.

La carcasa exterior de la herramienta está fabricada en plástico resistente a los golpes. La empuñadura es de un material elastómero.

No utilice nunca la herramienta si esta tiene obstruidas las ranuras de ventilación. Límpielas cuidadosamente con un cepillo seco. Evite la penetración de cuerpos extraños en el interior de la herramienta. Limpie regularmente el exterior de la herramienta con un paño ligeramente humedecido. No utilice pulverizadores, aparatos de chorro de vapor o agua corriente para la limpieza, ya que podría afectar a la seguridad eléctrica de la herramienta.

está dañada o si alguno de los elementos de manejo no funciona correctamente. Encargue la reparación de la herramienta al servicio técnico de Hilti.

8.5 Control después de las tareas de cuidado y mantenimiento

Una vez realizados los trabajos de cuidado y mantenimiento debe comprobarse si están colocados todos los dispositivos de protección y si estos funcionan correctamente.

9 Localización de averías

Fallo	Posible causa	Solución
La herramienta no se pone en marcha.	Suministro de corriente interrumpido.	Enchufe otra herramienta eléctrica y compruebe si funciona.
	Cable de red o enchufe defectuosos.	Encargue la revisión a un técnico cualificado y su sustitución en caso necesario.
	Generador con modo de reposo.	Aplique una carga al generador utilizando un segundo consumidor (p.ej., una lámpara de obras). A continuación, desconecte la herramienta y vuelva a conectarla.

Fallo	Posible causa	Solución
La herramienta no se pone en marcha.	Otros fallos eléctricos.	Encargue la revisión a un técnico cualificado.
	El bloqueo de arranque electrónico permanece activo después de una interrupción de la alimentación de corriente.	Desconecte la herramienta y vuelva a conectarla.
	Conmutador de control averiado.	Encargue la revisión a un técnico cualificado y su sustitución en caso necesario.
Sin percusión.	La herramienta está demasiado fría.	Asegúrese de que la herramienta alcanza la temperatura de servicio mínima. Véase el capítulo: 7.2.2 Taladrado con martillo G
La herramienta no se pone en marcha y el indicador de color rojo parpadea.	Existe un fallo en la herramienta.	Encargue la reparación de la herramienta al servicio técnico de Hilti.
La herramienta no se pone en marcha y el indicador de color rojo está encendido.	Carbón desgastado.	Encargue la revisión a un técnico cualificado y su sustitución en caso necesario.
La herramienta no se pone en marcha y el indicador de color amarillo parpadea.	La herramienta no está activada (en herramientas con protección anti-roboto, ATC).	Active la herramienta con la llave de activación.
La herramienta no desarrolla toda la potencia.	El alargador es demasiado largo y/o no tiene la sección transversal suficiente.	Utilice un alargador con una longitud permitida y/o con una sección transversal suficiente.
	Conmutador de control no pulsado por completo.	Presione el conmutador de control hasta el tope.
	Tecla "Media potencia" encendida (ATC).	Pulse la tecla "Media potencia".
	La tensión de la alimentación de corriente es muy baja.	Conecte la herramienta a otra alimentación de corriente.
La broca no gira.	El interruptor selector de funciones no está bien encajado o se encuentra en la posición "Cincelar" o "Colocar cincel".	Sitúe el interruptor selector de funciones con la herramienta parada en la posición "Taladrar con martillo".
La broca/el cincel no se puede desbloquear.	Portaútiles parcialmente retirado.	Retire el bloqueo de herramienta hasta el tope y extraiga la herramienta.
	La empuñadura lateral no está montada correctamente.	Afíje la empuñadura lateral y móntela correctamente de manera que la banda de sujeción y la empuñadura lateral queden encajadas en la entalladura.

10 Reciclaje



Gran parte de las herramientas Hilti están fabricadas con materiales reutilizables. La condición para dicha reutilización es una separación de materiales adecuada. En muchos países, Hilti ya dispone de un servicio de recogida de la herramienta usada. Póngase en contacto con el servicio de atención al cliente de Hilti o con su asesor de ventas.

11 Garantía del fabricante de las herramientas

Hilti garantiza la herramienta suministrada contra todo fallo de material y de fabricación. Esta garantía se otorga a condición de que la herramienta sea utilizada, manejada, limpiada y revisada en conformidad con el manual de instrucciones de Hilti, y de que el sistema técnico sea salvaguardado, es decir, que se utilicen en la herramienta exclusivamente consumibles, accesorios y piezas de recambio originales de Hilti.

Esta garantía abarca la reparación gratuita o la sustitución sin cargo de las piezas defectuosas durante toda la vida útil de la herramienta. La garantía no cubre las piezas sometidas a un desgaste normal.

Quedan excluidas otras condiciones que no sean las expuestas, siempre que esta condición no sea contraria a las prescripciones nacionales vigentes.

Hilti no acepta la responsabilidad especialmente en relación con deterioros, pérdidas o gastos directos, indirectos, accidentales o consecutivos, en relación con la utilización o a causa de la imposibilidad de utilización de la herramienta para cualquiera de sus finalidades. Quedan excluidas en particular todas las garantías tácitas relacionadas con la utilización y la idoneidad para una finalidad precisa.

Para toda reparación o recambio, les rogamos que envíen la herramienta o las piezas en cuestión a la dirección de su organización de venta Hilti más cercana inmediatamente después de la constatación del defecto.

Estas son las únicas obligaciones de Hilti en materia de garantía, las cuales anulan toda declaración anterior o contemporánea, del mismo modo que todos los acuerdos orales o escritos en relación con las garantías.

es

Martelo combinado TE 60 / TE 60-ATC

Antes de utilizar a ferramenta, por favor leia atentamente o manual de instruções.

Conserve o manual de instruções sempre junto da ferramenta.

Entregue a ferramenta a outras pessoas apenas juntamente com o manual de instruções.

Índice	Página
1 Informações gerais	39
2 Descrição	40
3 Ferramentas, acessórios, consumíveis	42
4 Características técnicas	43
5 Normas de segurança	43
6 Antes de iniciar a utilização	46
7 Utilização	46
8 Conservação e manutenção	49
9 Avarias possíveis	49
10 Reciclagem	50
11 Garantia do fabricante - Ferramentas	51

1 Estes números referem-se a figuras. Estas encontram-se nas contracapas desdobráveis. Ao ler as instruções, mantenha as contracapas abertas.

Neste manual de instruções, a palavra «ferramenta» refere-se sempre ao martelo combinado TE 60/TE 60-ATC.

Componentes, comandos operativos e elementos de indicação 1

- ① Mandril
- ② Selector de funções
- ③ Interruptor on/off
- ④ Cabo de rede
- ⑤ Punho auxiliar
- ⑥ Limitador de profundidade (opcional)
- ⑦ Indicador de manutenção
- ⑧ Indicador de protecção anti-roubo (opcional)
- ⑨ Bloqueio do interruptor on/off
- ⑩ Indicador de meia potência (opcional)
- ⑪ Botão para meia potência (opcional)

pt

1 Informações gerais

1.1 Indicações de perigo e seu significado

PERIGO

Indica perigo iminente que pode originar acidentes pessoais graves ou até mesmo fatais.

AVISO

Indica uma situação potencialmente perigosa que pode causar graves ferimentos pessoais, até mesmo fatais.

CUIDADO

Indica uma situação potencialmente perigosa que pode originar ferimentos ligeiros ou danos na ferramenta ou noutros materiais.

NOTA

Indica instruções ou outras informações úteis.

1.2 Significado dos pictogramas e outras notas

Sinais de aviso



Perigo geral



Perigo: electricidade



Perigo: superfície quente

Sinais de obrigação



Use óculos de protecção



Use capacete de segurança



Use protecção auricular



Use luvas de protecção



Use máscara antipoeiras

Símbolos



Leia o manual de instruções antes de utilizar a ferramenta.



Recicle os desperdícios



Perfurar de martelo



Cinzelar



Posicionar o cinzel



Volt



Ampere



Corrente alternada



Hertz



Velocidade nominal de rotação sem carga



Rotações por minuto



Rotações por minuto



Diâmetro



com duplo isolamento



Equipado com sistema de protecção anti-roubo



Símbolo de bloqueio

Localização da informação na ferramenta

A referência consta na placa de características, enquanto o número de série figura no lado da carcaça do motor. Anote estes dados no seu manual de instruções e faça referência a estas indicações sempre que necessitar de qualquer peça/acessório para a ferramenta.

Tipo:

Geração: 03

Número de série:

2 Descrição

2.1 Utilização correcta

A ferramenta é um martelo combinado eléctrico com mecanismo electropneumático de percussão. A função ATC da TE 60-ATC (Active Torque Control) oferece ao utilizador um conforto adicional durante os trabalhos de perfuração.

A ferramenta foi concebida para perfurar betão, alvenaria, metal e madeira, e também pode ser utilizada para trabalhos de cinzelamento.

A ferramenta está equipada com uma protecção electrónica contra sobrecarga. Em caso de sobrecarga permanente da ferramenta, a velocidade é reduzida de forma automática e o motor pára mesmo em caso de necessidade. Se se soltar e voltar a pressionar o interruptor on/off, o motor atinge de imediato plena potência. No rearranque, deve por isso ter-se atenção que a ferramenta seja segura de forma adequada com as duas mãos.

Em determinadas condições, a ferramenta pode ser utilizada como agitador (ver Ferramentas, acessórios e Utilização).

A ferramenta foi concebida para uso profissional e só deve ser utilizada, feita a sua manutenção e reparada por pessoal autorizado e devidamente credenciado. Estas pessoas deverão ser informadas sobre os potenciais perigos que a ferramenta representa. A ferramenta e seu equipamento auxiliar podem representar perigo se usados incorrectamente por pessoas não qualificadas ou se usados para fins diferentes daqueles para os quais foram concebidos.

Materiais nocivos para a saúde (p. ex., amianto) não podem ser trabalhados.

A ferramenta é apropriada para trabalhar em obra, em oficina, em trabalhos de renovação, reconstrução e construção de raiz.

A ferramenta só deve ser utilizada em ambiente seco.

Considere as influências ambientais. Não utilize a ferramenta onde possa existir risco de incêndio ou explosão.

Certifique-se de que a corrente eléctrica à qual a ferramenta é ligada está de acordo com a mencionada na placa de características.

Leia as instruções contidas neste manual sobre utilização, conservação e manutenção da ferramenta. Para evitar ferimentos/danos, use apenas acessórios e equipamento auxiliar Hilti. Não é permitida a modificação ou manipulação da ferramenta.

2.2 Mandril

Mandril de encaixe de substituição rápida TE-Y (SDS max.) TE 60/TE 60-ATC

2.3 Interruptores

Interruptor electrónico para perfurar/cinzelar (com função de arranque suave)
Selector de funções para: perfurar de martelo, função de cinzel, função de ajuste do cinzel (24 ajustes)
Seleção de plena ou meia potência (ATC)
No modo de cinzelamento, interruptor on/off bloqueável

2.4 Punhos

Punho auxiliar ajustável com absorção de vibrações
Punho com absorção de vibrações (ATC)

2.5 Dispositivo de protecção

Embraiagem mecânica
Bloqueio electrónico para prevenir o arranque involuntário da ferramenta depois de uma interrupção de corrente (consultar o capítulo "Avarias possíveis").
ATC "Active Torque Control" (TE 60-ATC)

2.6 Lubrificação

Caixa de engrenagem e mecanismo de percussão com câmaras de lubrificação separadas

2.7 Redução Activa da Vibração (ATC)

A ferramenta está equipada com um sistema de "Redução Activa da Vibração" (Active Vibration Reduction, AVR) que reduz significativamente a vibração em comparação com o valor sem AVR.

2.8 Sistema de protecção anti-roubo TPS (ATC)

A ferramenta está preparada para a instalação da função "Protecção anti-roubo TPS" como opção. Se a ferramenta estiver equipada com esta função, só pode ser activada e preparada para ser utilizada através da respectiva chave de activação.

2.9 Indicadores luminosos

Luz indicadora de manutenção (consultar o capítulo "Conservação e manutenção/Indicador de manutenção")
Indicador da protecção anti-roubo (ATC) (consultar o capítulo "Utilização/Sistema de protecção anti-roubo TPS (opcional)")
Indicador de meia potência (consultar o capítulo "Utilização/Perfurar de martelo/Cinzelar")

2.10 Incluído no fornecimento

- 1 Ferramenta com punho auxiliar
- 1 Massa lubrificante
- 1 Pano de limpeza
- 1 Manual de instruções
- 1 Mala Hilti

2.11 Utilização de extensões de cabo

Utilize apenas extensões de cabo aprovadas para o tipo de aplicação em causa e com a secção adequada. A inobservância desta recomendação pode resultar numa perda de potência da ferramenta e no sobreaquecimento do cabo. Examine o cabo periodicamente em relação a eventuais danos. Substitua os cabos de extensão danificados.

Secções de cabo mínimas e comprimentos máximos recomendados

Secção do cabo	14 AWG	12 AWG
Tensão de rede 110-120 V	50 ft	100 ft

Não utilize extensões de cabo com secções de 16 AWG.

2.12 Utilização de extensões eléctricas em trabalhos de exterior

Em trabalhos de exterior, utilize apenas extensões de cabo com secção apropriada e correspondentemente indicadas.

2.13 Utilização de um gerador ou transformador

Esta ferramenta pode ser alimentada por um gerador ou transformador se as seguintes condições forem reunidas: potência de saída, em watt, no mínimo o dobro da potência indicada na placa de características da ferramenta, a tensão em carga deverá estar entre os +5% e os -15% da tensão nominal e a frequência deverá estar entre 50 e 60 Hz, mas nunca superior a 65 Hz. Deve utilizar-se um regulador automático de tensão com arrancador.

O gerador ou transformador nunca deve ser usado para alimentar outros equipamentos em simultâneo. Ligar outras ferramentas ou dispositivos pode provocar variações na voltagem (falha ou sobrecarga), causando danos na ferramenta.

3 Ferramentas, acessórios, consumíveis

Designação	Sigla	Descrição
Brocas perfuradoras	TE 60/TE 60-ATC	∅ 12...40 mm (1/2"...1 9/16")
Brocas para atravessamentos	TE 60/TE 60-ATC	∅ 40...80 mm (1 9/16"...3 1/8")
Coroa para perfurar com percussão	TE 60/TE 60-ATC	∅ 45...100 mm (1 3/4"...4")
Coroa diamantada de perfuração PCM	TE 60-ATC	∅ 42...102 mm (1 1/2"...4")
Cinzéis	TE 60 / TE 60-ATC	Cinzéis pontiagudos, planos e côncavos com encabadouro TE-Y
Brocas para madeira		∅ 10...32 mm (3/8"...1 1/4")
Brocas para metal		∅ Máx. 20 mm (13/16")

Designação	Sigla	Código do artigo, descrição
Punho auxiliar completo		
Limitador de profundidade completo		2021281
Utensílios de assentamento	TE 60 / TE 60-ATC	Utensílios de assentamento com encabadouro TE-Y
Porta-mandril	TE FY-BA-C	Adaptador
Sistema de protecção anti-roubo TPS (Theft Protection System) com cartão de identificação da empresa, controlo remoto e chave de activação TPS-K		206999, opcional
Mandril de aperto rápido		para brocas para madeira e metal com encabadouro cilíndrico ou sextavado
Agitador para materiais não inflamáveis com encabadouro cilíndrico ou sextavado		∅ 80...120 mm (3"...4 3/4")
Sistema de remoção de pó	TE DRS-B, TE DRS-S, TE DRS-BK	

A TE 60 (3) destina-se à aplicação de fixações de corte interior HDA utilizando os utensílios de assentamento indicados

Tamanho	galvanizado zincado	HDA-P, HDA-T, galvanizado zincado	HDA-PF, HDA-TF, sherardizado	HDA-PR, HDA-TR, inoxidável	Utensílios de assenta- mento
M 10	x	x	x	x	TE-Y-HDA-ST 20 M10
M 12	x	x	x	x	TE-Y-HDA-ST 22 M12

pt

4 Características técnicas

Reservamo-nos o direito de proceder a alterações técnicas!

NOTA

A ferramenta está disponível em versões com várias tensões nominais. Verifique sempre a informação inscrita na placa de características da ferramenta.

Ferramenta	TE 60/TE 60-ATC
Tensão nominal	120 V
Corrente nominal	12,8 A
Frequência	60 Hz
Peso da TE 60	6,4 kg (14,11 lb)
Peso da TE 60-ATC	7,5 kg (16,53 lb)
Dimensões (C x L x A) TE 60	480 mm (18,9") x 115 mm (4,53") x 274 mm (10,79")
Dimensões (C x L x A) TE 60-ATC	490 mm (19,29") x 115 mm (4,53") x 293 mm (11,54")
Velocidade ao perfurar de martelo	350/min
Energia de impacto (plena potência)	7,3 J
Energia de impacto (meia potência) TE 60-ATC	3,6 J

Outras informações sobre a ferramenta

Mandril TE 60/TE 60-ATC	TE-Y
Classe de protecção	Classe II de protecção (com duplo isolamento) ou classe I de protecção (ver placa de características)

5 Normas de segurança

NOTA

As Normas de segurança no capítulo 5.1 contêm todas as normas gerais de segurança para ferramentas eléctricas, que, de acordo com as normas aplicáveis, devem ser indicadas no manual de instruções. Por conseguinte, podem estar incluídas indicações que não são relevantes para esta ferramenta.

5.1 Normas de segurança gerais para ferramentas eléctricas

- a)  **AVISO**

Leia todas as normas de segurança e instruções. O não cumprimento das normas de segurança e ins-

truções pode resultar em choque eléctrico, incêndio e/ou lesões graves. **Guarde bem todas as normas de segurança e instruções para futura referência.** O termo "ferramenta eléctrica" utilizado nas normas de segurança refere-se a ferramentas com ligação à corrente eléctrica (com cabo de alimentação) ou ferramentas a bateria (sem cabo).

5.1.1 Segurança no posto de trabalho

- Mantenha a sua área de trabalho limpa e bem iluminada.** Locais desarrumados ou mal iluminados podem ocasionar acidentes.
- Não utilize a ferramenta eléctrica em ambientes explosivos ou na proximidade de líquidos ou ga-**

ses inflamáveis.Ferramentas eléctricas produzem faíscas que podem provocar a ignição de pó e vapores.

- c) **Mantenha crianças e terceiros afastados durante os trabalhos.**Distracções podem conduzir à perda de controlo sobre a ferramenta.

5.1.2 Segurança eléctrica

- a) **A ficha da ferramenta eléctrica deve servir na tomada. A ficha não deve ser modificada de modo algum. Não utilize quaisquer adaptadores com ferramentas eléctricas com ligação terra.**Fichas originais (não modificadas) e tomadas adequadas reduzem o risco de choque eléctrico.
- b) **Evite o contacto do corpo com superfícies ligadas à terra, como, por exemplo, canos, radiadores, fogões e frigoríficos.** Existe um risco elevado de choque eléctrico se o corpo estiver em contacto com a terra.
- c) **As ferramentas eléctricas não devem ser expostas à chuva nem à humidade.**A infiltração de água numa ferramenta eléctrica aumenta o risco de choque eléctrico.
- d) **Não use o cabo para transportar, arrastar ou desligar a ferramenta eléctrica da tomada. Mantenha o cabo afastado de calor, óleo, arestas vivas ou partes em movimento da ferramenta.**Cabos danificados ou emaranhados aumentam o risco de choque eléctrico.
- e) **Quando operar uma ferramenta eléctrica ao ar livre, utilize apenas cabos de extensão próprios para utilização no exterior.**A utilização de cabos de extensão próprios para exterior reduz o risco de choque eléctrico.
- f) **Utilize um disjuntor diferencial se não puder ser evitada a utilização da ferramenta eléctrica em ambiente húmido.** A utilização e um disjuntor diferencial reduz o risco de choque eléctrico.

5.1.3 Segurança física

- a) **Esteja alerta, observe o que está a fazer, e tenha prudência ao trabalhar com uma ferramenta eléctrica. Não use qualquer ferramenta eléctrica se estiver cansado ou sob a influência de drogas, álcool ou medicamentos.**Um momento de distração ao operar a ferramenta eléctrica pode causar ferimentos graves.
- b) **Use equipamento de segurança. Use sempre óculos de protecção.**Equipamento de segurança, como, por exemplo, máscara antipoeiras, sapatos de segurança antiderrapantes, capacete de segurança ou protecção auricular, de acordo com o tipo e aplicação da ferramenta eléctrica, reduzem o risco de lesões.
- c) **Evite um arranque involuntário. Assegure-se de que a ferramenta eléctrica está desligada antes de a ligar à fonte de alimentação e/ou à bateria, pegar nela ou a transportar.**Transportar a ferramenta eléctrica com o dedo no interruptor ou ligar uma ferramenta à tomada com o interruptor ligado (ON) pode resultar em acidentes.

- d) **Remova quaisquer chaves de ajuste (chaves de fenda), antes de ligar a ferramenta eléctrica.**Um acessório ou chave deixado preso numa parte rotativa da ferramenta pode causar ferimentos.
- e) **Evite posturas corporais desfavoráveis. Mantenha sempre uma posição correcta, em perfeito equilíbrio.**Desta forma será mais fácil manter o controlo sobre a ferramenta eléctrica em situações inesperadas.
- f) **Use roupa apropriada. Não use roupa larga ou jóias. Mantenha o cabelo, vestuário e luvas afastados das peças móveis.**Roupas largas, jóias ou cabelos compridos podem ficar presos nas peças móveis.
- g) **Se poderem ser montados sistemas de aspiração e de recolha de pó, assegure-se de que estão ligados e são utilizados correctamente.**A utilização de um sistema de remoção de pó pode reduzir os perigos relacionados com a exposição ao mesmo.

5.1.4 Utilização e manuseamento da ferramenta eléctrica

- a) **Não sobrecarregue a ferramenta. Use para o seu trabalho a ferramenta eléctrica correcta.**Com a ferramenta eléctrica adequada obterá maior eficiência e segurança se respeitar os seus limites.
- b) **Não utilize a ferramenta eléctrica se o interruptor estiver defeituoso.**Uma ferramenta eléctrica que já não possa ser accionada pelo interruptor é perigosa e deve ser reparada.
- c) **Retire a ficha da tomada e/ou remova a bateria antes de efectuar ajustes na ferramenta, substituir acessórios ou guardar a ferramenta eléctrica.**Esta medida preventiva evita o accionamento accidental da ferramenta eléctrica.
- d) **Guarde ferramentas eléctricas não utilizadas fora do alcance das crianças. Não permita que a ferramenta seja utilizada por pessoas não qualificadas ou que não tenham lido estas instruções.**Ferramentas eléctricas operadas por pessoas não treinadas são perigosas.
- e) **Faça uma manutenção regular das ferramentas eléctricas. Verifique se as partes móveis funcionam perfeitamente e não emperram ou se há peças quebradas ou danificadas que possam influenciar o funcionamento da ferramenta eléctrica. Peças danificadas devem ser reparadas antes da utilização da ferramenta.**Muitos acidentes são causados por ferramentas eléctricas com manutenção deficiente.
- f) **Mantenha as ferramentas de corte sempre afiadas e limpas.**Ferramentas de corte com gumes afiados tratadas correctamente emperram menos e são mais fáceis de controlar.
- g) **Utilize a ferramenta eléctrica, acessórios, bits, etc., de acordo com estas instruções. Tome também em consideração as condições de trabalho e o trabalho a ser efectuado.**A utilização da ferramenta eléctrica para outros fins além dos previstos, pode ocasionar situações de perigo.

5.1.5 Reparação

- a) **A sua ferramenta eléctrica só deve ser reparada por pessoal qualificado e só devem ser utilizadas peças sobressalentes originais.** Isto assegurará que a segurança da ferramenta eléctrica se mantenha.

5.2 Normas de segurança para martelos

- a) **Use protecção auricular.** Ruído em excesso pode levar à perda de audição.
- b) **Utilize os punhos auxiliares fornecidos com a ferramenta.** A perda de controlo da ferramenta pode causar ferimentos.
- c) **Segure a ferramenta pelas áreas isoladas dos punhos, quando executar trabalhos onde o acessório pode encontrar cabos eléctricos encobertos ou o próprio cabo de rede.** O contacto com um cabo sob tensão também pode colocar partes metálicas da ferramenta sob tensão e causar um choque eléctrico.

5.3 Normas de segurança adicionais

5.3.1 Segurança física

- a) **Segure a ferramenta sempre com as duas mãos nos punhos previstos para o efeito. Mantenha os punhos secos, limpos e isentos de óleos e massas.**
- b) **Se a ferramenta for utilizada sem o sistema de remoção de pó, é indispensável colocar uma máscara antipoeiras.**
- c) **Faça pausas para relaxar os músculos e melhorar a circulação sanguínea nas mãos.**
- d) **Evite o contacto com peças rotativas. Ligue a ferramenta apenas quando estiver no local de trabalho.** O contacto com peças rotativas, nomeadamente brocas, discos, lâminas, etc. pode causar ferimentos.
- e) **Durante o trabalho, mantenha o cabo de alimentação e a extensão sempre na parte de trás da ferramenta.** Evita assim tropeçar no cabo durante os trabalhos.
- f) **Para misturar, coloque o selector de funções na posição “Perfurar de martelo” e use luvas de protecção.**
- g) **Deve ensinar-se às crianças que não podem brincar com a ferramenta.**
- h) **A ferramenta não está concebida para a utilização por crianças ou pessoas debilitadas sem formação.**
- i) **AVISO: Alguns tipos de pó que são produzidos ao desbastar, rebarbar, cortar e furar, contêm agentes químicos conhecidos pelos seus efeitos cancerígenos e teratogénicos, que podem provocar esterilidade e danos permanentes das vias respiratórias ou outros.** Alguns desses agentes químicos são chumbo contido em tinta de chumbo, quartzo cristalino proveniente de tijolos, betão, alvenaria ou pedras naturais, ou, também, arsénico e crómio provenientes de madeira de construção tratada quimicamente. A perigosidade para si varia, consoante

a frequência com que efectua estes trabalhos. Para minimizar a exposição a estes agentes químicos, os utilizadores e terceiros devem trabalhar num espaço bem ventilado, bem como usar equipamentos de segurança apropriados. Use uma máscara antipoeiras adequada para determinados pó, que possa filtrar partículas microscópicas e manter o pó afastado da face e do corpo. Evite o contacto permanente com pó. Use roupa de protecção e lave a área da pele afectada com água e sabão. A absorção de pó através da boca, dos olhos ou o contacto permanente dos pó com a pele pode promover a absorção de agentes químicos com risco de efeitos graves para a saúde.

5.3.2 Utilização e manutenção de ferramentas eléctricas

- a) **Para maior segurança e porque assim fica com ambas as mãos livres para segurar a máquina, use grampos ou um torno para segurar peças soltas.**
- b) **Verifique se os acessórios utilizados são compatíveis com o sistema de encaixe e se estão correctamente encaixados.**

5.3.3 Segurança eléctrica



- a) **Antes de iniciar os trabalhos, verifique o local de trabalho relativamente a cabos eléctricos encobertos, bem como tubos de gás e água, p.ex., com um detector de metais.** Partes metálicas externas da ferramenta podem transformar-se em condutores de corrente se, p.ex., uma linha eléctrica for danificada inadvertidamente. Isto representa um sério perigo de choque eléctrico.
- b) **Verifique o cabo eléctrico regularmente. Se danificado, o cabo deve ser imediatamente substituído por um especialista. Quando o cabo de ligação da ferramenta eléctrica está danificado, deve ser substituído por um cabo de ligação específico, que se encontra disponível através do Serviço de Clientes Hilti. Verifique as extensões de cabo regularmente. Se estiverem danificadas, deverão ser substituídas. Se danificar o cabo enquanto trabalha, não lhe toque e desligue a máquina imediatamente. Desligue a máquina da corrente. Linhas de conexão e extensões danificadas representam um risco de choque eléctrico.**
- c) **Deste modo, as ferramentas utilizadas frequentemente para trabalhar materiais condutores e consequentemente muito sujas, devem ser verificadas num Centro de Assistência Técnica Hilti a intervalos regulares.** Humidade ou sujidade na superfície da ferramenta dificultam o seu manuseio e, sob condições desfavoráveis, podem causar choques eléctricos.
- d) **Se trabalhar com uma ferramenta eléctrica no exterior, certifique-se de que a ferramenta está**

ligada à rede eléctrica por meio de um disjuntor diferencial (GFCl) com uma corrente de disparo de, no máximo, 30 mA. A utilização de um disjuntor diferencial reduz o risco de choque eléctrico.

- e) **Por princípio, recomendamos a utilização de um disjuntor diferencial (GFCl) com uma corrente de disparo de, no máximo, 30 mA.**

5.3.4 Local de trabalho

- a) **Assegure-se de que o local de trabalho está bem ventilado.** Áreas de trabalho mal ventiladas podem suscitar problemas de saúde devido à inalação de pó.
- b) **Ao realizar trabalhos de perfuração, veda a área que se encontra do lado oposto dos trabalhos.** Restos de demolição podem desprender-se e/ou cair e ferir outras pessoas.

5.3.5 Equipamento de protecção pessoal



O utilizador e restantes pessoas que se encontrem na proximidade da ferramenta devem usar óculos de protecção adequados e aprovados em conformidade com a norma ANSI Z87.1, capacete de segurança, protecção auricular, luvas de protecção e máscara antipeirais.

6 Antes de iniciar a utilização



6.1 Colocar e regular o punho auxiliar 2

1. Desligue a máquina da corrente.
2. Abra a abraçadeira de aperto do punho auxiliar, rodando o punho.
3. Faça deslizar a abraçadeira sobre o mandril, na direcção da parte frontal da ferramenta.
4. Regule a posição do punho.
5. **CUIDADO Preste atenção para que a abraçadeira esteja encaixada na ranhura prevista para o efeito na ferramenta.**
Aperte bem o punho auxiliar, rodando-o.

6.2 Montar o limitador de profundidade (opcional)

1. Abra a abraçadeira de aperto do punho auxiliar, rodando o punho.
2. Empurre o limitador de profundidade para dentro dos dois furos de guia, por baixo da fixação (abraçadeira de aperto) do punho auxiliar.
3. Aperte o punho, rodando-o. Ao mesmo tempo é fixado o limitador de profundidade.

6.3 Activar a ferramenta eléctrica

Consultar o capítulo "Utilização/Sistema de protecção anti-roubo TPS (ATC)".

6.4 Utilização de um cabo de extensão e gerador ou transformador

Consultar o capítulo "Descrição/ Utilização de extensões de cabo".

7 Utilização



CUIDADO

A ferramenta possui, em conformidade com as suas aplicações, um torque (binário) elevado. **Utilize a ferramenta com o punho auxiliar e segure-a sempre com ambas as mãos.** O operador tem de estar preparado para a eventualidade de a ferramenta bloquear repentinamente.

CUIDADO

Certifique-se de que está sempre ajustada a função correcta no selector de funções.

CUIDADO

Use grampos ou o torno para segurar peças soltas.

CUIDADO

Verifique o acessório quanto a danos e desgaste irregular antes de cada utilização.

7.1 Preparação da ferramenta

CUIDADO

Ao efectuar a troca de acessórios, calce luvas de protecção, pois estes aquecem durante a utilização.

7.1.1 Ajustar o limitador de profundidade

1. Desaperte o parafuso no limitador de profundidade.

2. Ajuste o limitador à profundidade de perfuração desejada.
3. Aperte o parafuso no limitador de profundidade.

7.1.2 Colocar o acessório 3

1. Desligue a máquina da corrente.
2. Verifique se o encabadouro do acessório está limpo e ligeiramente lubrificado. Caso necessário, limpe e lubrifique o encabadouro.
3. Verifique se o vedante da capa protectora contra pó está limpo e sem defeito. Caso necessário, limpe a capa protectora contra pó ou, se o vedante estiver danificado, mande substituir a capa protectora contra pó.
4. Empurre o acessório para dentro do mandril aplicando alguma pressão e rode-o de forma a que este encaixe nas ranhuras guia.
5. Empurre o acessório para dentro do mandril até que este encaixe de forma audível.
6. Tente puxar o acessório para fora do mandril, verificando assim se está bem fixo.

7.1.3 Retirar o acessório 4

1. Desligue a máquina da corrente.
2. Abra o mandril, puxando para trás o casquilho de bloqueio.
3. Puxe o acessório para fora do mandril.

7.2 Utilização



CUIDADO

O tratamento do material base pode fragmentá-lo. **Use óculos de protecção, luvas de protecção e máscara antipoeiras quando o sistema de aspiração de poeira não for utilizado.** Material fragmentado pode causar ferimentos no corpo e nos olhos.

CUIDADO

No processo de trabalho é produzido ruído. **Use protecção auricular.** Ruído em excesso pode levar à perda de audição.

CUIDADO

Faça pausas para relaxar os músculos e melhorar a circulação sanguínea nas mãos.

7.2.1 Sistema de protecção anti-roubo TPS (ATC)

NOTA

A ferramenta ATC está preparada para a instalação da função "Protecção anti-roubo TPS" como opção. Se a ferramenta estiver equipada com esta função, só pode ser activada e preparada para ser utilizada através da respectiva chave de activação.

7.2.1.1 Activar a ferramenta eléctrica 5

1. Ligue a ferramenta à corrente eléctrica. A luz indicadora amarela do sistema de protecção anti-roubo pisca. A ferramenta está agora pronta para receber o sinal da chave de activação.
2. Coloque a chave de activação junto do símbolo de bloqueio (cadeado). A ferramenta é activada e está pronta para ser utilizada assim que a luz indicadora se tiver apagado.

NOTA Quando se desliga a ferramenta por um curto espaço de tempo, por exemplo, ao mudar de local de trabalho ou em caso de corte de energia, esta mantém-se operacional por, aproximadamente, 20 minutos. Quando a interrupção é mais prolongada, é necessário activar de novo a ferramenta através da chave de activação.

7.2.1.2 Activação da função de protecção anti-roubo para a ferramenta

NOTA

No manual de instruções "Sistema de protecção anti-roubo", poderá encontrar mais informações pormenorizadas relativas à activação e emprego do sistema de protecção anti-roubo.

7.2.2 Perfurar de martelo 6

NOTA

Quando trabalhar em locais com baixas temperaturas: o mecanismo de percussão só funciona quando a ferramenta atinge uma temperatura de funcionamento mínima. Coloque a broca em contacto com o material base e permita que esta "trabalhe em falso" até atingir essa temperatura mínima. Se necessário, repita este procedimento até que o mecanismo de percussão funcione.

1. Rode o selector de funções para a posição "Perfurar de martelo", até engatar. O selector de funções não pode ser operado com a ferramenta em funcionamento.
2. Coloque o punho auxiliar na posição desejada e verifique se está correctamente fixo.
3. Ligue a ferramenta à corrente eléctrica.
4. Ajuste a capacidade de perfuração (opcional).
NOTA Depois de introduzir a ficha na tomada, a ferramenta está sempre ajustada para capacidade de perfuração máxima.
NOTA Para ajustar metade da capacidade de perfuração, pressione o botão "meia potência". O indicador de capacidade de perfuração acende. Voltando a pressionar o botão "meia potência", a ferramenta comuta novamente para a capacidade de perfuração máxima.
5. Coloque a ponta da broca no local onde será efectuado o furo.
6. Pressione o interruptor on/off lentamente. Inicie o furo a baixa velocidade até que a broca esteja centrada.

- Pressione energicamente o interruptor on/off para aumentar a velocidade.
- Não aplique força excessiva sobre a ferramenta; tal procedimento não aumenta a capacidade de percussão. A pressão ligeira (normal) aumenta a vida útil do acessório.
- Quando efectuar um atravessamento, reduza a velocidade pouco antes de a broca varar a peça; caso contrário, o material pode estalar.

7.2.3 Active Torque Control (TE 60-ATC)

Para além da embraiagem mecânica, a ferramenta está equipada com o sistema ATC (Active Torque Control). Este sistema oferece conforto adicional nos trabalhos de perfuração, através da desactivação rápida em caso de rotação súbita da ferramenta em torno do próprio eixo, como poderá ocorrer, por exemplo, no caso em que a broca fique emperrada ao encontrar aço ou o acessório fique inadvertidamente encravado. Quando o sistema ATC tiver disparado, solte e volte a accionar o interruptor on/off, depois de o motor se ter imobilizado por completo (um "clique" sinaliza que a ferramenta se encontra de novo operacional), para voltar a colocar a ferramenta em funcionamento. Escolha sempre uma posição de trabalho em que a ferramenta possa rodar livremente no sentido contrário aos ponteiros do relógio (visto da posição do operador). O sistema ATC não pode actuar se isso não for possível.

7.2.4 Cinzelar **7**

NOTA

O cinzel pode ser fixo em 24 posições diferentes (em incrementos de 15°). Assim, tanto os cinzéis planos como os cinzéis côncavos podem ser ajustados na posição óptima para o trabalho em causa.

CUIDADO

Não trabalhe na posição "Posicionar cinzel".

- Para posicionar o cinzel, rode o selector de funções para a posição "Posicionar cinzel", até engatar.
- Coloque o punho auxiliar na posição desejada e verifique se está correctamente fixo.
- Posicione o cinzel conforme desejado.
- Para bloquear o cinzel, rode o selector de funções para a posição "Cinzelar", até engatar. O selector de funções não pode ser operado com a ferramenta em funcionamento.
- Para cinzelar, ligue a ferramenta à corrente eléctrica.

- Ajuste a capacidade de cinzelamento (ATC).

NOTA Depois de introduzir a ficha na tomada, a ferramenta está sempre ajustada para capacidade de cinzelamento máxima.

NOTA Para ajustar metade da capacidade de cinzelamento, pressione o botão "meia potência". O indicador de capacidade de cinzelamento acende. Voltando a pressionar o botão "meia potência", a ferramenta comuta novamente para a capacidade de cinzelamento máxima.

- Coloque a ponta do cinzel no local desejado sobre a superfície do material.
- Pressione o interruptor completamente.

7.2.5 Perfurar sem percussão

A perfuração sem percussão é possível com ferramentas com encabadoiro específico. A gama de ferramentas Hilti inclui tais ferramentas. Com o mandril de aperto rápido podem fixar-se, por exemplo, brocas para madeira ou aço com encabadoiro cilíndrico e pode furar-se sem percussão. Para o efeito, o selector de funções deve estar engatado na posição "Perfurar de martelo".

7.2.6 Bloqueio do interruptor on/off **8**

No modo de cinzelamento, pode bloquear o interruptor on/off no estado de ligado.

- Empurre o bloqueio do interruptor on/off, em cima no punho, para a frente.
- Pressione o interruptor completamente. A ferramenta encontra-se agora em operação continuada.
- Para repor, empurre o bloqueio do interruptor on/off para a posição inicial. A ferramenta desliga-se.

7.2.7 Agitar

- Rode o selector de funções para a posição "Perfurar de martelo", até engatar.
- Encaixe o mandril de aperto rápido no mandril.
- Coloque o agitador no mandril.
- Tente puxar o acessório para fora do mandril, verificando assim se está bem fixo.
- Coloque o punho auxiliar na posição desejada e verifique se está correctamente fixo.
- Ligue a ferramenta à corrente eléctrica.
- Segure o agitador no recipiente com o produto a agitar.
- Pressione lentamente o interruptor on/off para começar a agitar.
- Pressione energicamente o interruptor on/off para aumentar a velocidade.
- Conduza o agitador de modo a evitar a projecção da mistura.

8 Conservação e manutenção

CUIDADO

Desligue a máquina da corrente.

8.1 Conservação dos acessórios e dos componentes metálicos

Remova quaisquer resíduos aderentes aos acessórios e ao mandril e proteja-os da corrosão, limpando-os, de tempos a tempos, com um pano ligeiramente embebido em óleo.

8.2 Manutenção da ferramenta

CUIDADO

Mantenha a ferramenta, particularmente as superfícies do punho, seca, limpa e isenta de óleos e mas-

sas. Não utilize produtos de limpeza que contenham silicone.

A carcaça exterior da ferramenta é fabricada em plástico resistente a impactos. O punho é feito de uma borracha sintética.

As saídas de ar devem estar sempre limpas e desobstruídas! Limpe as saídas de ar cuidadosamente com uma escova seca. Evite a penetração de corpos estranhos no interior da ferramenta. Limpe regularmente o exterior da ferramenta com um pano ligeiramente húmido. Não utilize qualquer spray, sistema de vapor ou água, pois poderá afectar negativamente a parte eléctrica da ferramenta.

pt

8.3 Indicador de manutenção

NOTA

A ferramenta está equipada com um indicador de manutenção.

Indicador	aceso a vermelho	Foi atingido o tempo de trabalho predefinido e requer-se agora uma manutenção. Depois de a luz acender pela primeira vez, a ferramenta poderá continuar a ser utilizada durante algumas horas de tempo de trabalho efectivo, antes de ser activada a desactivação automática. Envie a sua ferramenta a um Centro de Assistência Técnica Hilti para que seja reparada e esteja pronta a ser usada quando necessário.
	pisca a vermelho	Consultar o capítulo "Avarias possíveis".

8.4 Manutenção

AVISO

As reparações na parte eléctrica apenas podem ser executadas por um electricista especializado.

Examine periodicamente todos os componentes e partes externas da ferramenta prevenindo assim o seu perfeito funcionamento. Não ligue a ferramenta se houver partes

danificadas, incompletas ou se os comandos operativos não estiverem a funcionar correctamente. Nesse caso, mande reparar a ferramenta num Centro de Assistência Técnica Hilti.

8.5 Verificação da ferramenta após manutenção

Após cada manutenção da ferramenta, verifique se todos os dispositivos de segurança estão correctamente montados e perfeitamente operacionais.

9 Avarias possíveis

Falha	Causa possível	Solução
A ferramenta não arranca.	Não recebe corrente eléctrica.	Ligue uma outra ferramenta na mesma tomada para verificar se esta tem corrente.
	Cabo de alimentação ou ficha com defeito.	Mandar verificar por um electricista especializado. Mandar substituir, se for necessário.

Falha	Causa possível	Solução
A ferramenta não arranca.	Gerador com "Sleep Mode".	Aplicar uma carga ao gerador, ligando um outro dispositivo (p. ex., uma lâmpada). De seguida, desligar e voltar a ligar a ferramenta.
	Outra avaria eléctrica.	Mandar verificar por um electricista especializado.
	O bloqueio electrónico está activado após uma interrupção de corrente.	Desligar e voltar a ligar a ferramenta.
	Interruptor on/off com defeito.	Mandar verificar por um electricista especializado. Mandar substituir, se for necessário.
Não tem percussão.	A ferramenta ainda não aqueceu.	Deixe que a ferramenta aqueça até à temperatura de funcionamento mínima. Ver capítulo: 7.2.2 Perfurar de martelo 6
A ferramenta não arranca e o indicador pisca a vermelho.	Avaria na ferramenta.	Nesse caso, mande reparar a ferramenta num Centro de Assistência Técnica Hilti.
A ferramenta não arranca e o indicador acende a vermelho.	As escovas de carvão estão gastas.	Mandar verificar por um electricista especializado. Mandar substituir, se for necessário.
A ferramenta não arranca e o indicador pisca a amarelo.	A ferramenta não está activada (no caso de ferramentas com sistema de protecção anti-roubo, ATC).	Active a ferramenta com a chave de activação.
Frac performance da ferramenta.	Extensão de cabo demasiado comprida e/ou com secção inadequada.	Utilize uma extensão de cabo com comprimento permitido e/ou com secção suficiente.
	O interruptor on/off não foi completamente pressionado.	Pressione completamente o interruptor on/off.
	A tecla "meia potência" está ligada (ATC).	Pressione a tecla "meia potência".
	A tensão fornecida pela rede de alimentação é demasiado baixa.	Ligue a ferramenta a outra rede de alimentação.
A broca não roda.	O selector de funções não está engatado ou está na posição "Cinzelar" ou na posição "Posicionar cinzel".	Com a ferramenta parada, colocar o selector de funções na posição "Perfurar com percussão".
Não é possível soltar a broca ou o cinzel do bloqueio.	O mandril não está completamente puxado para trás.	Puxar o casquilho de bloqueio o máximo possível para trás e retirar o acessório.
	Punho auxiliar incorrectamente colocado.	Alivie o punho auxiliar e reposicione-o correctamente de forma a que a abraçadeira de aperto e o punho encaixem na ranhura.

10 Reciclagem



As ferramentas Hilti são, em grande parte, fabricadas com materiais recicláveis. Um pré-requisito para a reciclagem é que esses materiais sejam devidamente separados. A Hilti já iniciou em muitos países a recolha da sua ferramenta usada para fins de reaproveitamento. Para mais informações dirija-se ao Serviço de Clientes Hilti ou ao seu vendedor.

11 Garantia do fabricante - Ferramentas

A Hilti garante que a ferramenta fornecida está isenta de quaisquer defeitos de material e de fabrico. Esta garantia é válida desde que a ferramenta seja utilizada e manuseada, limpa e revista de forma adequada e de acordo com o manual de instruções Hilti e desde que o sistema técnico seja mantido, isto é, sob reserva da utilização exclusiva na ferramenta de consumíveis, componentes e peças originais Hilti.

A garantia limita-se rigorosamente à reparação gratuita ou substituição das peças com defeito de fabrico durante todo o tempo de vida útil da ferramenta. A garantia não cobre peças sujeitas a um desgaste normal de uso.

Estão excluídas desta garantia quaisquer outras situações susceptíveis de reclamação, salvo legislação

nacional aplicável em contrário. Em caso algum será a Hilti responsável por danos indirectos, directos, acidentais ou pelas consequências daí resultantes, perdas ou despesas em relação ou devidas à utilização ou incapacidade de utilização da ferramenta, seja qual for a finalidade. A Hilti exclui em particular as garantias implícitas respeitantes à utilização ou aptidão para uma finalidade particular.

Para toda a reparação ou substituição, enviar a ferramenta ou as peças para o seu centro de vendas Hilti, imediatamente após detecção do defeito.

Estas são todas e as únicas obrigações da Hilti no que se refere à garantia, as quais anulam todas as declarações, acordos orais ou escritos anteriores ou contemporâneos referentes à garantia.

pt



Hilti Corporation

LI-9494 Schaan

Tel.: +423 / 234 21 11

Fax: +423 / 234 29 65

www.hilti.com

Hilti = registered trademark of Hilti Corp., Schaan

W 3977 | 0713 | 00-Pos. 3 | 1

Printed in Germany © 2013

Right of technical and programme changes reserved S. E. & O.

427748 / A3



427748