



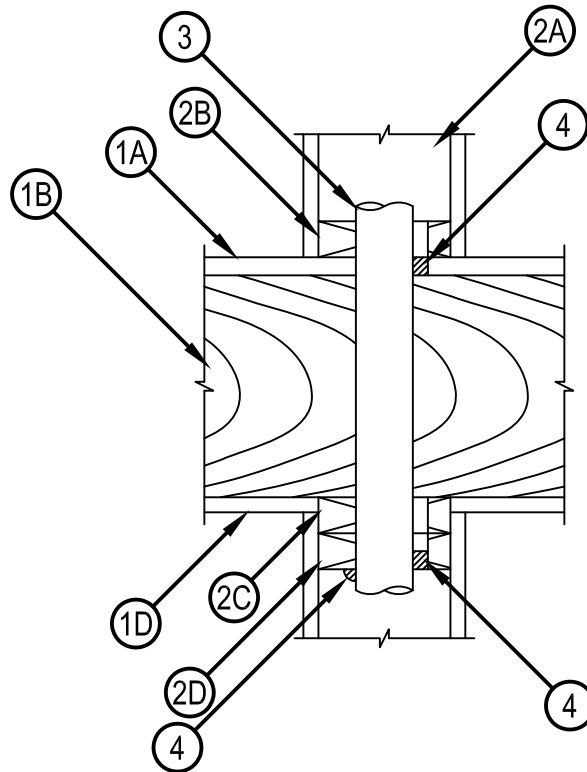
Classified by
Underwriters Laboratories, Inc.
to UL 1479

System No. F-C-2270

F Rating — 1 Hr

T Rating — 0 Hr

FC 2270



1. Floor-Ceiling Assembly — The fire-rated solid or trussed lumber joist floor-ceiling assembly shall be constructed of the materials and in the manner specified in individual L500 Series Floor-Ceiling Designs in the UL Fire Resistance Directory. The general construction details of the floor-ceiling assembly are summarized below:

- A. Flooring System — Lumber or plywood subfloor with finish floor of lumber, plywood or Floor Topping Mixture* as specified in the individual Floor-Ceiling Design. Max diam of floor opening is 3 in. (76 mm).
- B. Wood Joists — Nom 2 by 10 in. (51 by 254 mm) lumber joists spaced 16 in. (406 mm) OC with nom 1 by 3 in. (51 by 76 mm) lumber bridging and with ends firestopped. As an alternate to lumber joists, nom 10 in. (254 mm) deep (or deeper) lumber, steel or combination lumber and steel joists, trusses or Structural Wood Members* with bridging as required with ends firestopped.
- C. Furring Channels — (Not shown) — Resilient galv steel furring installed perpendicular to wood joists (Item 1B) between wallboard (Item 1D) and wood joists as required in the individual Floor-Ceiling Design.
- D. Gypsum Board* — Nom 4 ft (122 cm) wide by 5/8 in. (16 mm) thick as specified in the individual Floor-Ceiling Design.

2. Chase Wall — (Optional) - The through penetrant (Item 3) may be routed through a 1 hr fire-rated single, double or staggered wood stud/gypsum wallboard chase wall constructed of the materials and in the manner specified in the individual U300 Series Wall and Partition Designs in the UL Fire Resistance Directory and shall include the following construction features:

- A. Studs — Nom 2 by 4 in. (51 by 102 mm) lumber studs.
- B. Sole Plate — Nom 2 by 4 in. (51 by 102 mm) lumber plates. Max diam of opening is 3 in. (76 mm).
- C. Top Plate — The double top plate shall consist of two nom 2 by 4 in. (51 by 102 mm) lumber plates. Max diam of opening is 3 in. (76 mm).
- D. Gypsum Board* — Thickness, type, number of layers and fasteners shall be as specified in individual Wall and Partition Design.



Hilti Firestop Systems

Reproduced by HILTI, Inc. Courtesy of
Underwriters Laboratories, Inc.

January 28, 2015

Page: 1 of 2

System No. F-C-2270

FC 2270

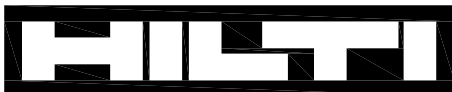
3. Through Penetrants — One nonmetallic pipe to be installed either eccentrically or concentrically within the firestop system. The annular space between the through penetrant and the periphery of the opening shall be a min 0 in. (point contact) to a max of 5/8 in. (16 mm). Pipe to be rigidly supported on both sides of the floor-ceiling assembly. The following types and sizes of nonmetallic pipes may be used.

A. Chlorinated Polyvinyl Chloride (CPVC) Pipe — Nom 2 in. (51 mm) diam (or smaller) FLOWGUARD GOLD® SDR11 CPVC pipe for use in closed (process or supply) piping systems.

B. Chlorinated Polyvinyl Chloride (CPVC) Pipe — Nom 2 in. (51 mm) diam (or smaller) BLAZEMASTER® SDR13.5 CPVC pipe for use in closed (process or supply) piping systems.

4. Fill, Void or Cavity Material* - Sealant — Min 3/4 in. (19 mm) thickness of fill material applied within the annulus, flush with top surface of floor or sole plate. Min 5/8 in. (16 mm) thickness of fill material applied within the annulus, flush with bottom surface of ceiling or lower top plate. At point contact location, a min 1/2 in. (13 mm) diam bead of fill material shall be applied flush with bottom surface of ceiling or lower top plate.
HILTI CONSTRUCTION CHEMICALS, DIV OF HILTI INC — FS-ONE Sealant or FS-ONE MAX Intumescent Sealant

* Indicates such products shall bear the UL or cUL Certification Mark for jurisdictions employing the UL or cUL Certification (such as Canada), respectively.



Hilti Firestop Systems

Reproduced by HILTI, Inc. Courtesy of
Underwriters Laboratories, Inc.
January 28, 2015

Page: 2 of 2