



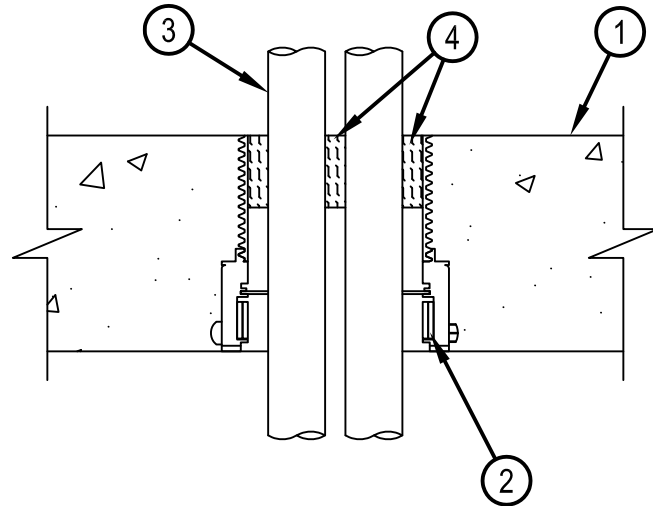
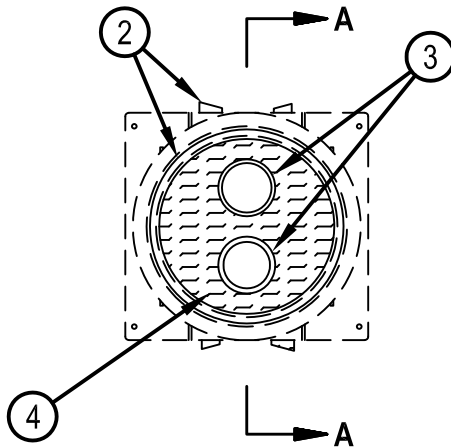
Classified by  
Underwriters Laboratories, Inc.  
to UL 1479

## System No. F-B-2041

F Rating — 2 Hr

T Rating — 0 Hr

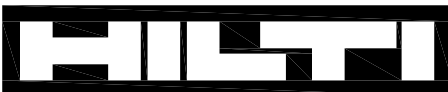
FB 2041



**SECTION A-A**

1. Floor Assembly — Min 6 in. (152 mm) thick reinforced lightweight or normal weight (100-150 pcf or 1600-2400 kg/m<sup>3</sup>) concrete.
2. Firestop Device\* — Cast in place firestop device permanently embedded during concrete placement or grouted in concrete assembly in accordance with accompanying installation instructions, flush with top surface of the concrete.  
HILTI CONSTRUCTION CHEMICALS, DIV OF HILTI INC — CP 680-P 2", CP 680-P 3", CP 680-P 4", CP 680-PX 2", CP 680-PX 3"
3. Through Penetrants — One or two nonmetallic pipes or tubing to be installed within the firestop device. The annular space between the pipes or tubing and the periphery of the opening shall be min 0 in. (point contact) to max 1 in. (25 mm). Pipes to be rigidly supported on both sides of the floor or wall assembly. The following type and sizes of nonmetallic pipes and tubing may be used:
  - A. Polypropylene (PP) Pipe — Nom 2 in. (51 mm) diam (or smaller) Aquatherm Fusiotherm SDR 7.4 with Faser or Fusiotherm SDR 11 pipe for use in closed (process or supply) or vented (drain, waste or vent) piping systems.
  - B. Crosslinked Polyethylene (PEX) Tubing — Nom 2 in. (51 mm) diam (or smaller) SDR 9 PEX tubing for use in closed (process or supply) or vented (drain, waste or vent) piping systems.
4. Packing Material — Min 2 in. (51 mm) depth of 4 pcf (64 kg/m<sup>3</sup>) mineral wool batt insulation tightly packed into the device flush with the top surface of the floor.

\* Indicates such products shall bear the UL or cUL Certification Mark for jurisdictions employing the UL or cUL Certification (such as Canada), respectively.



**Hilti Firestop Systems**

Reproduced by HILTI, Inc. Courtesy of  
Underwriters Laboratories, Inc.

June 29, 2015