



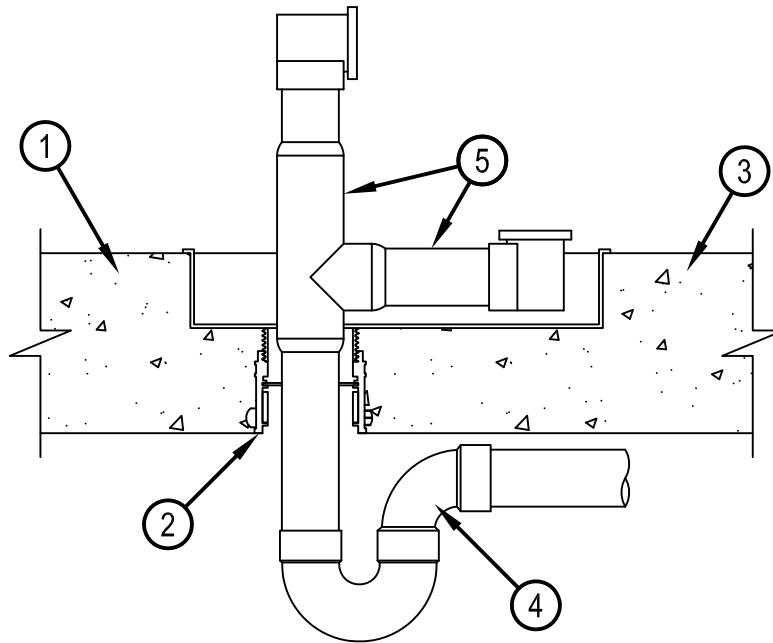
Classified by
Underwriters Laboratories, Inc.
to UL 1479

System No. F-B-2007

F Rating — 3 Hr

T Rating — 3 Hr

FB 2007



1. Floor Assembly — Min 6 in. (152 mm) thick reinforced lightweight or normal weight (100-150 pcf or 1600-2400 kg/m³) concrete.
- 1A. Floor Assembly — (Optional - Not Shown) — The fire rated unprotected concrete and steel floor assembly shall be constructed of the materials and in the manner specified in the individual D900 Series designs in the UL Fire Resistance Directory and as summarized below:
 - A. Concrete — Min 6 in. (152 mm) thick reinforced lightweight or normal weight (100-150 pcf or 1600-2400 kg/m³) concrete.
 - B. Steel Floor and Form Units* — Composite or non-composite max 3 in. (76 mm) deep galv steel fluted units as specified in the individual Floor-Ceiling Design.
2. Firestop Device* — Cast in place firestop device permanently embedded during concrete placement or grouted in concrete assembly in accordance with accompanying installation instructions. Device to be cut flush with top surface of the concrete.
HILTI CONSTRUCTION CHEMICALS, DIV OF HILTI INC — CP 680-75/2.5"N, CP 680-P 2", CP 680-PX 2"
3. Tub Box — Max 8-1/2 by 13-3/4 by 2-1/2 in. (216 by 348 by 64 mm) deep polyvinyl chloride (PVC) tub box, with adjustable legs, cast in concrete slab, flush with top surface of floor. Tub box to provide ample room for placement of waste/overflow fitting. As an option to using tub box, max 8-1/2 by 13-3/4 by 2-1/2 in. (216 by 348 by 64 mm) opening may be formed in the concrete using rigid materials.
4. Drain Piping — Nom 1-1/2 in. or 2 in. (38 or 51 mm) diam Schedule 40 polyvinyl chloride (PVC) pipes and drain fittings cemented together. Drain piping rigidly supported away from tub box with suitable hangers.
5. Waste/Overflow Fitting — Nom 1-1/2 in. (38 mm) diam waste/overflow fitting, formed of polyvinyl chloride (PVC).

* Indicates such products shall bear the UL or cUL Certification Mark for jurisdictions employing the UL or cUL Certification (such as Canada), respectively.



Hilti Firestop Systems

Reproduced by HILTI, Inc. Courtesy of
Underwriters Laboratories, Inc.
June 29, 2015