



Classified by
Underwriters Laboratories, Inc.
to UL 1479

System No. F-A-2092

F Rating — 2 Hr

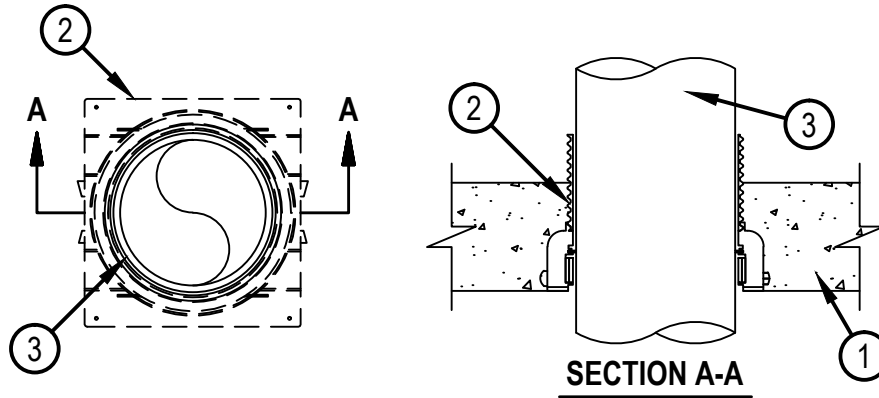
T Ratings — 0 and 2 Hr (See Item 3)

L Rating At Ambient — Less Than 1 CFM/sq ft (See Item 3)

L Rating At 400 F — Less Than 1 CFM/sq ft (See Item 3)

W Rating — Class 1 (See Items 2A and 3)

FA 2092



1. Floor Assembly — Min 4-1/2 in. (114 mm) thick reinforced lightweight or normal weight (100-150 pcf or 1600-2400 kg/m³) concrete.
- 1A. Floor Assembly - (Optional - Not Shown) — The fire rated unprotected concrete and steel floor assembly shall be constructed of the materials and in the manner specified in the individual D900 Series designs in the UL Fire Resistance Directory and as summarized below:
 - A. Concrete — Min 4-1/2 in. (114 mm) thick reinforced lightweight or normal weight (100-150 pcf or 1600-2400 kg/m³) concrete.
 - B. Steel Floor and Form Units* — Composite or non-composite max 3 in. (76 mm) deep galv steel fluted units as specified in the individual Floor-Ceiling Design.
2. Firestop Device* — Cast in place firestop device permanently embedded during concrete placement or grouted in concrete assembly in accordance with accompanying installation instructions with a max 2 in. (51 mm) projection above the top surface of the concrete.
HILTI CONSTRUCTION CHEMICALS, DIV OF HILTI INC — CP 680-75/2.5"N, CP 680-110/4"N, CP 680-160/6"N, CP 680-P 2", CP 680-P 3", CP 680-P 4", CP 680-P 6", CP 680-PX 2", CP 680-PX 3"
- 2A. Firestop Device* - Water Barrier Module — (Optional, Not Shown) - Applies to nom 2", 3", 4" and 6" water barrier modules used in combination with the CP 680-P(X) 2", CP 680-P(X) 3", CP 680-P 4" and CP 680-P 6" devices, respectively, and supplied by device manufacturer. Module is threaded onto top of device. W Rating applies only when water barrier module is used and nom diam of penetrant equals size of device.
HILTI CONSTRUCTION CHEMICALS, DIV OF HILTI INC — Water Barrier Module
- 2B. Firestop Device* — (Optional. Not shown) - Alternate to Water Barrier Module (Item 2A). Top seal plug for use with CP 680-P(X) 2" device installed in accordance with the manufacturer's instructions. The Top Seal Plug is optional for nom 1-1/2 in. (38 mm) pipes. Top Seal Plugs are required for all pipes less than nom 1-1/2 in. (38 mm). W Rating applies only to the IPS Top Seal Plug and nom 2 in. diam penetrants and CPS Top Seal Plug for nom 1/2 to 2 in. (13 to 51 mm) diam penetrants.
HILTI CONSTRUCTION CHEMICALS, DIV OF HILTI INC — CPS and IPS Top Seal Plugs
3. Through Penetrants — One nonmetallic pipe or conduit to be installed within the firestop system. Pipe or conduit to be rigidly supported on both sides of floor-ceiling assembly. For W Rating with Water Barrier Module (Item 2A), pipe shall be installed from bottom of device. The following types and sizes of nonmetallic pipes or conduits may be used:
 - A. Polyvinyl Chloride (PVC) Pipe — Nom 6 in. (152 mm) diam (or smaller) Schedule 40 solid or cellular core PVC pipe for use in closed (process or supply) or vented (drain, waste or vent) piping systems.
 - B. Chlorinated Polyvinyl Chloride (CPVC) Pipe — Nom 6 in. (152 mm) diam (or smaller) SDR13.5 CPVC pipe for use in closed (process or supply) piping systems.



Hilti Firestop Systems

Reproduced by HILTI, Inc. Courtesy of
Underwriters Laboratories, Inc.
June 29, 2015

System No. F-A-2092

FA 2092

Nom Pipe Diameter	Firestop Device	T Rating-Hr
1/2 in. to 2 in. (38 to 51 mm)	CP 680N-75/2.5" CP 680-P 2" CP 680-PX 2"	2
3 in. (76 mm)	CP 680N-110/4" CP 680-P 4"	0
3 in. (76 mm)	CP 680-P 3" CP 680-PX 3"	2
4 in. (102 mm)	CP 680N-110/4" CP 680-P 4"	2
6 in. (152 mm)	CP 680N-160/6" CP 680-P 6"	0

When pipe diameters other than those shown in the above table are used, pipes shall be installed in conjunction with Item 4 and the T Ratings are 0 hr.

++ L Rating applies only to CP 680-P(X) devices and only when the nom diam of pipe equals size of device (2 in. diam pipe in 2" device etc.) L Rating does not apply to CP 680N devices.

4. Packing Material — (Not Shown) When pipe sizes are less than those shown in the above table, a 4 in. (102 mm) thickness of 4 pcf (64 kg/m³) mineral wool insulation shall be firmly packed to the fullest extent possible within annulus flush with top surface of device.

* Indicates such products shall bear the UL or cUL Certification Mark for jurisdictions employing the UL or cUL Certification (such as Canada), respectively.



Hilti Firestop Systems

Reproduced by HILTI, Inc. Courtesy of
Underwriters Laboratories, Inc.
June 29, 2015