

HILTI CP 606 Flexible Firestop Sealant

The enclosed pages are taken from the
Hilti Firestop Systems Manual
Edition April 2011
Supported by additional standard details

For Material Safety data sheets
visit the technical library at www.hilti.co.uk/cfs

Hilti (Gt Britain) Ltd
TECHNICAL ADVISORY SERVICE
TELEPHONE 0161 886 1144

Quality Management System Certification

Standard: ISO 9001:2008

Issued by: The Swiss Association for Quality and Management Systems SQS.

Registration No: 12455 (The current certificate can be downloaded from www.hilti.co.uk)

Field of activity: Market Organisation.

Note: The certificate of Hilti (Gt. Britain) Ltd. is a sub-certificate to the master certificate of Hilti Aktiengesellschaft, FL-9494 Schaan with the field of activity: Research, Development, Manufacturing, Sales and Service.

Don't just use Hilti Firestop Products, use our Hilti Accredited Firestop Contractors

It is the combination of a quality conscious and third party accredited manufacturer working in close co-operation with a selected group of third party accredited installers that can offer you the best value.

Here are some of the benefits available to you by using this co-operation:-

- Reduce your liability; liability that comes from poor or incorrect installation and performance of products.
- Efficient Project Management based on the co-operation of a specialised manufacturer with a specialist contractor
- Commercially designed, effective Fire Protection solutions
- Products that adhere to 3rd party product conformity schemes such as FM, UL and Certifire.

These approvals are an assurance of product and manufacturer quality, they can also have an influence on the building insurance premium reducing the service costs of the building.

- Solutions that have been tested for long term performance.
- Solutions that offer business continuity and protections of premises.
- Certification of conformity of work completed.
- Installation work audited by FIRAS on site to ensure compliance with manufacturers' recommendations and Building regulations.
- Installer with site based manufacturer support.
- Installer having available site based manufacturers support when needed.
- Clear and comprehensive documentation of installation.
- Comprehensive support documentation for proposed solutions.
- Clarity and assistance understanding the role of Passive Fire measures in modern building construction.



Product Accreditation

Hilti Firestop Systems have been certified by a wide variety of international bodies, such as FM, UL, Certifire and iBMB

As part of this process products are monitored on an on-going basis so you can have absolute confidence in the quality and standard of the product you are specifying.

Installation Accreditation

Hilti-Accredited Firestop Contractors are also third party certified (e.g. FIRAS or LPCB).

This means that they work to agreed industry standards, employ trained operatives and are subject to on-site audits and inspection of representative samples of the work carried out to ensure compliance with manufacturers' recommendations and Building Regulations

Further details about Hilti accredited Firestop Contractors and the support that we can offer you can be obtained by telephoning Freephone 0800 083 8889 (GB only).



Association for Specialist Fire Protection

Hilti is proud to support and be a member of The Association for Specialist Fire Protection (ASFP)

ASFP Vision

To offer the industry it serves with:

- Knowledge / guidance on all aspects of 'built-in' fire protection
- Technical support / impartial advice
- Direction through industry authority

Contents

Hilti Firestop Systems Manual Pages for Hilti CP 606

FS 008 - 03	Hilti CP 606 - Metal Pipe – Solid wall, Drywall
FS 104 - 02	Hilti CP 606 – Fire Door Seal Partition
FS 109 - 01	Hilti CP 606 – Wall Joints
FS 110 - 01	Hilti CP 606 – Horizontal Floor Joints
FS 122 - 01	Hilti CP 606 - Fire Door Seal – Solid wall
FS 126 - 01	Hilti CP 606 – Single cable – Wall
Data summary	Additional Properties of CP 606 seals
Data summary	CP 606-Fire Rated Sealant – BREEAM Criteria summary

Material Safety Data Sheets and CAD files of the standard details FS ***-** can be downloaded from the technical library at www.hilti.co.uk/cfs

Revision History

May 2011	First release
July 2011	Data summaries added, Standard details updated, FS 122 – 01 added
May 2013	Update

Intumescent firestop filler CP 606

An acrylic based firestop sealant for low movement fire rated joints and small pipes.



Applications

- Sealing drywall partition connections & header joints
- Metal pipes
- Rigid and low movement joints (Tested on metal pipes in walls, floors and drywall)
- For use in concrete, masonry, drywall, steel, porous concrete
- Joint widths from 6 - 100 mm (backed with mineral wool, PE rod or CF-125-50 foam).
- Component of CP 670 board system

Advantages

- Movement capability +/- 10%
- Simple use and application
- Smoke, gas and water tight
- Easy clean up with water
- Approved for infinite linear gap lengths
- Silicone free

Technical data

CP 606	
Fire rating	Up to 4 hours
Base materials	Concrete, Gypsum
Chemical basis	Water-based acrylic sealant
Application temperature range	5°C - 40°C
Acoustics performance	Up to 60dB
Density	1.58 g/cm ³
Colour	White
Skin forming time (at 23°C/50% r.H)	15 min
Air Leakage Rating	0.0002 m ³ /h



EN 1366-4
ISO 11600

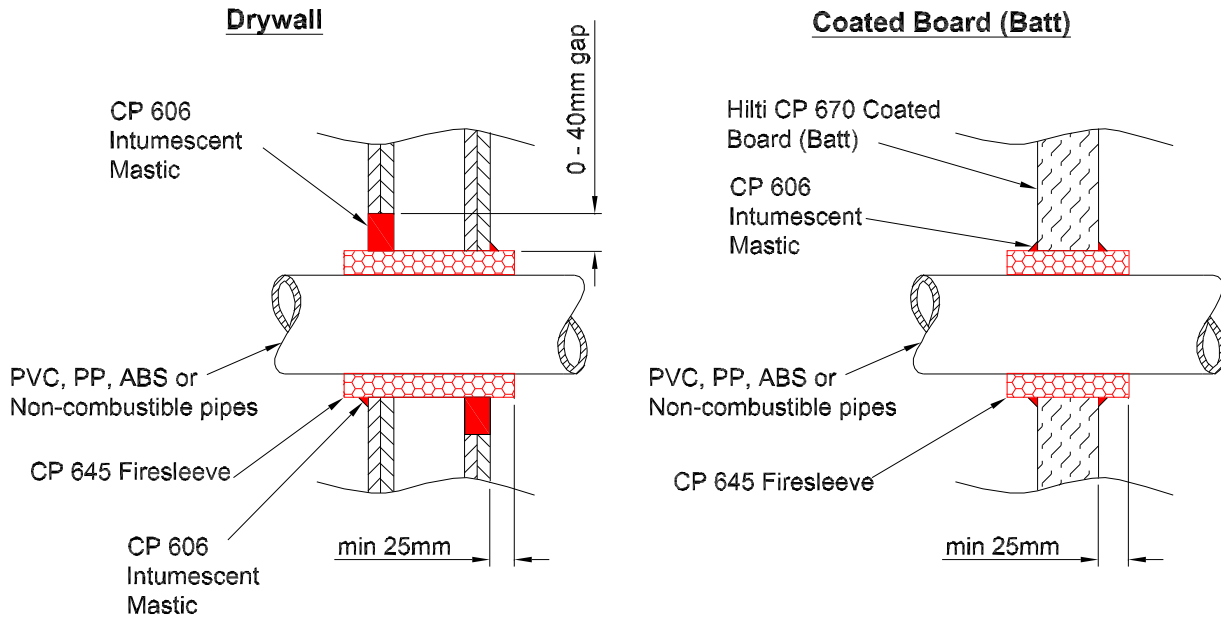


Max. joint width	Base material	Backfilling	Fire rating per BS 476	
			Insulation	Integrity
6 mm	Gas concrete	Mineral wool	4h	4h
15 mm	Gas concrete	Mineral wool	4h	4h
20 mm	Gas concrete	PE 24 mm	130 mins	4h
20 mm	Gas concrete	PU foam CF 125-50	208 mins	4h
30 mm	Gas concrete	Mineral wool	216 mins	4h
30 mm	Steel-steel	Mineral wool	36 mins	4h
65 mm	Drywall / concrete (top of wall)	Mineral wool	136 mins	136 mins

Ordering

Order description	Package Contents	Package Quantity	Item number
FS joint filler CP 606 310ml GB-IE w	20 x firestop sealant white (310ml)	20 pc	00209626
FS joint filler CP 606 310ml GB-IE grey	20 x firestop sealant grey (310ml)	20 pc	00209629
Dispenser CB 200-P1	manual dispenser (310ml)	1 pc	00055205
FS joint filler CP 606 580ml white	20 x firestop sealant white (580ml)	20 pc	00209632
Dispenser CS 270-P1	manual dispenser (580ml)	1 pc	00024669
FS joint filler CP 606 5L white	firestop sealant (5 litres)	1 pc	00209638

Technical Information



For more standard details and technical information register online at the Hilti Firestop Design Centre at www.hilti.co.uk/cfs

Installation instructions for CP 606

Notice

- Before handling, read Material Safety Data Sheet and product label for safe usage and health information.
- Instructions below are general guidelines

Opening

1. Clean the opening. Surfaces to which CP 606 will be applied should be cleaned of loose debris, dirt, oil, wax and grease. The surface should be moisture and frost free.

Application of firestop

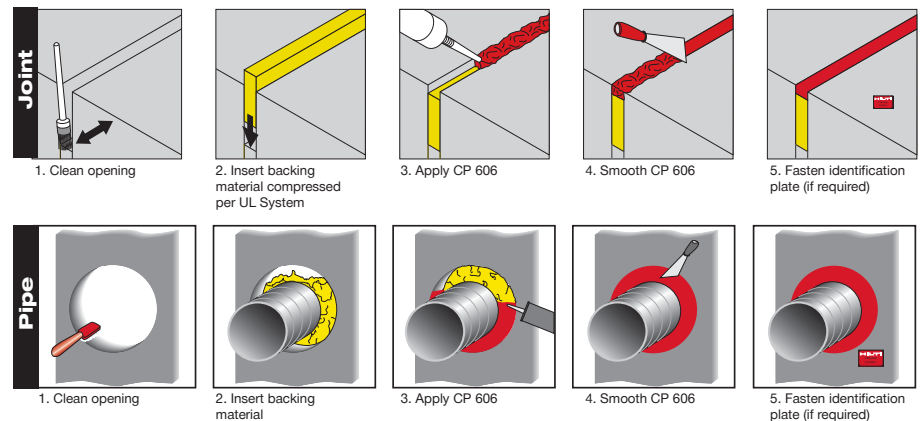
2. Insert fill of mineral wool, firesleeve or backer (as required).
3. Apply firestop over backer or around the joint.
4. Smooth firestop sealant with a trowel before the skin forms. Once cured, CP 606 can only be removed mechanically.
5. For maintenance reasons, a penetration seal can be permanently marked with an identification plate and fastened in a visible position next to the seal.

Not for use

- On areas immersed in water

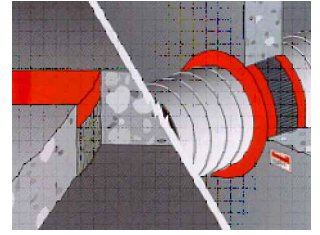
Storage

- Store only in the original packaging in a location protected from moisture at a temperature of 5°C to 25°C
- Observe expiration date on package



Hilti CP 606 Intumescent acoustic mastic

APPLICATION



Metal pipe
passing through

Drywall

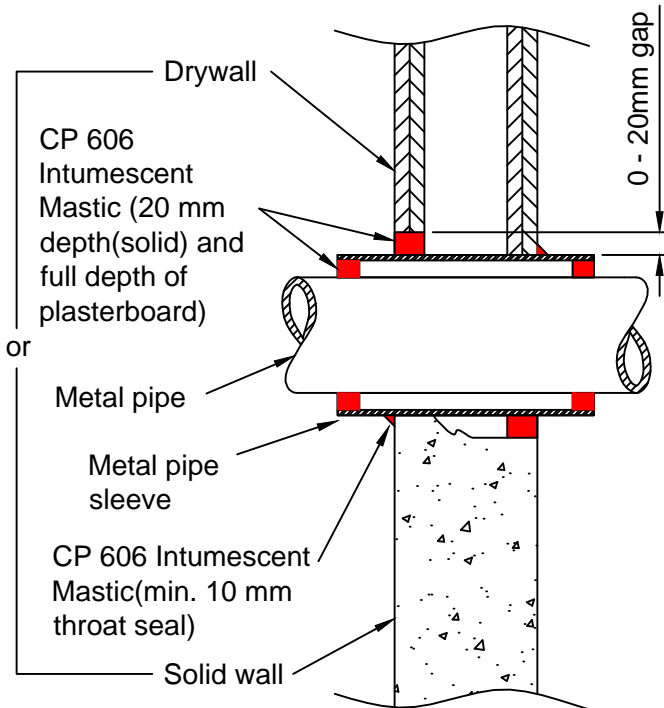
Solid wall

Test	Up to
Fire Integrity	2 hr
Insulation	
Acoustics	60dB
Air Tightness	J
Age Testing	30 years

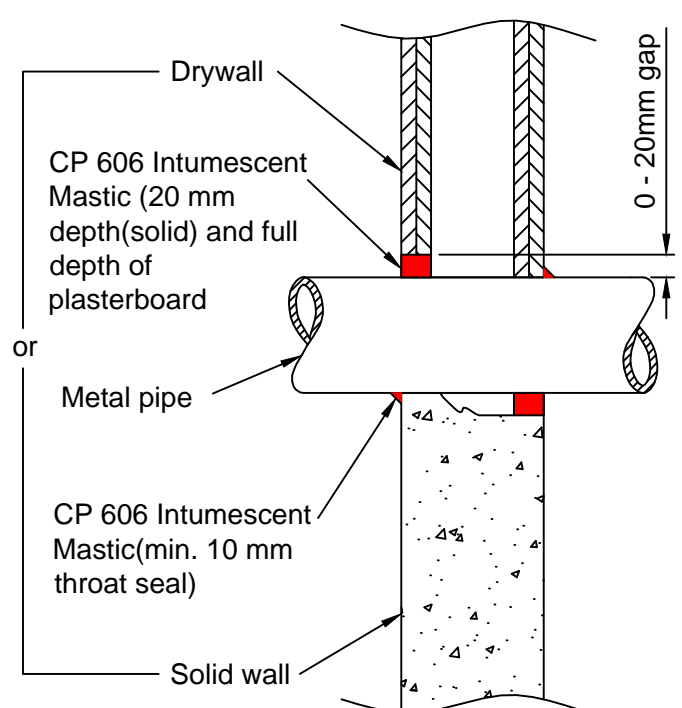
Approvals
BS476 pt 20
Factory Mutual

Metal pipes - copper, steel, cast iron

Sleeved Metal Pipe



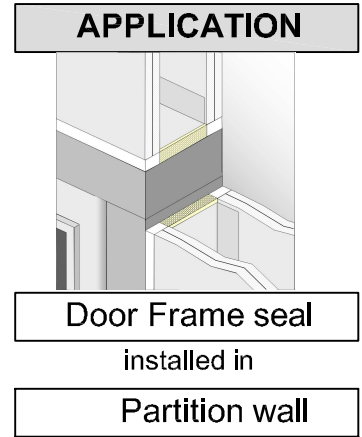
Un-sleeved Metal Pipe



The above applications are not exhaustive. For further details please contact

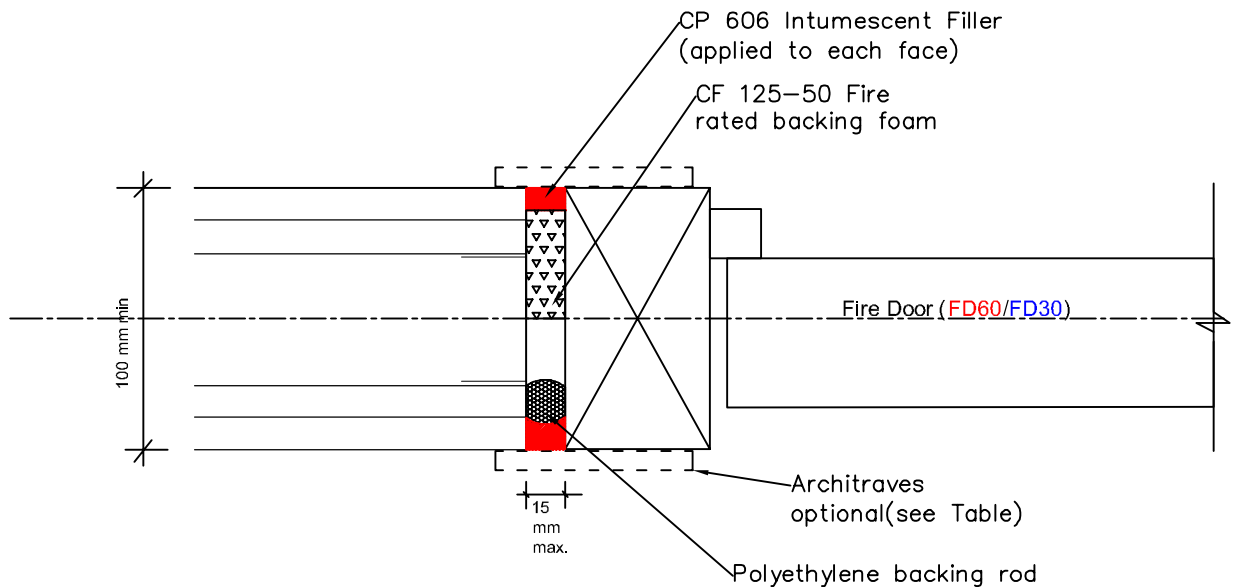
1. The application limits on this detail are for guidance purposes only. For more detailed information on the full range of available test results please contact a Hilti Firestop Specialist on 0800 886100.
2. The product and application has been fire tested as a minimum to BS 476. It may have additional European and worldwide testing. Please contact Hilti for further information.
3. All installations should be carried out in accordance with Hilti's installation instructions, by competent, experienced installers using Hilti branded products.

Hilti CF125 Fire Rated Foam and CP 606 Door seal



Test	Up to
Fire Integrity	1 hr
Insulation	1 hr
Acoustics	
Air Tightness	✓
Age Testing	30 years

Approvals
BS476 pt 20
EN 1366-3



Depth of CP 606 sealant (mm)

	Frame material	
	Softwood	Hardwood
60min/30 min		
Architrave (15 mm thick)	10 / 5	8 / 5
No Architrave	20 / 10	15 / 8

The above applications are not exhaustive. For further details please contact

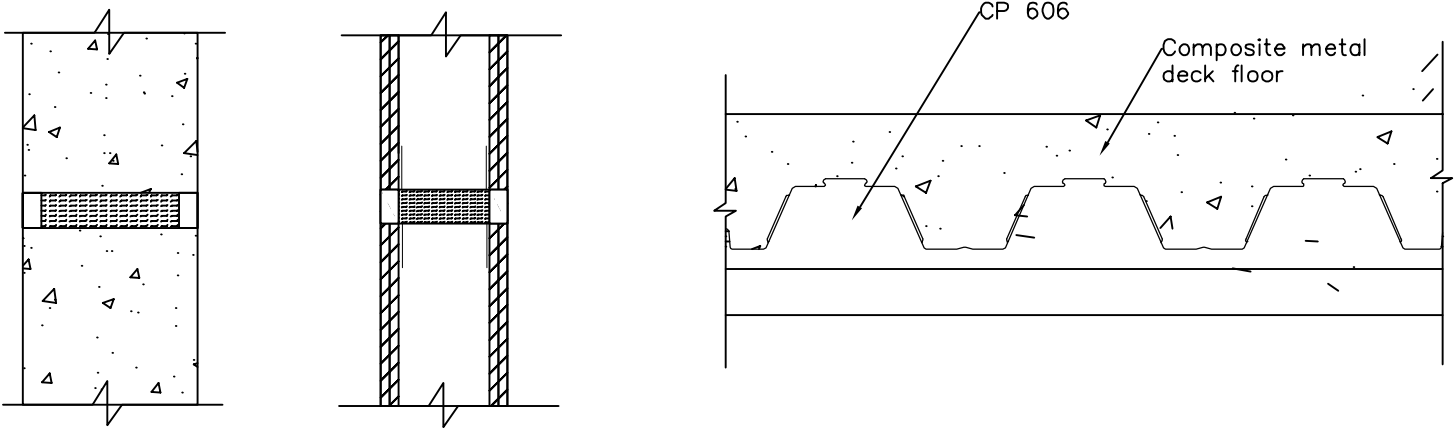
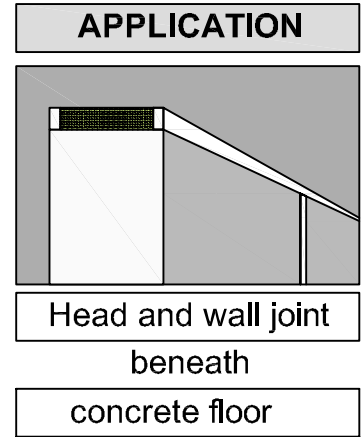


1. The application limits on this detail are for guidance purposes only. For more detailed information on the full range of available test results please contact a Hilti Firestop Specialist on 0800 886100.
2. The product and application has been fire tested as a minimum to BS 476. It may have additional European and worldwide testing. Please contact Hilti for further information.
3. All installations should be carried out in accordance with Hilti's installation instructions, by competent, experienced installers using Hilti branded products.

Hilti CP 606 Fire Sealant-wall joints

Test	Up to
Fire Integrity	4 hr
Insulation	4 hr
Acoustics	60 dB
Air Tightness	✓
Age Testing	30 years

Approvals
BS476 pt 20
EN 1366-3



CP606 - Joints	Seal Orientation	Backing Material	Base Material	Substrate Thickness	Max Joint Width	Min Material Depth	30		60		90		120		180		240	
							Int	Ins	Int	Ins	Int	Ins	Int	Ins	Int	Ins	Int	Ins
Vertical Joints	Double Sided Seal	Rock Fibre	Drywall	75mm+	10mm	2 x 10mm	Y	Y	Y	Y	Y	Y	Y	N	N	N	N	
Vertical Joints	Double Sided Seal	Rock Fibre	Drywall	75mm+	5mm	2 x 5mm	Y	Y	Y	Y	Y	Y	Y	N	N	N	N	
Vertical Joints	Double Sided Seal	Rock Fibre	Drywall	100mm+	30mm	2 x 15mm	Y	Y	Y	Y	Y	Y	Y	N	N	N	N	
Vertical Joints	Double Sided Seal	PU Foam	Drywall	100mm+	30mm	2 x 15mm	Y	Y	Y	Y	Y	Y	N	N	N	N		
Vertical Joints	Double Sided Seal	PE Rod	Drywall	100mm+	30mm	2 x 15mm	Y	Y	Y	Y	Y	Y	N	N	N	N		
Vertical Joints	Double Sided Seal	PE Rod	Drywall	100mm+	12mm	2 x 10mm	Y	Y	Y	Y	Y	Y	N	N	N	N		
Vertical Joints	Single Sided Seal (Fire Side)	PE Rod	Drywall	115mm+	30mm	26mm	Y	Y	Y	Y	Y	N	Y	N	N	N		
Vertical Joints	Single Sided Seal (Non-Fire Side)	PE Rod	Drywall	115mm+	30mm	26mm	Y	Y	Y	Y	Y	Y	Y	N	N	N		
Vertical Joints	Double Sided Seal	PE Rod	Concrete to Concrete	100mm+	12mm	2 x 10mm	Y	Y	Y	Y	Y	Y	Y	N	N	N		
Vertical Joints	Double Sided Seal	Rock Fibre	Drywall to Concrete	100mm+	Max 30mm	=Joint Width	Y	Y	Y	Y	Y	Y	Y	N	N	N		
Vertical Joints	Double Sided Seal	Rock Fibre	Drywall to Metal Deck	100mm+	65mm	2 x 5mm	Y	Y	Y	Y	Y	Y	Y	N	N	N		
Vertical Joints	Double Sided Seal	None	Drywall to Metal Deck	100mm+	19mm	2 x 15mm	Y	N	Y	N	N	N	N	N	N	N		
Vertical Joints	Double Sided Seal	None	Drywall to Metal Deck	100mm+	19mm	2 x 26mm	Y	N	Y	N	Y	N	N	N	N	N		
Vertical Joints	Double Sided Seal	Rock Fibre	Drywall to Metal Deck	100mm+	95mm	2 x 12mm	Y	Y	Y	Y	Y	Y	Y	N	N	N		
Vertical Joints	Double Sided Seal	None	Drywall to Metal Deck	100mm+	19mm	2 x 32mm	Y	N	Y	N	Y	Y	N	N	N	N		
Vertical Joints	Double Sided Seal	Rock Fibre	Block to Metal Deck	100mm+	95mm	2 x 12mm	Y	Y	Y	Y	Y	Y	Y	N	N	N		
Vertical Joints	Double Sided Seal	None	Drywall to Concrete	100mm+	19mm	Depth of DW	Y	Y	Y	Y	Y	Y	Y	N	N	N		
Vertical Joints	Double Sided Seal	Rock Fibre	Block to Concrete	100mm+	95mm	2 x 12mm	Y	Y	Y	Y	Y	Y	Y	N	N	N		
Vertical Joints	Single Sided Seal	PE Rod	Drywall to Concrete	115mm+	20mm	26mm	Y	Y	Y	Y	Y	Y	Y	N	N	N		
Vertical Joints	Single Sided Seal (AS Test)	PE Rod	Concrete to Concrete	230mm+	30mm	40mm	Y	Y	Y	Y	Y	Y	Y	Y	Y	Y		

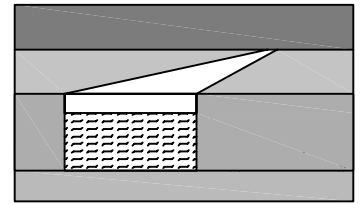
The above applications are not exhaustive. For further details please contact

1. The application limits on this detail are for guidance purposes only. For more detailed information on the full range of available test results please contact a Hilti Firestop Specialist on 0800 886100.
2. The product and application has been fire tested as a minimum to BS 476. It may have additional European and worldwide testing. Please contact Hilti for further information.
3. All installations should be carried out in accordance with Hilti's installation instructions, by competent, experienced installers using Hilti branded products.

11.1.11	Drawn by	A Brockett	FS	109	Issue	01
---------	----------	------------	----	-----	-------	----

Hilti CP 606 Floor seals

APPLICATION



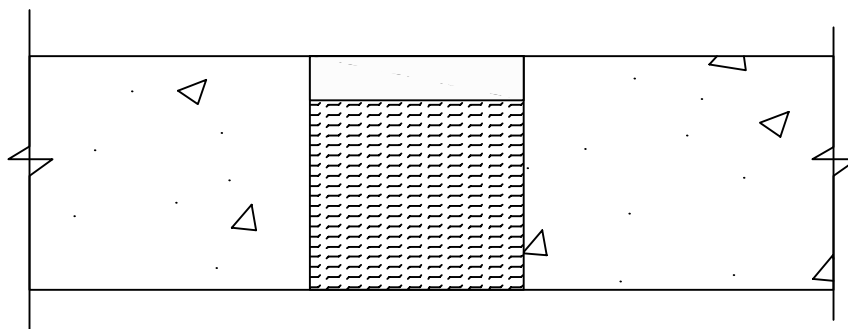
Floor joint

in

concrete slab

Test	Up to
Fire Integrity	4 hr
Insulation	3 hr
Acoustics	
Air Tightness	✓
Age Testing	30 years

Approvals
BS476 pt 20
EN 1366-3



CP606 - Joints	Seal Orientation	Backing Material	Base Material	Substrate Thickness	Max Joint Width	Min Material Depth	30		60		90		120		180		240	
							Int	Ins	Int	Ins	Int	Ins	Int	Ins	Int	Ins	Int	Ins
Horizontal Joints	Single Sided Seal	PE Rod	Concrete to Concrete	150mm+	20mm	10mm	Y	Y	Y	Y	Y	Y	Y	Y	Y	N	Y	N
Horizontal Joints	Single Sided Seal	CF 125	Concrete to Concrete	150mm+	20mm	15mm	Y	Y	Y	Y	Y	Y	Y	Y	Y	Y	Y	N
Horizontal Joints	Single Sided Seal	Rock Fibre	Concrete to Concrete	150mm+	30mm	15mm	Y	Y	Y	Y	Y	Y	Y	Y	Y	Y	Y	N
Horizontal Joints	Single Sided Seal	Rock Fibre	Concrete to Steel	150mm+	30mm	15mm	Y	Y	Y	N	Y	N	Y	N	Y	N	Y	N

Notes:

Maximum movement accomodation 12.5% (in accordance with ISO 11600)

The above applications are not exhaustive. For further details please contact

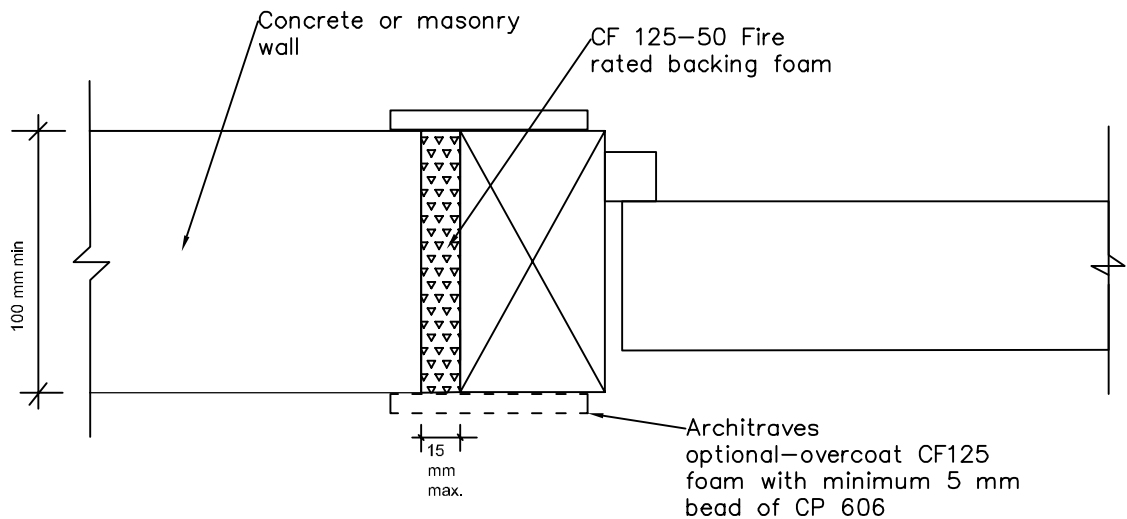
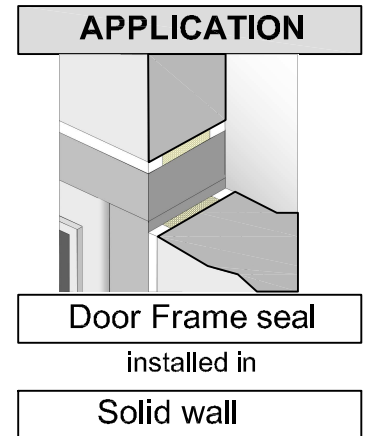
1. The application limits on this detail are for guidance purposes only. For more detailed information on the full range of available test results please contact a Hilti Firestop Specialist on 0800 886100.
2. The product and application has been fire tested as a minimum to BS 476. It may have additional European and worldwide testing. Please contact Hilti for further information.
3. All installations should be carried out in accordance with Hilti's installation instructions, by competent, experienced installers using Hilti branded products.

12.1.11	Drawn by	A Brockett		FS	110	Issue	01
---------	----------	------------	--	----	-----	-------	----

Hilti CF125 Fire Rated Foam Door seal

Test	Up to
Fire Integrity	2 hr
Insulation	2 hr
Acoustics	
Air Tightness	✓
Age Testing	30 years

Approvals
BS476 pt 20



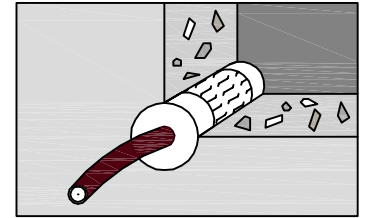
The above applications are not exhaustive. For further details please contact



1. The application limits on this detail are for guidance purposes only. For more detailed information on the full range of available test results please contact a Hilti Firestop Specialist on 0800 886100.
2. The product and application has been fire tested as a minimum to BS 476. It may have additional European and worldwide testing. Please contact Hilti for further information.
3. All installations should be carried out in accordance with Hilti's installation instructions, by competent, experienced installers using Hilti branded products.

Hilti CP 606 Joint Filler

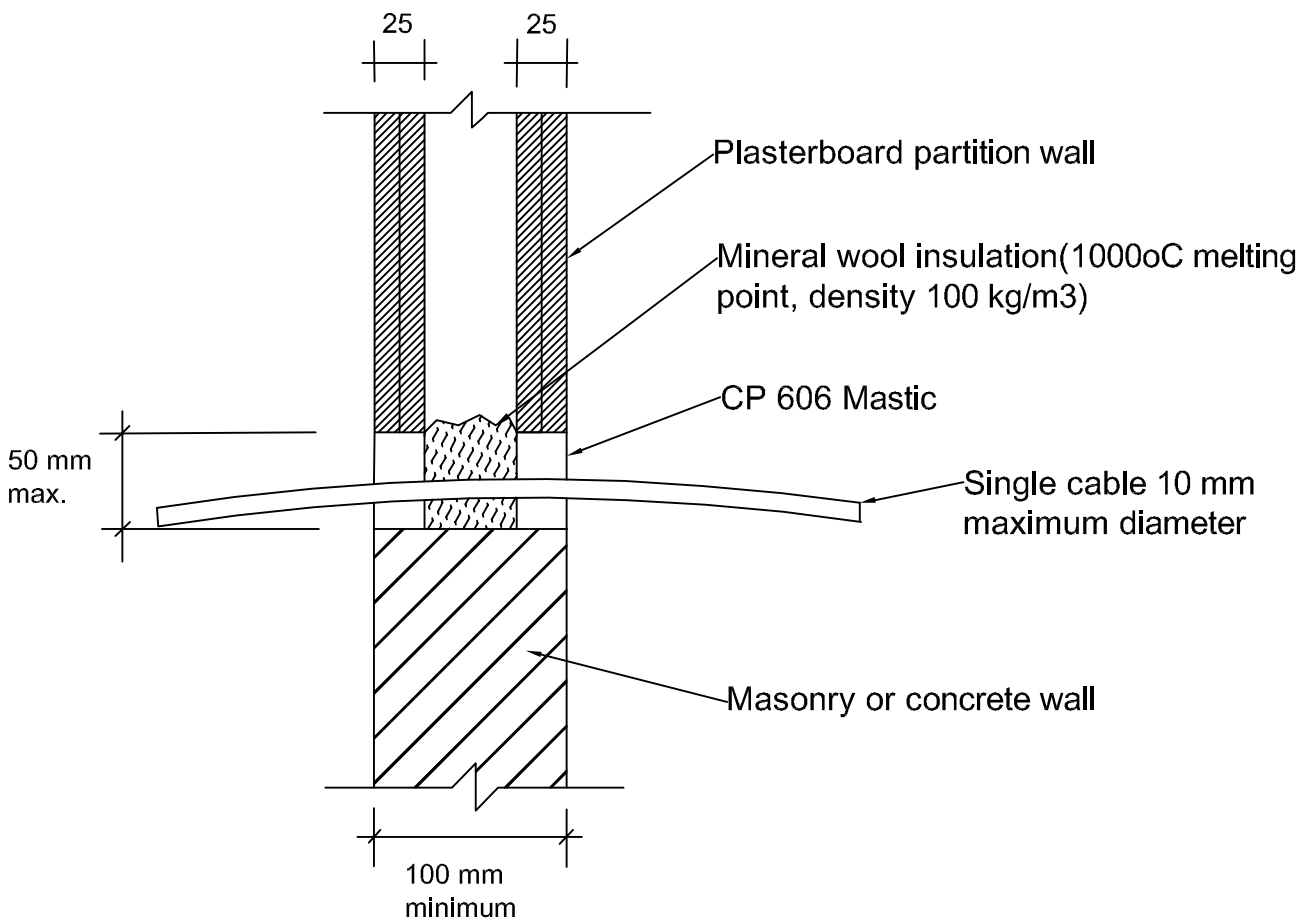
APPLICATION



Cable penetration
through
walls

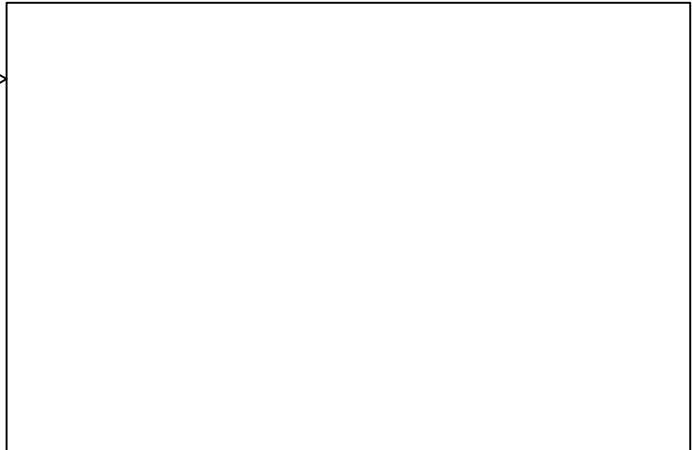
Test	Up to
Fire Integrity	2 hr
Insulation	1 hr
Acoustics	60 dB
Air Tightness	✓
Age Testing	30 years

Approvals
SIS 02 48 20



The above applications are not exhaustive. For further details please contact

1. The application limits on this detail are for guidance purposes only. For more detailed information on the full range of available test results please contact a Hilti Firestop Specialist on 0800 886100.
2. The product and application has been fire tested as a minimum to BS 476. It may have additional European and worldwide testing. Please contact Hilti for further information.
3. All installations should be carried out in accordance with Hilti's installation instructions, by competent, experienced installers using Hilti branded products.



Additional Properties of CP 606 seals

Property	Test regime	Notes	
Fire	BS 476 - 20		✓
	BS EN 1366-3		✓
	BS EN 1366-4		✓
	FM approval (Class 4990)		✓
	ETA		✓
Acoustic	EN ISO 20 140-10: 1992	Dnw	60 dB
Ageing	DIBT		N.R
	DAfSTB		✓
	Fire test after ageing		✓
Air sealing	DIN 1026 Pressure difference 50Pa		✓
	Pressure difference 200Pa		✓
	Pre sealing with Hilti Mastic/Mortar		
Electrical resistance	Surface resistance		✓
	Volume resistivity		✓
	Insulator		Yes
Movement	ISO 11600		✓
	Fire test in accordance with UL2079 after dynamic loading		✓
	Fire test in accordance with IBMB procedure		✓
Water resistance	Rain Resistance		✓
	Mold and Mildew resistance	ISO 846	Class 2-3
	Water tightness	UL 1479	✓
VOC	LEED 2009	LEED 3.0	56 g/l
Chemical Resistance	Contact Hilti Technical Advisory Service with details of type, concentration, duration and ambient temperature of exposure conditions		
		N.R	Not relevant
	✓		Meets standard

CP 606-Intumescent firestop filler – BREEAM Criteria summary

BREEAM Section

Management construction site impact	No power tools required for installation (no energy source required)	✓
	Dust free installation	✓
	Saves water during application	✓
	No water pollution	✓
	Low VOC* (air quality)	✓
Health and wellbeing	No ozone depletion potential (ODP)	✓
	Low global warming potential (GWP)	✓
	Smoke and gas tightness	✓
Energy	Noise reduction	✓
	Air tightness	✓
	Avoidance of air infiltration	✓
Materials	Product Carbon Footprint or LCA Data	✓
	Thermal insulation	✓
Waste	Recycling of packaging	✓
	Reuse of materials	✗
	Repenetration in existing opening (No waste)	✗
Product contributes to Green Building under this clause	✓	
Not applicable for this product	NA	
Product makes No contribution to green Building under this clause	✗	

Visit our web site at www.Hilti.co.uk/cfs to access our **Firestop Design Centre**

Penetration product selector	Other product features	Joints product selector
		
<p>Interactive product selector for firestopping openings through walls and floors</p>	<p>Find out more about the benefits of using Hilti firestop systems</p>	<p>Interactive product selector for wall to wall, top of wall, curtain wall , floor to floor and floor to wall applications.</p>

Important note:

All sales are subject to Hilti (Gt Britain) Ltd. "Terms and Conditions of Sale".

A copy of these "Terms and Conditions of sale" is available on request.

All descriptions and illustrations in this publication are intended for guidance only and shall not constitute a "sale by description / picture". All dimensions given are nominal and Hilti (Gt Britain) Limited may change the information, products and specifications from time to time for a variety of reasons, without prior notice. The information in this publication is provided "as is" at the date specified on the front cover. (Updates will not be issued automatically)

This information is not intended to have any legal effect, whether by way of advice, representation or warranty (express or implied). Hilti (Gt Britain) Ltd accepts no liability whatsoever (to the extent permitted by law) if you place any reliance on this publication and you must do so at your own risk.

RETURNS AND CANCELLATIONS

Subject to condition 6.3 of the Company's Terms and Conditions, Goods supplied pursuant to the Contract cannot be returned without the Company's prior written authorisation. Duly authorised returns:

- shall be sent to the Company's premises at the Buyer's expense;
- may be subject to a handling charge of £10 or 20% Hilti Gt. Britain Ltd) of the value of the Goods, whichever amount is the greater; and
- Must be in the same condition as originally supplied to the Buyer.
- The Buyer may not cancel an order of the Goods including but without limitation, any Goods that involve special requirements of the Buyer once the order has been inputted onto the Company's ordering system, without the prior written consent of the Company.

Right of technical and programme changes reserved S.E&O; no liability accepted for printing errors or other deficiencies, earlier catalogues are thus rendered non valid.

Hilti = registered trademark of Hilti Corp. Schaan