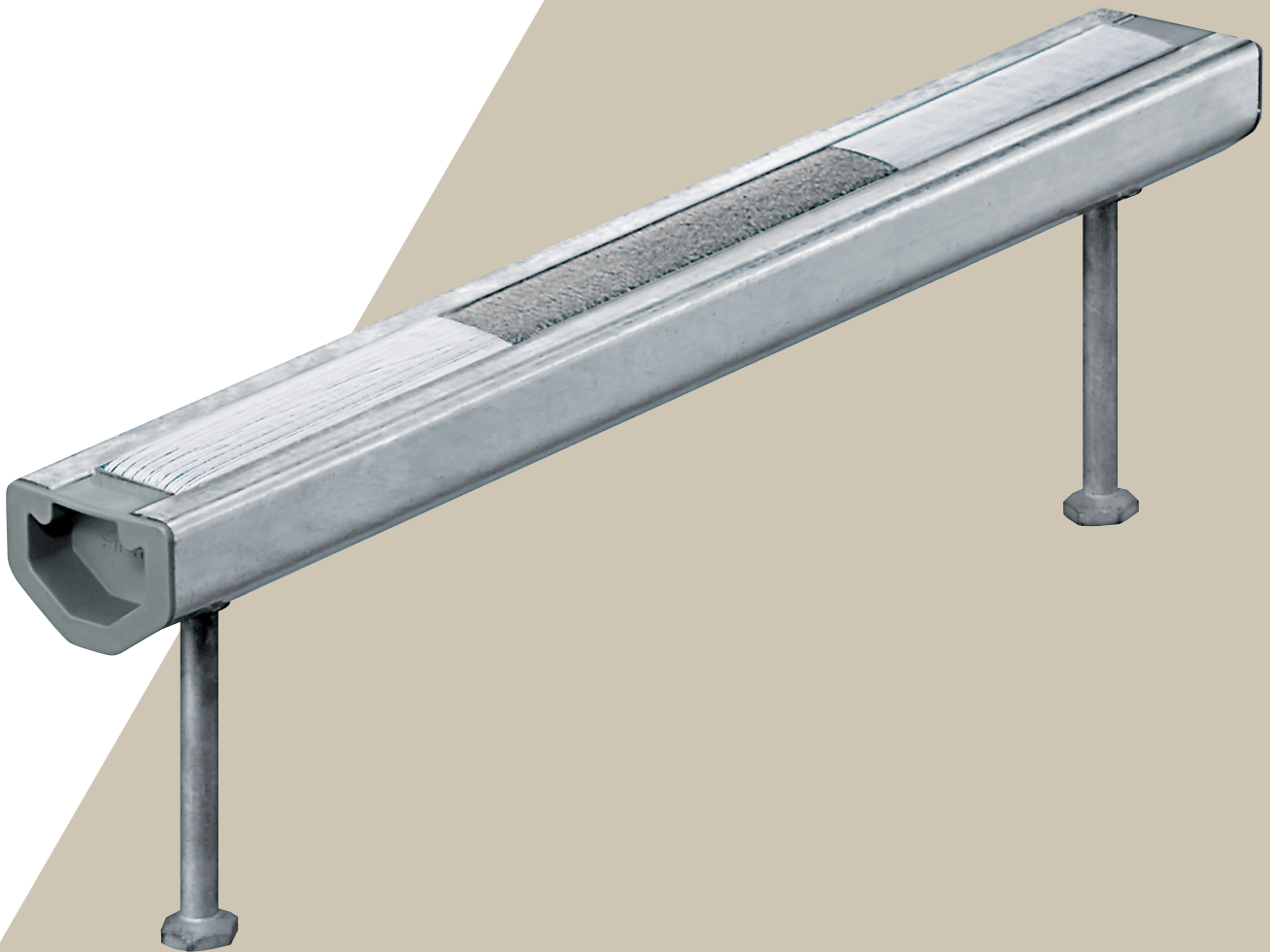




# HAC ANCHOR CHANNELS

European Technical Assessment  
ETA-11/0006 (27.09.2019)



## **HILTI HAC ANCHOR CHANNELS**

---

### **Disclaimer**

This European Technical Assessment is only valid for original Hilti products manufactured by Hilti with specifications described in this document. It is your responsibility to verify the suitability of a product for your specific application.

### **Allgemeine Hinweise**

Diese Europäische Technische Bewertung gilt nur für Original-Hilti-Produkte, die von Hilti mit den in diesem Dokument beschriebenen Spezifikationen hergestellt wurden. Es liegt in der Verantwortung des Anwenders, die Eignung eines Produkts für die spezifische Anwendung zu überprüfen.

Approval body for construction products  
and types of construction

Bautechnisches Prüfamt

An institution established by the Federal and  
Laender Governments



## European Technical Assessment

**ETA-11/0006**  
**of 27 September 2019**

English translation prepared by DIBt - Original version in German language

### General Part

Technical Assessment Body issuing the  
European Technical Assessment:

Deutsches Institut für Bautechnik

Trade name of the construction product

Hilti anchor channels (HAC) with channel bolts (HBC)

Product family  
to which the construction product belongs

Anchor channels

Manufacturer

Hilti AG  
Feldkircherstraße 100  
9494 Schaan  
FÜRSTENTUM LIECHTENSTEIN

Manufacturing plant

Hilti Werke

This European Technical Assessment  
contains

29 pages including 3 annexes which form an integral part  
of this assessment

This European Technical Assessment is  
issued in accordance with Regulation (EU)  
No 305/2011, on the basis of

EAD 330008-03-0601

This version replaces

ETA-11/0006 issued on 18 July 2018

The European Technical Assessment is issued by the Technical Assessment Body in its official language. Translations of this European Technical Assessment in other languages shall fully correspond to the original issued document and shall be identified as such.

Communication of this European Technical Assessment, including transmission by electronic means, shall be in full. However, partial reproduction may only be made with the written consent of the issuing Technical Assessment Body. Any partial reproduction shall be identified as such.

This European Technical Assessment may be withdrawn by the issuing Technical Assessment Body, in particular pursuant to information by the Commission in accordance with Article 25(3) of Regulation (EU) No 305/2011.

## Specific Part

### 1 Technical description of the product

The Hilti anchor channel (HAC) with channel bolts (HBC) is a system consisting of V-shaped channel profile of carbon steel and at least two metal anchors non-detachably fixed to the channel back and channel bolts.

The anchor channel is embedded surface-flush in the concrete. Hilti channel bolts with appropriate hexagon nuts and washers are fixed to the channel.

The product description is given in Annex A.

### 2 Specification of the intended use in accordance with the applicable European Assessment Document

The performances given in Section 3 are only valid if the anchor channel is used in compliance with the specifications and conditions given in Annex B.

The verifications and assessment methods on which this European Technical Assessment is based lead to the assumption of a working life of the anchor channel of at least 50 years. The indications given on the working life cannot be interpreted as a guarantee given by the producer, but are to be regarded only as a means for choosing the right products in relation to the expected economically reasonable working life of the works.

### 3 Performance of the product and references to the methods used for its assessment

#### 3.1 Mechanical resistance and stability (BWR 1)

Essential characteristic	Performance
Characteristic resistance under tension load (static and quasi-static load)	See Annex C1 to C2 and C6
Characteristic resistance under shear load (static and quasi-static load)	See Annex C3 to C4 and C6 to C7
Characteristic resistance under combined tension and shear load (static and quasi-static load)	See Annex C5
Characteristic resistances under cyclic fatigue tension load	See Annex C10 to C11
Displacements (static and quasi-static load)	See Annex C3 and C5
Durability	See Annex B1

#### 3.2 Safety in case of fire (BWR 2)

Essential characteristic	Performance
Reaction to fire	Class A1
Characteristic resistance to fire	See Annex C8 to C9

English translation prepared by DIBt

**4 Assessment and verification of constancy of performance (AVCP) system applied, with reference to its legal base**

In accordance with EAD No. 330008-03-0601, the applicable European legal act is: [2000/273/EC].

The system to be applied is: 1

**5 Technical details necessary for the implementation of the AVCP system, as provided for in the applicable EAD**

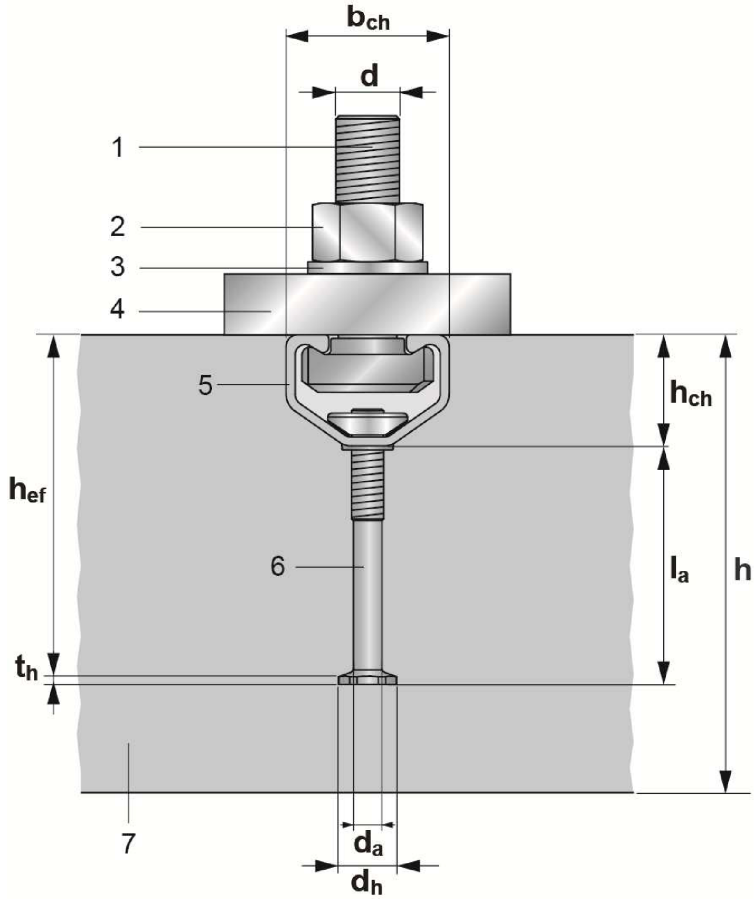
Technical details necessary for the implementation of the AVCP system are laid down in the control plan deposited with Deutsches Institut für Bautechnik.

Issued in Berlin on 27 September 2019 by Deutschen Institut für Bautechnik

BD Dipl.-Ing. Andreas Kummerow  
Head of Department

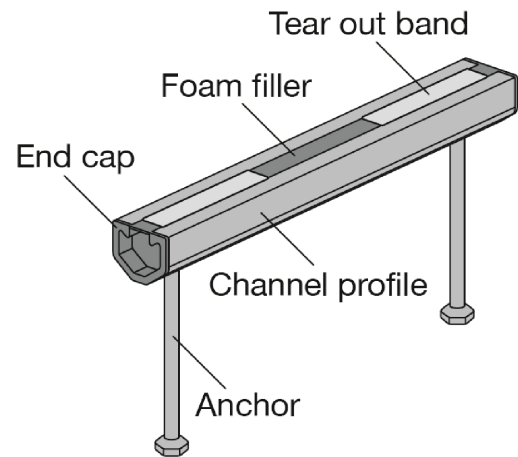
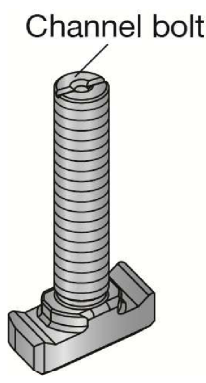
*beglaubigt:*  
Müller

Product and installation condition



Key

- 1 channel bolt
- 2 hexagonal nut
- 3 washer
- 4 fixture
- 5 channel profile
- 6 anchor
- 7 concrete member

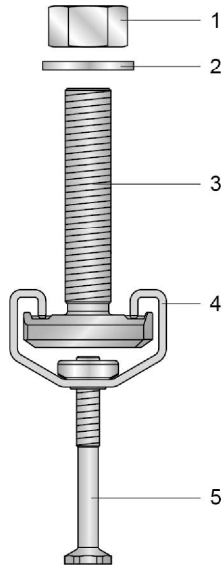


Hilti anchor channels (HAC) with channel bolts (HBC)

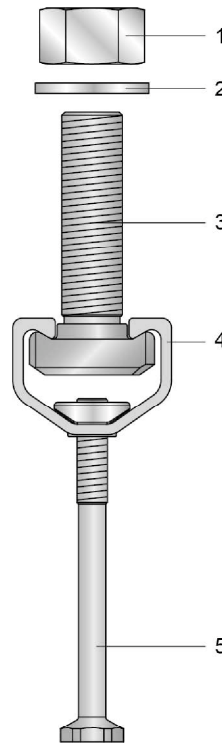
Product Description  
Installed condition

Annex A1

### Anchor channel types



HAC-30F  
with HBC-B



HAC-40F, HAC-(T)50F, HAC-60F, HAC-(T)70F  
with HBC-C, HBC-C-E, HBC-C-N and HBC-T

#### Key

- 1 hexagonal nut
- 2 washer
- 3 channel bolt
- 4 channel profile
- 5 anchor

#### Marking of the Hilti anchor channel: HAC-(T)XZ

- HAC = Identifying mark of the manufacturer  
(**H**ilti **A**nchor **C**hannel)
- T = Additional marking for serrated channels
- X = Size of the channel
- Z = Corrosion class

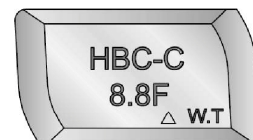


(e.g. HAC-40F)

- 40 = Anchor channel size 40
- F = Hot dip galvanized

#### Marking of the Hilti channel bolt: HBC-X(N)YZ

- HBC = Identifying mark of the manufacturer  
(**H**ilti **B**olt **C**hannel)
- X = Type of channel bolt
- N = Additional marking for notching bolt
- Y = Steel grade
- Z = Corrosion class



(e.g. HBC-C 8.8F)

- C = Channel bolt type in combination with  
HAC-40 to HAC-70
- 8.8 = Steel grade
- F = Hot dip galvanized

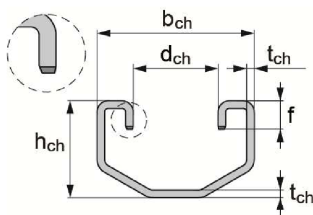
#### Hilti anchor channels (HAC) with channel bolts (HBC)

**Product Description**  
Anchor channel types and marking

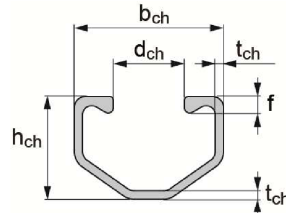
Annex A2



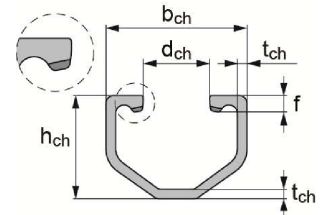
## Anchor Channels



HAC-30  
(serrated)



HAC-40, HAC-50, HAC-60, HAC-70



HAC-T50, HAC-T70  
(serrated)

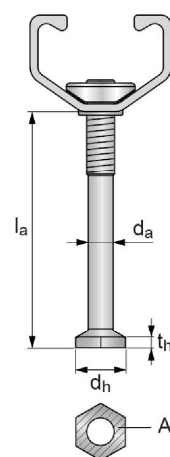
Table 1: Dimensions of channel profile

Anchor channel	$b_{ch}$	$h_{ch}$	$t_{ch}$	$d_{ch}$	$f$	$I_y$
	[mm]					[mm <sup>4</sup> ]
HAC-30	41,3	25,6	2,00	22,3	7,5	15349
HAC-40	40,9	28,0	2,25	19,5	4,5	21463
HAC-50	41,9	31,0	2,75	19,5	5,3	33125
HAC-T50	41,9	31,0	2,75	19,5	5,2	32049
HAC-60	43,4	35,5	3,50	19,5	6,3	57930
HAC-70	45,4	40,0	4,50	19,5	7,4	95457
HAC-T70	45,4	40,0	4,50	19,5	7,1	92192

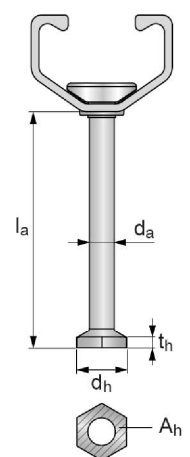
Table 2: Dimensions of anchor  
(welded or bolted to the channel profile)

Anchor channel	$d_a$	$d_h$	$t_h$	min $l_a$	Head area $A_h$
	[mm]				[mm <sup>2</sup> ]
HAC-30	5,4	11,5	2,0	44,4	89
HAC-40	7,2	17,5	3,0	66,0	209
HAC-50	9,0	19,5	3,5	78,5	258
HAC-T50	9,0	19,5	3,5	78,5	258
HAC-60	9,0	19,5	4,5	117,0	258
HAC-70	10,9	23,0	5,0	140,0	356
HAC-T70	10,9	23,0	5,0	140,0	356

bolted anchor



welded anchor



### Hilti anchor channels (HAC) with channel bolts (HBC)

**Product Description**  
Anchor channels (HAC)

Annex A3

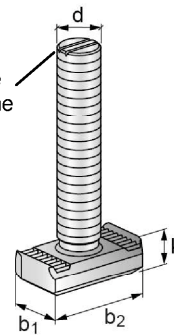
## Channel bolts

Table 3: Dimensions of channel bolt

Anchor channel	Channel bolt type	Dimensions			
		b <sub>1</sub>	b <sub>2</sub>	k	d
		[mm]			
HAC-30	HBC-B	19,0	34,0	9,2	10
					12
HAC-40 HAC-50	HBC-C-E	14,0 17,0	33,0	10,4 13,4	12
					16
HAC-40 HAC-50 HAC-60 HAC-70	HBC-C	14,0	33,0	10,4	10
					12
	HBC-C-N	18,5	33,0	11,4	16
					20
HAC-T50 HAC-T70	HBC-T	18,5	35,4	12,0	12
					16
					20

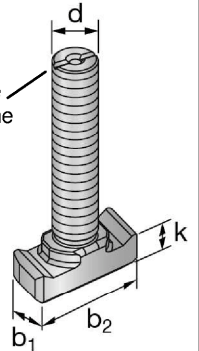
HBC-B

Single groove for marking the position



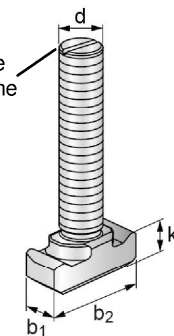
HBC-C-E

Single groove for marking the position



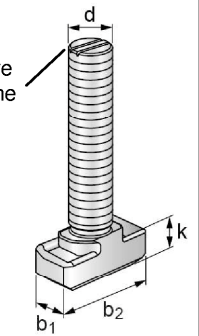
HBC-C

Single groove for marking the position



HBC-C-N

Double groove for marking the position



HBC-T

Single groove for marking the position

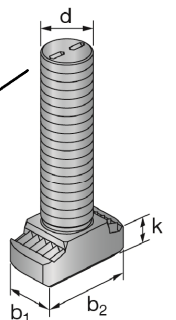


Table 4: Steel grade and corrosion protection

Channel Bolt	Carbon steel <sup>1)</sup>		Stainless steel <sup>1)</sup>
	4.6	8.8	
Steel grade	4.6	8.8	A4-50
f <sub>uk</sub> [N/mm <sup>2</sup> ]	400	800 / 830 <sup>2)</sup>	500
f <sub>yk</sub> [N/mm <sup>2</sup> ]	240	640 / 660 <sup>2)</sup>	210
Corrosion protection	G <sup>3)</sup> F <sup>4)</sup>		R

<sup>1)</sup> Material properties according to Annex A5

<sup>2)</sup> Material properties according to EN ISO 898-1

<sup>3)</sup> Electroplated

<sup>4)</sup> Hot dip galvanized

Hilti anchor channels (HAC) with channel bolts (HBC)

Product Description  
Channel bolts (HBC)

Annex A4

**Table 5: Materials**

Component	Carbon steel			Stainless steel
	Material properties	Coating		Material properties
1	2a	2b	2c	3
Channel Profile	Carbon steel according to EN 10025: 2004	Hot dip galvanized $\geq 55 \mu\text{m}$ <sup>1)</sup> Hot dip galvanized $\geq 70 \mu\text{m}$ <sup>2)</sup> according to EN ISO 1461: 2009		-
Rivet	Carbon steel	Hot dip galvanized $\geq 45 \mu\text{m}$ <sup>5)</sup> according to EN ISO 1461: 2009		-
Anchor	Carbon steel	Hot dip galvanized $\geq 45 \mu\text{m}$ <sup>5)</sup> according to EN ISO 1461: 2009		-
Channel bolt	Steel grade 4.6 and 8.8 according to EN ISO 898-1: 2013	Electroplated $\geq 8 \mu\text{m}$ according to DIN EN ISO 4042: 1999	Hot dip galvanized $\geq 45 \mu\text{m}$ <sup>5)</sup> according to EN ISO 1461: 1999	Steel grade 50 according to EN ISO 3506-1: 2009 1.4401 / 1.4404 / 1.4571 / 1.4362 / 1.4578 / 1.4439
Plain washer <sup>3)</sup> according to EN ISO 7089: 2000 and EN ISO 7093-1: 2000	Hardness class A $\geq 200$ HV	Electroplated $\geq 8 \mu\text{m}$	Hot dip galvanized $\geq 45 \mu\text{m}$ <sup>5)</sup>	Hardness class A $\geq 200$ HV 1.4401 / 1.4404 / 1.4571 / 1.4362 / 1.4578 / 1.4439
Hexagonal nut according to EN ISO 4032: 2012 or DIN 934: 1987-10 <sup>4)</sup>	Property class 8 according to EN ISO 898-2: 2012	Electroplated $\geq 8 \mu\text{m}$	Hot dip galvanized $\geq 45 \mu\text{m}$ <sup>5)</sup>	Property class 70 according to EN ISO 3506-2: 2009 1.4401 / 1.4404 / 1.4571 / 1.4362 / 1.4578 / 1.4439

<sup>1)</sup> For HAC-30F, HAC-40F and HAC-(T)50F.

<sup>2)</sup> For HAC-60F and HAC-(T)70F.

<sup>3)</sup> Not in scope of delivery.

<sup>4)</sup> Hexagonal nuts according to DIN 934: 1987-10 for channel bolts made from carbon steel (4.6) and stainless steel.

<sup>5)</sup> Hot dip galvanized according to EN ISO 1461: 2009.

**Hilti anchor channels (HAC) with channel bolts (HBC)**

**Product Description**  
Materials

Annex A5

## Specifications of intended use

### Anchor channels and channel bolts subject to:

- Static and quasi-static loads in tension and shear perpendicular to the longitudinal axis of the channel for HAC in combination with HBC-C and HBC-C-E as well as static and quasi-static loads in tension, shear perpendicular to the longitudinal axis of the channel and shear in the direction of the longitudinal axis of the channel for HAC in combination with HBC-B, HBC-C-N and HAC-T in combination with HBC-T.
- Fatigue cyclic tension loads.
- Fire exposure: only for concrete class C20/25 to C50/60.

### Base materials:

- Reinforced or unreinforced normal weight concrete according to EN 206-1: 2000.
- Strength classes C12/15 to C90/105 according to EN 206-1: 2000.
- Cracked or uncracked concrete.

### Use conditions (Environmental conditions):

- Structures subject to dry internal conditions (e.g. accommodations, bureaus, schools, hospitals, shops, exceptional internal conditions with usual humidity) (anchor channels and channel bolts according to Annex A5, Table 5, column 2 and 3).
- Structures subject to internal conditions with usual humidity (e.g. kitchen, bath and laundry in residential buildings, exceptional permanent damp conditions and application under water) (anchor channels and channel bolts according to Annex A5, Table 5, column 2c and 3).
- The stainless steel Hilti channel bolts (HBC), washers and nuts may be used in structures subject to external atmospheric conditions (including industrial and marine environment) or exposure in permanently damp internal conditions, if no particular aggressive conditions (e.g. permanent, alternating immersion in seawater or the splash zone of seawater, chloride atmosphere of indoor swimming pools or atmosphere with chemical pollution e.g. desulphurization plants or road tunnels where de-icing materials are used) exist (channel bolts according to Annex A5, Table 5, column 3).

### Design:

- Anchor channels are designed under the responsibility of an engineer experienced in anchorages and concrete work.
- Verifiable calculation notes and drawings are prepared taking account of the loads to be anchored. The position of the anchor channel and channel bolts are indicated on the design drawings (e.g. position of the anchor channel relative to the reinforcement or to supports).
- For static and quasi-static loading as well as fire exposure the anchor channels are designed in accordance with EOTA TR 047 "Design of Anchor Channels", March 2018 or EN 1992-4: 2018.
- For fatigue loading the anchor channels are designed in accordance with EOTA TR 050 "Calculation Method for the Performance of Anchor Channels under Fatigue Loading", November 2015.
- The characteristic resistances are calculated with the minimum effective embedment depth.

## Hilti anchor channels (HAC) with channel bolts (HBC)

Intended Use  
Specifications

Annex B1

**Installation:**

- The installation of anchor channels is carried out by appropriately qualified personnel under the supervision of the person responsible for the technical matters on site.
- Use of the anchor channels only as supplied by the manufacturer - without any manipulations, repositioning or exchanging of channel components.
- Cutting of anchor channels is allowed only if pieces according to Annex B3, Table 6 are generated including end spacing and minimum channel length and only to be used in dry internal conditions.
- Installation in accordance with the installation instructions given in Annexes B5, B6, B7, B8 and B9.
- The anchor channels are fixed on the formwork, reinforcement or auxiliary construction such that no movement of the channels will occur during the time of laying the reinforcement and of placing and compacting the concrete.
- The concrete under the head of the anchors are properly compacted. The channels are protected from penetration of concrete into the internal space of the channels.
- Washer may be chosen according to Annex A5 and provided separately by the user.
- Orientating the channel bolt (groove according to Annex B6, B7, B8 and B9) rectangular to the channel axis.
- The required installation torques given in Annex B3 and B4 must be applied and must not be exceeded.

**Hilti anchor channels (HAC) with channel bolts (HBC)**

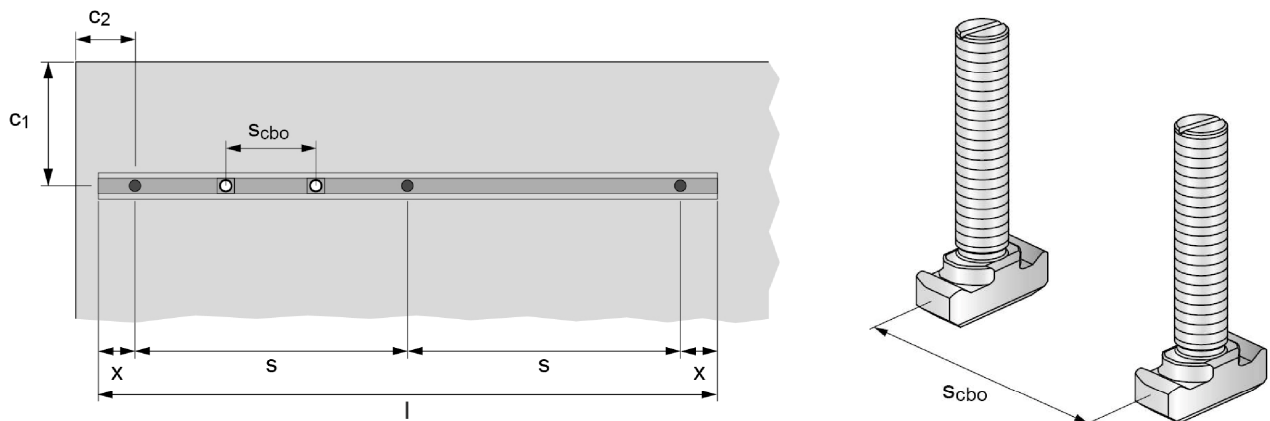
**Intended Use**  
Specifications

Annex B2

**Table 6: Installation parameters for anchor channel**

Anchor channel		HAC-30	HAC-40	HAC-50	HAC-T50	HAC-60	HAC-70	HAC-T70	
Min. effective embedment depth	$h_{ef,min}$	68	91	106	106	148	175	175	
Min. spacing	$s_{min}$	50	100						
Maximum spacing	$s_{max}$	250							
End spacing	$x$	25							
Min. channel length	$l_{min}$	100	150						
Min edge distance	$c_{min}$	50				75			
Minimum thickness of concrete member	$h_{min}$	80	105	125	125	168	196	196	
		$h_{ef} + t_h + c_{nom}^{1)}$							

<sup>1)</sup>  $c_{nom}$  according to EN 1992-1-1:2004 + AC: 2010



**Table 7: Minimum spacing for channel bolts**

Channel bolt		M10	M12	M16	M20
Minimum spacing between channel bolts	$s_{cbo,min}$ [mm]	50	60	80	100

$s_{cbo}$  = center to center spacing between channel bolts ( $s_{cbo,min} = 5d$ )

**Table 8: Required installation torque  $T_{inst}$  for HBC-B**

Channel bolt		$T_{inst}$ [Nm] <sup>1)</sup>	
		General	Steel-steel contact
		HAC-30	HAC-30
M10	4.6, A4-50	15	15
M12	4.6, A4-50	25	25

**Hilti anchor channels (HAC) with channel bolts (HBC)**

**Intended Use**

Installation parameters for anchor channels (HAC) and channel bolts (HBC)

Annex B3

**Table 9: Required installation torque  $T_{inst}$  for HBC-C and HBC-C-E**

Channel bolt		$T_{inst}$ [Nm] <sup>1)</sup>							
		General				Steel-steel contact			
		HAC-40	HAC-50	HAC-60	HAC-70	HAC-40	HAC-50	HAC-60	HAC-70
M10	4.6, A4-50	15				15			
	8.8	15				48			
M12	4.6, A4-50	25				25			
	8.8	25				75			
M16	4.6, A4-50	60				60			
	8.8	60				185			
M20	4.6, A4-50	70	105	120		120			
	8.8	70	105	120		320			

**Table 10: Required installation torque  $T_{inst}$  for HBC-C-N**

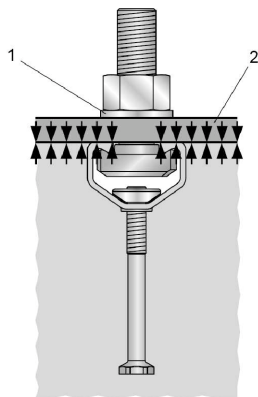
Channel bolt		$T_{inst}$ [Nm] <sup>1)</sup>							
		General				Steel-steel contact			
		HAC-40	HAC-50	HAC-60	HAC-70	HAC-40	HAC-50	HAC-60	HAC-70
M12	8.8	75				75			
M16	8.8	185				185			
M20	8.8	-	320			-	320		

**Table 11: Required installation torque  $T_{inst}$  for HBC-T**

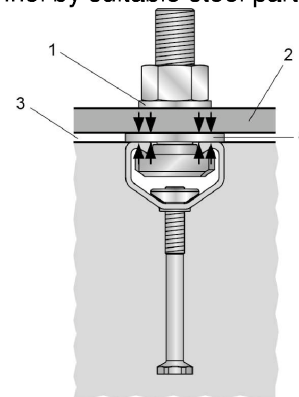
Channel bolt		$T_{inst}$ [Nm] <sup>1)</sup>			
		General		Steel-steel contact	
		HAC-T50	HAC-T70	HAC-T50	HAC-T70
M12	8.8	75		75	
M16	8.8	100		185	
M20	8.8	120		320	

<sup>1)</sup>  $T_{inst}$  must not be exceeded.

**General:** The fixture is in contact with the channel profile and the concrete surface



**Steel-steel contact:** The fixture is not in contact with the concrete surface. The fixture is fastened to the anchor channel by suitable steel part (e.g. washer).



**Key**

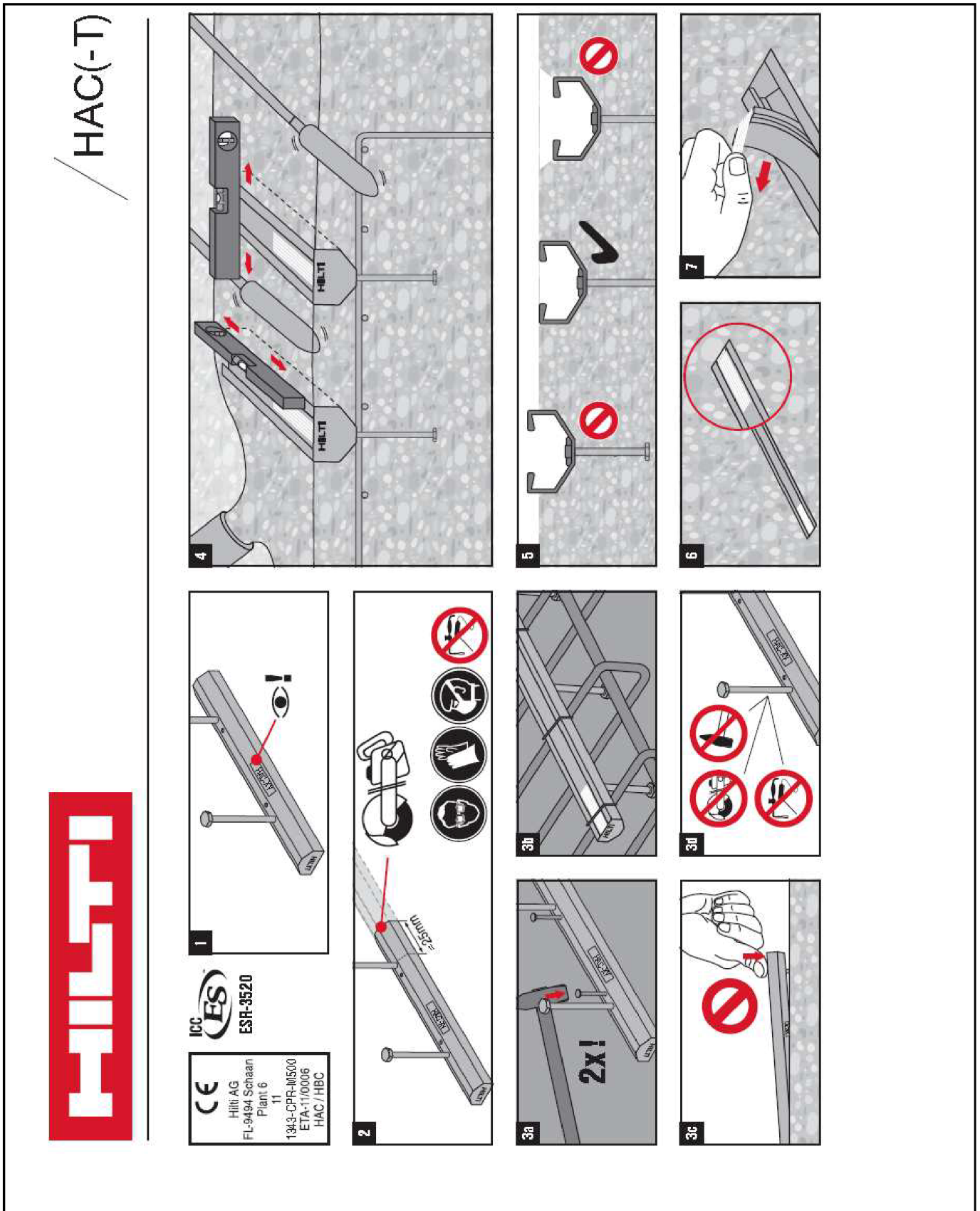
- 1 washer
- 2 fixture
- 3 gap
- 4 suitable steel part

**Hilti anchor channels (HAC) with channel bolts (HBC)**

**Intended Use**

Installation parameters for channel bolts (HBC)

Annex B4



HAC(-T)



ICC  
ES  
ESR-3520

CE  
Hilti AG  
FL-9494 Schaarn  
Plant 6  
11  
1383-CPR-10500  
ETA-11/0006  
HAC / HBC

**Hilti anchor channels (HAC) with channel bolts (HBC)**

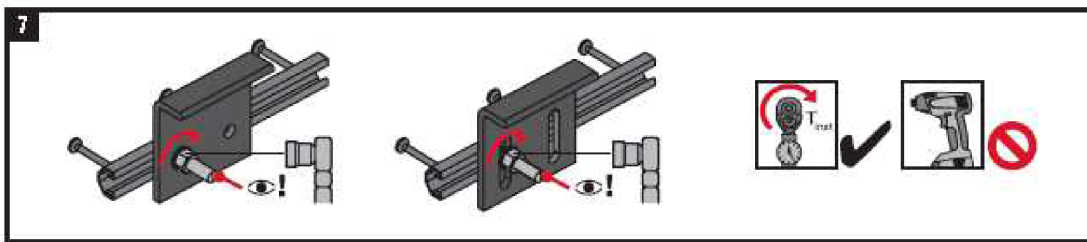
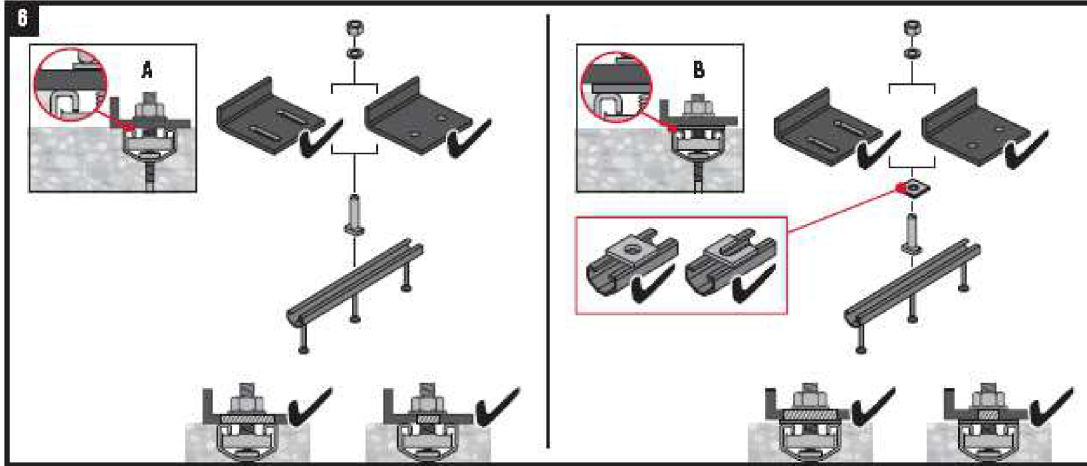
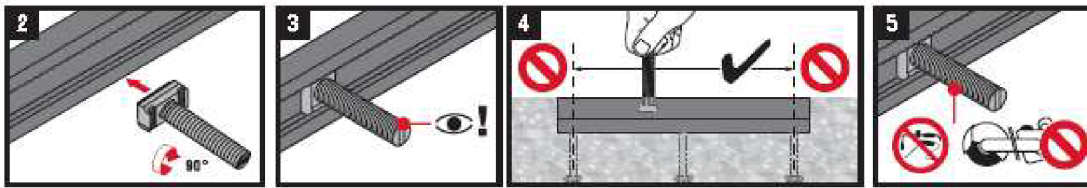
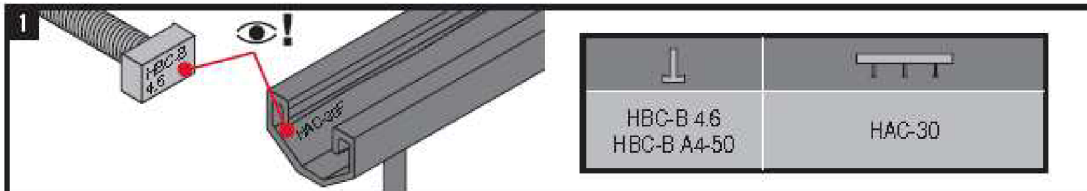
**Intended Use**  
Installation instructions for anchor channels (HAC and HAC-T)

Annex B5





/ HBC-B



		T <sub>inst</sub>	
		A	B
		HAC-30	HAC-30
M10	4.6, A4-50	15 Nm / 11 ft-lb	15 Nm / 11 ft-lb
M12	4.6, A4-50	25 Nm / 19 ft-lb	25 Nm / 19 ft-lb

T<sub>inst</sub> is the installation torque that shall be applied with a torque wrench and must not be exceeded.

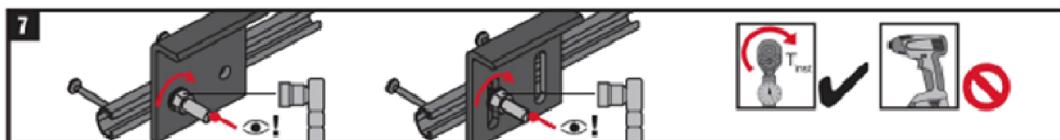
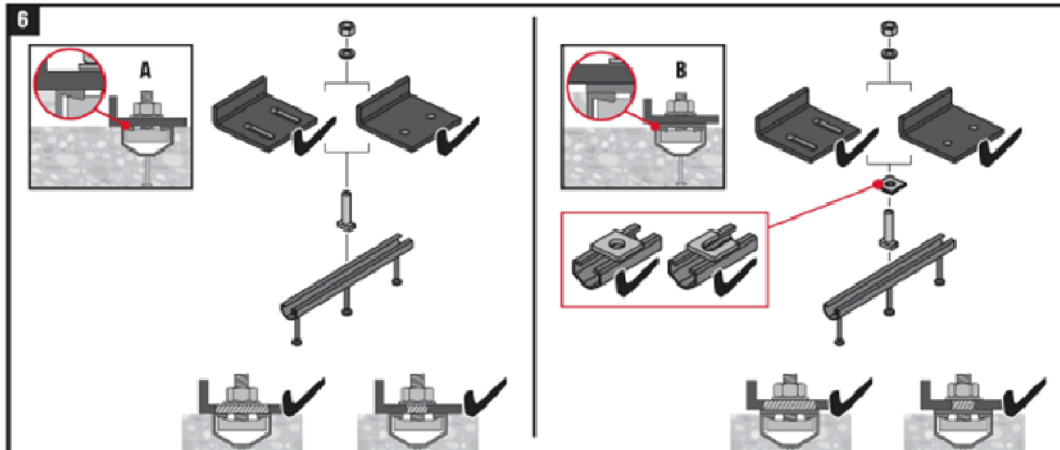
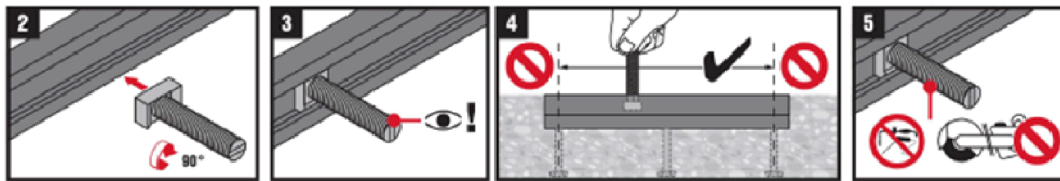
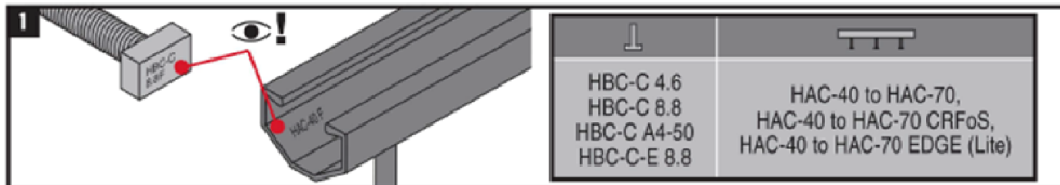
**Hilti anchor channels (HAC) with channel bolts (HBC)**

**Intended Use**  
Installation parameters for channel bolts (HBC-B)

Annex B6



/ HBC-C(-E)



		T <sub>inst</sub>							
		A				B			
		HAC-40	HAC-50	HAC-60	HAC-70	HAC-40	HAC-50	HAC-60	HAC-70
M10	4.6, A4-50		15 Nm / 11 ft-lb				15 Nm / 11 ft-lb		
	8.8		15 Nm / 11 ft-lb				48 Nm / 35 ft-lb		
M12	4.6, A4-50		25 Nm / 19 ft-lb				25 Nm / 19 ft-lb		
	8.8		25 Nm / 19 ft-lb				75 Nm / 55 ft-lb		
M16	4.6, A4-50		60 Nm / 44 ft-lb				60 Nm / 44 ft-lb		
	8.8		60 Nm / 44 ft-lb				185 Nm / 136 ft-lb		
M20	4.6, A4-50	70 Nm / 52 ft-lb	105 Nm / 78 ft-lb	120 Nm / 89 ft-lb		120 Nm / 89 ft-lb			
	8.8	70 Nm / 52 ft-lb	105 Nm / 78 ft-lb	120 Nm / 89 ft-lb		320 Nm / 236 ft-lb			

T<sub>inst</sub> is the installation torque that shall be applied with a torque wrench and must not be exceeded.

**Hilti anchor channels (HAC) with channel bolts (HBC)**

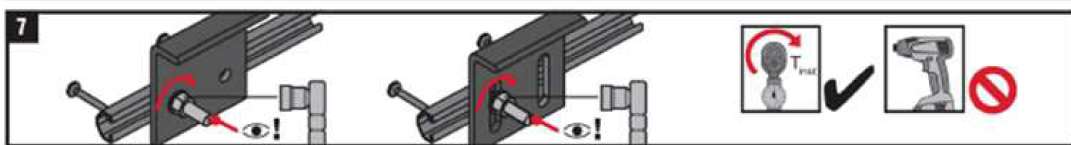
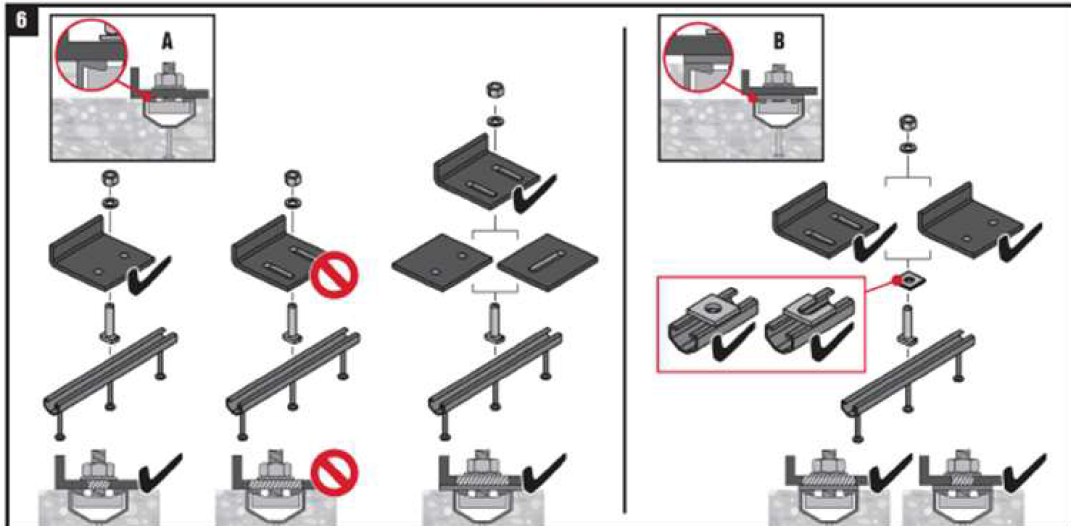
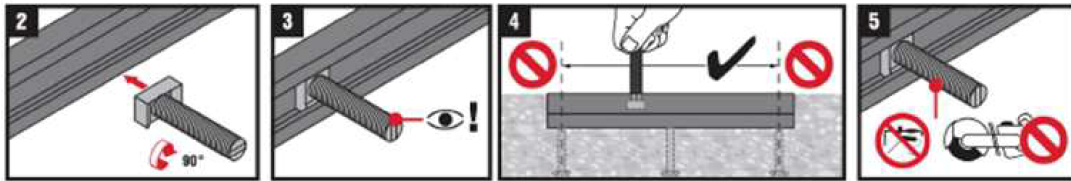
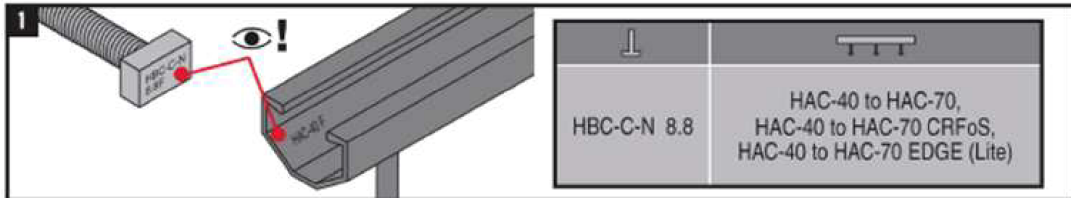
**Intended Use**

Installation parameters for channel bolts (HBC-C and HBC-C-E)

Annex B7



# HBC-C-N



		T <sub>inst</sub>							
		A				B			
		HAC-40	HAC-50	HAC-60	HAC-70	HAC-40	HAC-50	HAC-60	HAC-70
M12	8.8		75 Nm / 55 ft-lb				75 Nm / 55 ft-lb		
M16	8.8		185 Nm / 136 ft-lb				185 Nm / 136 ft-lb		
M20	8.8	-	320 Nm / 236 ft-lb			-	320 Nm / 236 ft-lb		

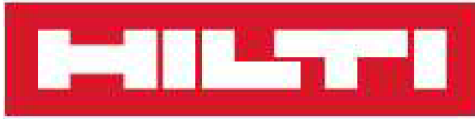
T<sub>inst</sub> is the installation torque that shall be applied with a torque wrench and must not be exceeded.

## Hilti anchor channels (HAC) with channel bolts (HBC)

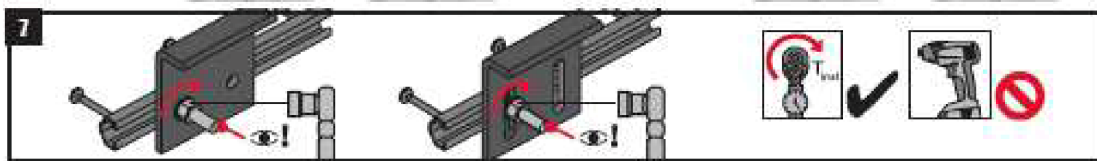
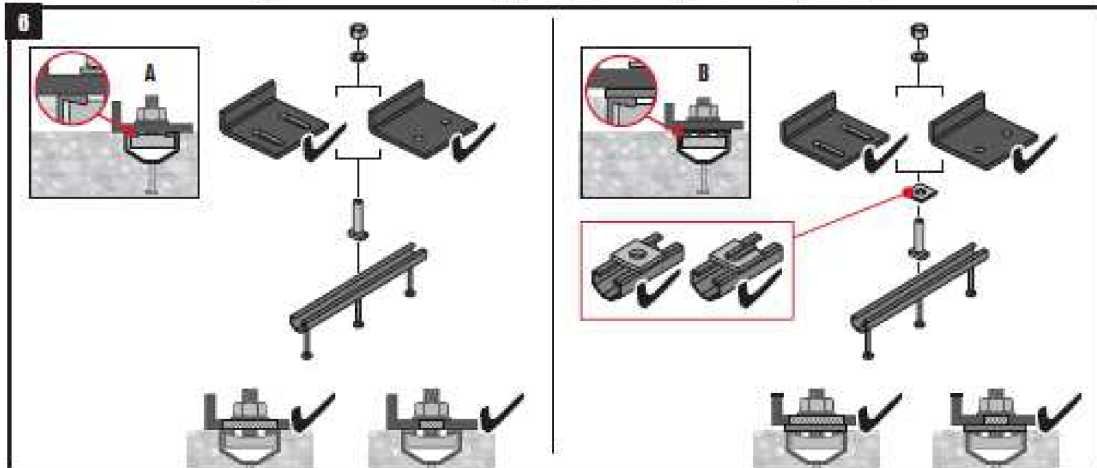
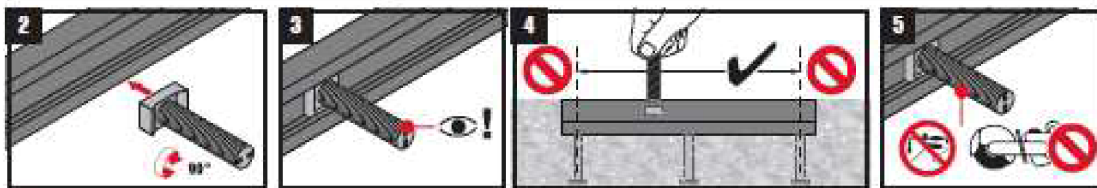
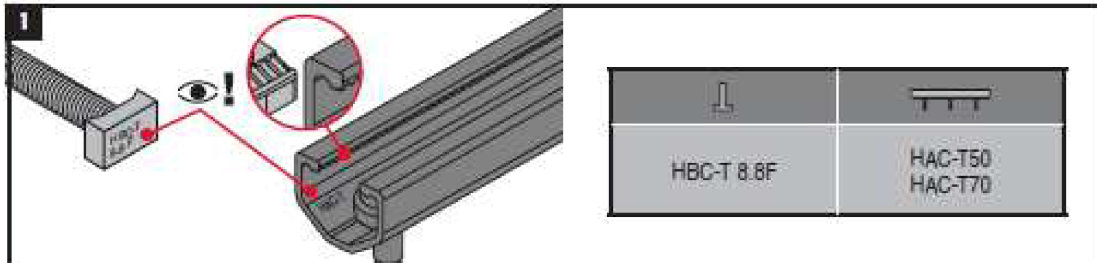
### Intended Use

Installation instructions for channel bolts (HBC-C-N)

Annex B8



HBC-T



		T <sub>inst</sub> [Nm]			
		A		B	
		HAC-T50	HAC-T70	HAC-T50	HAC-T70
M12	8.8	75 Nm / 55 ft-lb		75 Nm / 55 ft-lb	
M16	8.8	100 Nm / 74 ft-lb		185 Nm / 136 ft-lb	
M20	8.8	120 Nm / 89 ft-lb		320 Nm / 236 ft-lb	

T<sub>inst</sub> is the installation torque that shall be applied with a torque wrench and must not be exceeded.

**Hilti anchor channels (HAC) with channel bolts (HBC)**

**Intended Use**

Installation instructions for channel bolts (HBC-T)

Annex B9

**Table 12: Characteristic resistances under tension load – steel failure of anchor channel**

Anchor channel		HAC-30	HAC-40	HAC-50	HAC-T50	HAC-60	HAC-70	HAC-T70
<b>Steel failure: Anchor</b>								
Characteristic resistance	$N_{Rk,s,a}$ [kN]	18,2	33,1	52,5	52,5	52,5	76,3	76,3
Partial factor	$\gamma_{Ms}^{1)}$	1,8						
<b>Steel failure: Connection between anchor and channel</b>								
Characteristic resistance	$N_{Rk,s,c}$ [kN]	18,2	25,0	35,0	35,0	50,1	71,0	71,0
Partial factor	$\gamma_{Ms,ca}^{1)}$	1,8						
<b>Steel failure: Local flexure of channel lips</b>								
Characteristic spacing of channel bolts for $N_{Rk,s,l}$	$S_{l,N}$ [mm]	83	82	84	84	87	91	91
Characteristic resistance	$N_{Rk,s,l}^0$ [kN]	19,9	25,0	35,0	35,0	50,1	71,0	71,0
Partial factor	$\gamma_{Ms,l}^{1)}$	1,8						

<sup>1)</sup> In absence of other national regulations.

**Table 13: Characteristic flexural resistance of channel under tension load**

Anchor channel		HAC-30	HAC-40	HAC-50	HAC-T50	HAC-60	HAC-70	HAC-T70	
<b>Steel failure: Flexure of channel</b>									
Characteristic flexural resistance of channel	$M_{Rk,s,flex}$ [Nm]	HBC-B	755	-	-	-	-	-	
		HBC-C	-	1136	1596	-	2187	3160	-
		HBC-C-E	-	1136	1596	-	-	-	-
		HBC-C-N	-	980	1345	-	2156	3005	-
		HBC-T	-	-	-	1596	-	-	2975
Partial factor	$\gamma_{Ms,flex}^{1)}$	1,15							

<sup>1)</sup> In absence of other national regulations.

**Hilti anchor channels (HAC) with channel bolts (HBC)**

**Performance**

Characteristic resistances of anchor channels under tension load

Annex C1

**Table 14: Characteristic resistances under tension load – concrete failure**

Anchor channel			HAC-30	HAC-40	HAC-50	HAC-T50	HAC-60	HAC-70	HAC-T70
<b>Concrete failure: Pull-out failure</b>									
Characteristic resistance in cracked concrete C12/15		$N_{Rk,p}$ [kN]	8,0	18,8	23,2	23,2	23,2	32,0	32,0
Characteristic resistance in uncracked concrete C12/15			11,2	26,3	32,5	32,5	32,5	44,9	44,9
Factor for $N_{Rk,p}$	C16/20	$\Psi_c$	1,33						
	C20/25		1,67						
	C25/30		2,08						
	C30/37		2,50						
	C35/45		2,92						
	C40/50		3,33						
	C45/55		3,75						
	C50/60		4,17						
	C55/67		4,58						
	≥ C60/75		5,00						
Partial factor		$\gamma_{Mp}$ = $\gamma_{Mc}^{1)}$	1,5						
<b>Concrete failure: Concrete cone failure</b>									
Product factor $k_1$	cracked	$k_{Cr,N}$	7,7	8,0	8,2	8,2	8,6	8,9	8,9
	un-cracked	$k_{Ucr,N}$	11,0	11,5	11,7	11,7	12,3	12,7	12,7
Partial factor		$\gamma_{Mc}^{1)}$	1,5						
<b>Concrete failure: Splitting</b>									
Characteristic edge distance		$c_{Cr,sp}$ [mm]	204	273	318	318	444	525	525
Characteristic spacing		$s_{Cr,sp}$ [mm]	$2,0 \cdot c_{Cr,sp}$						
Partial factor		$\gamma_{Msp}$ = $\gamma_{Mc}^{1)}$	1,5						

<sup>1)</sup> In absence of other national regulations.

**Hilti anchor channels (HAC) with channel bolts (HBC)**

**Performance**

Characteristic resistances of anchor channels under tension load

Annex C2

**Table 15: Displacements under tension load**

Anchor channel		HAC-30	HAC-40	HAC-50	HAC-T50	HAC-60	HAC-70	HAC-T70
Tension load	N [kN]	6,6	11,3	14,3	14,7	18,8	26,6	25,2
Short-term displacement <sup>1)</sup>	$\delta_{N0}$ [mm]	1,6	1,7	1,1	1,7	1,1	1,0	1,5
Long-term displacement <sup>1)</sup>	$\delta_{N\infty}$ [mm]	3,2	3,4	2,2	3,4	2,2	2,0	3,0

<sup>1)</sup> Displacements in midspan of the anchor channel, including slip of channel bolt, deformation of channel lips, bending of the channel and slip of the anchor channel in concrete.

**Table 16: Characteristic resistances under shear load – steel failure of anchor channel**

Anchor channel		HAC-30	HAC-40	HAC-50	HAC-T50	HAC-60	HAC-70	HAC-T70
<b>Steel failure: Anchor</b>								
Characteristic resistance	$V_{Rk,s,a,y}$ [kN]	23,7	39,6	53,6	53,6	77,3	114,8	114,8
	$V_{Rk,s,a,x}$ [kN]	10,2	18,4	29,0	29,0	29,0	41,9	41,9
Partial factor	$\gamma_{Ms}$ <sup>1)</sup>	1,5						
<b>Steel failure: Connection between anchor and channel</b>								
Characteristic resistance	$V_{Rk,s,c,y}$ [kN]	23,7	39,6	53,6	53,6	77,3	114,8	114,8
	$V_{Rk,s,c,x}$ [kN]	9,1	12,5	17,5	17,5	25,1	35,5	35,5
Partial factor	$\gamma_{Ms,ca}$ <sup>1)</sup>	1,8						
<b>Steel failure: Local flexure of channel lips under shear load perpendicular to the longitudinal axis of the channel</b>								
Characteristic spacing of channel bolts for $V_{Rk,s,l}$	$s_{l,v}$ [mm]	83	82	84	84	87	91	91
Characteristic resistance	$V_{Rk,s,l,y}^0$ [kN]	23,7	34,9	47,5	47,5	72,2	95,8	95,8
Partial factor	$\gamma_{Ms,l}$ <sup>1)</sup>	1,8						

<sup>1)</sup> In absence of other national regulations.

**Hilti anchor channels (HAC) with channel bolts (HBC)**

**Performance**

Displacements under tension load.  
Characteristic resistances of anchor channels under shear load

Annex C3

**Table 17: Characteristic resistances under shear load in direction of the longitudinal axis of the channel – steel failure of anchor channel**

Anchor channel		HAC-30	HAC-40	HAC-50	HAC-T50	HAC-60	HAC-70	HAC-T70	
<b>Steel failure: Connection between channel lips and channel bolt</b>									
Characteristic resistance	$V_{Rk,s,l,x}$ [kN]	HBC-B M12 4.6	3,5	-		-		-	
		HBC-C-N M12 8.8	-	8,5	8,5	-	8,5	8,5	
		HBC-C-N M16 8.8	-	19,7	19,7	-	19,7	19,7	
		HBC-C-N M20 8.8	-	-	24,1	-	24,1	24,1	
		HBC-T M12 8.8	-	-	-	15,1	-	-	15,1
		HBC-T M16 8.8	-	-	-	20,1	-	-	20,1
		HBC-T M20 8.8	-	-	-	20,1	-	-	20,1
Installation factor	$\gamma_{inst}$	1,4			1,2	1,4		1,2	

**Table 18: Characteristic resistances under shear load – concrete failure**

Anchor channel		HAC-30	HAC-40	HAC-50	HAC-T50	HAC-60	HAC-70	HAC-T70
<b>Concrete failure: Pry out failure</b>								
Product factor	$k_g$	2,0						
Partial factor	$\gamma_{Mc}^{1)}$	1,5						
<b>Concrete failure: Concrete edge failure</b>								
Product factor $k_{12}$	cracked concrete	$k_{cr,v}$	7,5	7,5	7,5	7,5	7,5	7,5
	un-cracked concrete	$k_{ucr,v}$	10,5	10,5	10,5	10,5	10,5	10,5
Partial factor	$\gamma_{Mc}^{1)}$	1,5						

<sup>1)</sup> In absence of other national regulations

**Hilti anchor channels (HAC) with channel bolts (HBC)**

**Performance**

Characteristic resistances of anchor channels under shear load

Annex C4



**Table 19: Displacements under shear load perpendicular to longitudinal axis of the channel**

Anchor channel		HAC-30	HAC-40	HAC-50	HAC-T50	HAC-60	HAC-70	HAC-T70
Shear load	$V_y$ [kN]	8,0	13,9	18,9	21,0	29,0	38,0	45,6
Short-term displacement <sup>1)</sup>	$\delta_{V,y,0}$ [mm]	1,0	1,0	1,5	2,7	1,5	1,5	2,4
Long-term displacement <sup>1)</sup>	$\delta_{V,y,\infty}$ [mm]	1,5	1,5	2,3	4,1	2,3	2,3	3,6

<sup>1)</sup> Displacements in midspan of the anchor channel, including slip of channel bolt, deformation of channel lips and slip of the anchor channel in concrete.

**Table 20: Displacements under shear load in direction of the longitudinal axis of the channel**

Anchor channel		HAC-30	HAC-40	HAC-50	HAC-T50	HAC-60	HAC-70	HAC-T70	
Channel bolt		HBC-B	HBC-C-N		HBC-T	HBC-C-N		HBC-T	
Shear load	$V_x$ [kN]	M12	1,4	3,4		6,7	3,4		6,7
		M16	-	7,8		8,9	7,8		8,9
		M20	-	-	9,6	8,9	9,6		8,9
Short-term displacement <sup>1)</sup>	$\delta_{V,x,0}$ [mm]	M12	0,1	0,05		1,4	0,05		1,4
		M16	-	0,4		1,7	0,4		1,7
		M20	-	-	0,1	1,7	0,1		1,7
Short-term displacement <sup>1)</sup>	$\delta_{V,x,\infty}$ [mm]	M12	0,2	0,1		2,1	0,1		2,1
		M16	-	0,6		2,5	0,6		2,5
		M20	-	-	0,2	2,5	0,2		2,5

<sup>1)</sup> Displacements of the anchor channel, including slip of channel bolt, deformation of channel lips and slip of the anchor channel in concrete.

**Table 21: Characteristic resistances under combined tension and shear load**

Anchor channel		HAC-30	HAC-40	HAC-50	HAC-T50	HAC-60	HAC-70	HAC-T70
<b>Steel failure: Local flexure of channel lips and flexure of channel</b>								
Product factor	$k_{13}$	Values according to EN 1992-4: 2018, Section 7.4.3.1 or EOTA TR 047, Section B.6.3.1.3						
<b>Steel failure: Anchor and connection between anchor and channel</b>								
Product factor	$k_{14}$	Values according to EN 1992-4: 2018, Section 7.4.3.1 or EOTA TR 047, Section B.6.3.1.4						

**Hilti anchor channels (HAC) with channel bolts (HBC)**

**Performance**

Displacements under shear load.  
Characteristic resistances under combined tension and shear load

Annex C5

**Table 22: Characteristic resistances under tension and shear load – steel failure of Hilti channel bolts HBC-B, HBC-C, HBC-C-E, HBC-C-N and HBC-T**

Channel bolt diameter				M10	M12	M16	M20	
<b>Steel failure</b>								
Characteristic resistance	$N_{Rk,s}$ <sup>2)</sup>	[kN]	HBC-B	4.6	23,2	33,7	-	-
				A4-50 <sup>1)</sup>	29,0	42,2	-	-
			HBC-C HBC-C-E	4.6	23,2	33,7	62,8	98,0
				8.8	46,4	67,4	125,6	174,3
				A4-50 <sup>1)</sup>	29,0	42,2	78,5	122,5
			HBC-C-N	8.8	-	67,4	125,6	174,3
			HBC-T	8.8	-	67,4	125,6	177,4
Partial factor		$\gamma_{Ms}$ <sup>3)</sup>		4.6	2,0			
				8.8	1,5			
				A4-50 <sup>1)</sup>	2,86			
Characteristic resistance	$V_{Rk,s}$ <sup>2)</sup>	[kN]	HBC-B	4.6	13,9	20,2	-	-
				A4-50 <sup>1)</sup>	17,4	25,3	-	-
			HBC-C HBC-C-E	4.6	13,9	20,2	37,7	58,8
				8.8	23,2	33,7	62,8	101,7
				A4-50 <sup>1)</sup>	17,4	25,3	47,1	73,5
			HBC-C-N	8.8	-	33,7	62,8	101,7
			HBC-T	8.8	-	33,7	62,8	101,7
Partial factor		$\gamma_{Ms}$ <sup>3)</sup>		4.6	1,67			
				8.8	1,25			
				A4-50 <sup>1)</sup>	2,38			

<sup>1)</sup> Materials according to Table 5, Annex A5

<sup>2)</sup> In conformity with EN ISO 898-1

<sup>3)</sup> In absence of other national regulations

**Hilti anchor channels (HAC) with channel bolts (HBC)**

**Performance**

Characteristic resistances of channel bolts under tension and shear load

Annex C6

**Table 23: Characteristic resistances under shear load with lever arm – steel failure of Hilti channel bolts HBC-B, HBC-C, HBC-C-E, HBC-C-N and HBC-T**

Channel bolt diameter				M10	M12	M16	M20	
<b>Steel failure</b>								
Characteristic flexure resistance	$M^0_{Rk,s}$ <sup>3)</sup>	[Nm]	HBC-B	4.6	29,9	52,4	-	-
				A4-50 <sup>1)</sup>	37,4	65,5	-	-
			HBC-C HBC-C-E	4.6	29,9	52,4	133,2	259,6
				8.8	59,8	104,8	266,4	538,7
				A4-50 <sup>1)</sup>	37,4	65,5	166,5	324,5
			HBC-C-N	8.8	-	104,8	266,4	538,7
HBC-T	8.8	-	104,8	266,4	538,7			
Partial factor		$\gamma_{Ms}$ <sup>2)</sup>		4.6	1,67			
				8.8	1,25			
				A4-50 <sup>1)</sup>	2,38			
Internal lever arm	a	[mm]	HBC-B	4.6, A4-50	25	27	-	-
			HBC-C HBC-C-E	4.6, 8.8, A4-50	24	26	28	30
			HBC-C-N	8.8	-	26	28	30
			HBC-T	8.8	-	26	28	30

<sup>1)</sup> Materials according to Table 5, Annex A5.

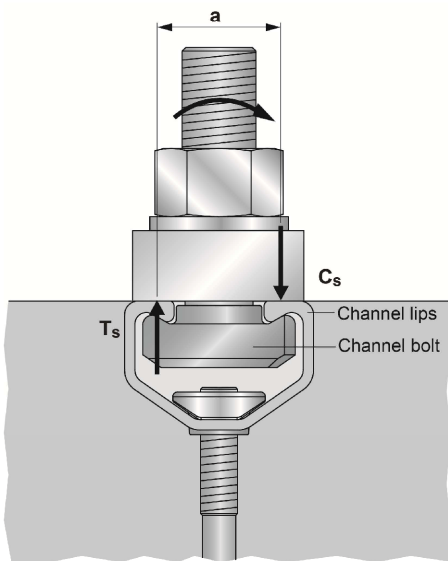
<sup>2)</sup> In absence of other national regulations.

<sup>3)</sup> The characteristic flexure resistance according to Table 23 is limited as follows:

$$M^0_{Rk,s} \leq 0,5 \cdot N_{Rk,s,l} \cdot a \quad (N_{Rk,s,l} \text{ according to Table 12) and}$$

$$M^0_{Rk,s} \leq 0,5 \cdot N_{Rk,s} \cdot a \quad (N_{Rk,s} \text{ according to Table 22)}$$

a = internal lever arm according Table 23



$T_s$  = tension force acting on the channel lips

$C_s$  = compression force acting on the channel lips

**Hilti anchor channels (HAC) with channel bolts (HBC)**

**Performance**

Characteristic resistances of channel bolts under shear load with lever arm

Annex C7

**Table 24: Characteristic resistance under fire exposure – steel failure**

Channel bolt				M10	M12	M16	M20			
<b>Steel failure of anchor, connection between anchor and channel, local flexure of channel lip</b>										
Characteristic resistance under fire exposure	HAC-30	R60	$N_{Rk,s,fi}$ = $V_{Rk,s,fi}$	[kN]	1,3	1,8	-	-		
		R90			0,9	1,1				
		R120			0,7	0,8				
	HAC-40	R60			1,7	2,4	2,4	2,4		
		R90			1,3	1,8	1,8	1,8		
		R120			1,0	1,5	1,5	1,5		
	HAC-50	R60			1,7	2,4	4,0	4,0		
		R90			1,3	1,8	2,4	2,4		
		R120			1,0	1,5	1,6	1,6		
	HAC-60	R60			1,7	2,4	4,0	4,7		
		R90			1,3	1,8	2,4	3,0		
		R120			1,0	1,5	1,6	2,1		
	HAC-70	R60			1,7	2,4	4,0	4,7		
		R90			1,3	1,8	2,4	3,0		
		R120			1,0	1,5	1,6	2,1		
	Partial safety factor				$\gamma_{Ms,fi}$ <sup>1)</sup>	[-]	1,0			

<sup>1)</sup> In absence of other national regulations

**Hilti anchor channels (HAC) with channel bolts (HBC)**

**Performance**

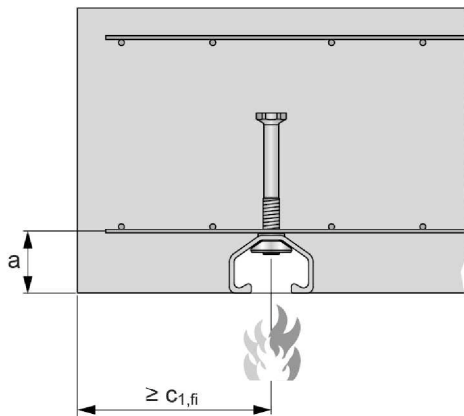
Characteristic resistances of anchor channels and channel bolts under fire exposure

Annex C8

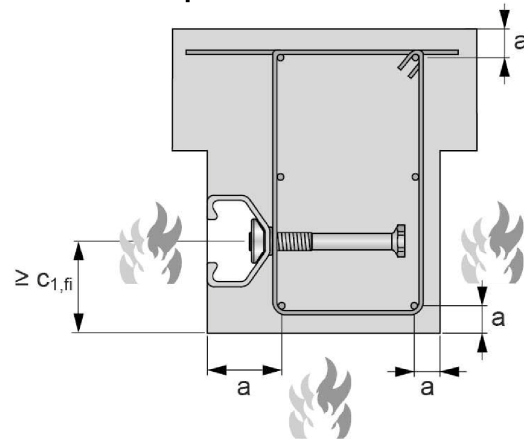
**Table 25: Minimum axis distance**

Anchor channel				HAC-30	HAC-40	HAC-50	HAC-60	HAC-70
Min. axis distance	R60	a	[mm]	35	35	50	50	50
	R90			45	45			
	R120			60	60	60	65	70

**Fire exposure from one side only**



**Fire exposure from more than one side**



**Hilti anchor channels (HAC) with channel bolts (HBC)**

**Performance**

Characteristic resistances of anchor channels and channel bolts under fire exposure

Annex C9

**Table 26: Combination of anchor channels and channel bolts under fatigue tension load**

Anchor channel	Channel bolt type	Diameter	Steel grade	Corrosion protection
HAC-30	HBC-B	M10	4.6	G <sup>1)</sup> F <sup>2)</sup>
		M12		
HAC-40	HBC-C	M12	4.6	
		M16	8.8	
		M20		
HAC-50		M16	4.6	
		M20	8.8	
HAC-60		M16	4.6	
	M20	8.8		
HAC-70	M20	4.6	8.8	

<sup>1)</sup> Electroplated

<sup>2)</sup> Hot-dip galvanized

**Table 27: Characteristic resistances under fatigue tension load - steel failure with n load cycles without static preload ( $N_{Ed} = 0$ ) (Design method I according to EOTA TR 050)**

Anchor channel		HAC-30	HAC-40	HAC-50	HAC-60	HAC-70
<b>Steel failure</b>	n	$\Delta N_{Rk,s,0,n}$ [kN]				
Characteristic resistances under fatigue tension load without static preload	$\leq 10^6$	1,76	1,57	2,66	3,54	6,44
	$\leq 3 \cdot 10^6$	1,60	1,50	2,60	3,50	6,40
	$\leq 10^7$					
	$\leq 3 \cdot 10^7$					
	$\leq 6 \cdot 10^7$					
	$> 6 \cdot 10^7$					

**Hilti anchor channels (HAC) with channel bolts (HBC)**

**Performance**

Characteristic resistances under fatigue cyclic tension load

Annex C10

**Table 28: Reduction factor  $\eta_{c,fat}$  with n load cycles without static preload ( $N_{Ed} = 0$ )  
(Design method I according to EOTA TR 050)**

Anchor channel		HAC-30	HAC-40	HAC-50	HAC-60	HAC-70
<b>Pull-out failure</b> <b>Concrete cone failure</b>	n	$\eta_{c,fat} [-]$				
Reduction factor for	$\leq 10^6$	0,600				
$\Delta N_{Rk,p;0;n} = \eta_{c,fat} \cdot N_{Rk,p}$ $\Delta N_{Rk,c;0;n} = \eta_{c,fat} \cdot N_{Rk,c}$	$\leq 3 \cdot 10^6$	0,571				
with $N_{Rk,p}$ according to Annex C2 and $N_{Rk,c}$ calculated according to EOTA TR 047, March 2018 or EN 1992-4: 2018	$\leq 10^7$	0,542				
	$\leq 3 \cdot 10^7$	0,516				
	$\leq 6 \cdot 10^7$	0,500				
	$> 6 \cdot 10^7$					

**Table 29: Characteristic resistances under fatigue tension load with  $n \rightarrow \infty$  load cycles without static preload ( $N_{Ed} = 0$ ) (Design method II according to EOTA TR 050)**

Anchor channel		HAC-30	HAC-40	HAC-50	HAC-60	HAC-70
<b>Steel failure</b>						
$\Delta N_{Rk,s;0;\infty}$	[kN]	1,6	1,5	2,6	3,5	6,4
<b>Concrete cone and pull-out failure</b>						
$\eta_{c,fat}$	[-]	0,5				

For the reduction of the characteristic resistances given in Tables 27 and 28 in the transition zone from the static resistance to the fatigue limit resistance the partial safety factors are calculated as follows:

$$\gamma_{M,fat,n} = \gamma_{M,fat} + (\gamma_M - \gamma_{M,fat}) \cdot (\Delta N_{Rk,n} - \Delta N_{Rk,\infty}) / (N_{Rk} - \Delta N_{Rk,\infty})$$

In absence of other national regulations the following safety factors  $\gamma_M$  and  $\gamma_{M,fat}$  are recommended for design method I according to EOTA TR 050:

$\gamma_M$  according Annex C1

$$\gamma_{M,fat} = 1,35$$

In absence of other national regulations the following safety factor  $\gamma_{M,fat}$  is recommended for design method II (Table 29) according to EOTA TR 050:

$$\gamma_{M,fat} = 1,35$$

**Hilti anchor channels (HAC) with channel bolts (HBC)**

**Performance**

Characteristic resistances under fatigue cyclic tension load

Annex C11



Hilti Aktiengesellschaft  
9494 Schaan, Liechtenstein  
P +423-234-2111

[www.facebook.com/hiltigroup](https://www.facebook.com/hiltigroup)  
[www.hilti.com](http://www.hilti.com)