



IDP

Insulation fastener

Technical Datasheet

Update: Jan-23



IDP Insulation fastener

Anchor version



IDP

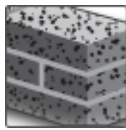
Benefits

- for insulation up to 15 cm
- simple setting

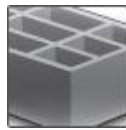
Base material



Concrete
(non-cracked)

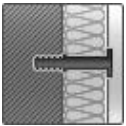


Solid brick



Hollow brick

Other information



Fastening of
insulation at the
wall only

Basic loading data (for a single anchor)

All data in this section applies to:

- Correct setting (see setting instruction)
- No edge distance and spacing influence
- Base material as specified in table
- Minimum base material thickness

Anchorage depth

Anchor	IDP
Overall plastic anchor embedment depth in the base material h_{nom} [mm]	25

Recommended loads ^{a)}

Base material	IDP
Concrete \geq C16/20 N_{rec} [kN]	0,14
Solid clay brick Mz 20 – 1,8 – NF N_{rec} [kN]	0,14
Solid sand-lime brick KS 12 – 1,6 – 2DF N_{rec} [kN]	0,14
Hollow clay brick Hlz 12 – 0,8 – 6DF N_{rec} [kN]	0,04 ^{b)}
Hollow sand-lime brick KSL 12 – 1,4 – 3DF N_{rec} [kN]	0,04

a) With overall global safety factor $\gamma = 5$ to the characteristic loads and a partial safety factor of $\gamma = 1,4$ to the design values.

b) Drilling without hammering

Materials

Material quality

Part	Material
Anchor with plate	Polypropylene

Setting information

Installation temperature range:

0°C to +40°C

Service temperature range

Hilti IDP insulation fastener may be applied in the temperature ranges given below.

Service temperature range

Temperature range	Base material temperature	Maximum long term base material temperature	Maximum short term base material temperature
Temperature range I	0 °C to +40 °C	+24 °C	+40 °C

Maximum short-term base material temperature

Short-term elevated base material temperatures are those that occur over brief intervals, e.g. because of diurnal cycling.

Maximum long-term base material temperature

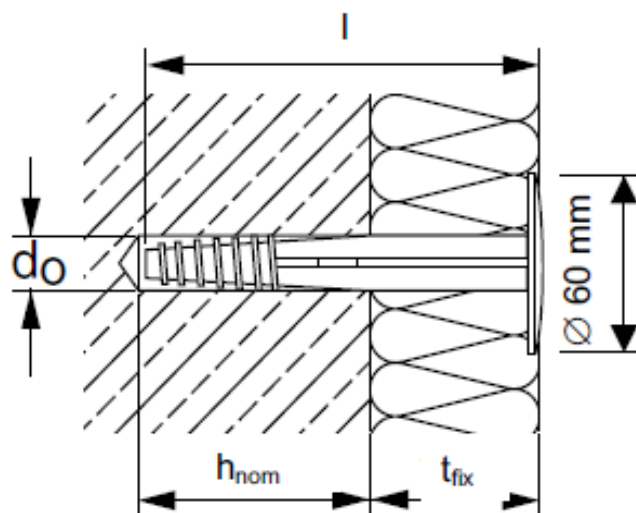
Long-term elevated base material temperatures are roughly constant over significant periods of time.

The anchor shall not be exposed to UV-radiation for more than 6 weeks

Setting information

Setting details

Anchor size			0/2	2/4	4/6	6/8	8/10	10/12	13/15
Nominal diameter	d_0	[mm]	8						
Cutting diameter of drill bit	$d_{cut} \leq$	[mm]	8,45						
Depth of drill hole	$h_1 \geq$	[mm]	$l - t_{fix} + 10\text{mm} \geq 40\text{mm}$						
Nominal anchorage depth	h_{nom}	[mm]	25						
Anchor length	l	[mm]	50	70	90	110	130	150	180
Maximum thickness of fixture	t_{fix}	[mm]	20	40	60	80	100	120	150



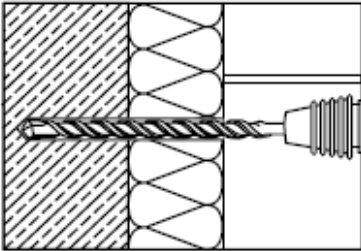


Installation equipment

Anchor size	IDP
Rotary hammer	Corded: HILTI TE 2 – TE 7 Battery: HILTI TE2-A22, TE4-A22, TE6-A36
Other tools	Hammer

Setting instruction*

*For detailed information on installation see instruction for use given with the package of the product.

Setting instructions	
1. Drill hole with drill bit 	2. Tap in fastener with a hammer 